

# SERIES ABR • Air Actuated Ball Valves 1/4", 1 1/2", & 2"



**Series ABRA – Air pressure to open and air pressure to close**

**Series ABRS – Spring return model for normally-closed or normally-open operation**

**Series ABMS – Spring return model with manual override**

## Features:

- All plastic construction ideal for corrosive atmosphere.
- Manual override standard on ABRA & ABMS.
- Easy field attachment to ball valve.
- Long cycle life – extensively tested & proven.
- ABRS and ABMS can be converted between normally-closed and normally-open.
- Lightweight assembly – less piping stress and lower shipping weight.
- Can be hydraulically actuated.

*Each valve and actuator is 100% individually inspected and tested prior to shipment.*

## Installation:

The ABRA requires a 4-way air solenoid valve (Part # 8345G1); and ABRS and ABMS require a 3-way air solenoid valve (Part # 8320G13) to control actuation. Compressed air should be filtered and lubricated. The hex nuts used to mount the actuator are tapped to facilitate piping support.

## Manual Override:

Series ABRA has direct override to the ball valve shaft. Series ABRS has no manual override. Series ABMS is a spring-return model with direct override to the ball valve shaft.

## Materials of Construction:

Actuator is constructed of corrosion resistant thermoplastics. Seals are Buna-N. For optional materials, please consult factory.

### ACTUATOR ONLY – PART NUMBERS, WEIGHTS AND AIR PRESSURE REQUIREMENTS

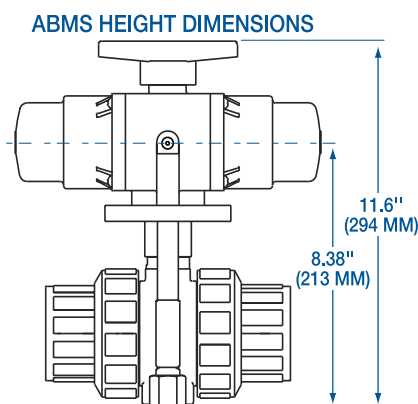
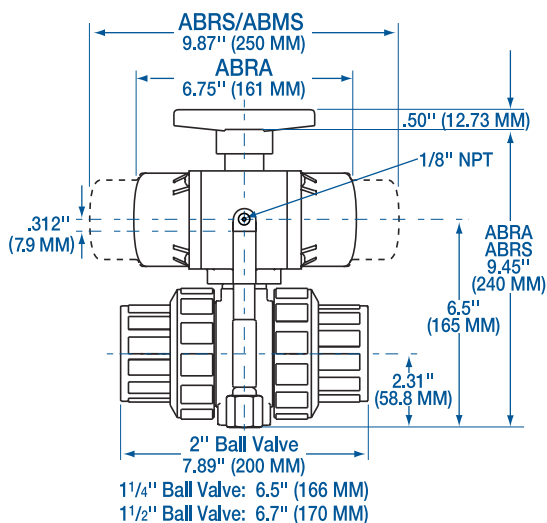
Valve Size NPT or BSP	Actuator Type	Part Number	Weight		Pressure Requirement		Maximum Pressure @ 75°F	
			Lbs.	kg				
ALL 1 1/4", 1 1/2" & 2" BALL VALVES	Air x Air with Manual Override	ABRA	1.5	0.7	30 - 50 PSI	2,1 - 3,5 BAR	80 PSI	5,5 BAR
	Air x Spring without Manual Override	ABRS	2.5	1.1	60 - 80 PSI	4,1 - 5,5 BAR	80 PSI	5,5 BAR
	Air x Spring with Manual Override	ABMS	3.5	1.6	60 - 80 PSI	4,1 - 5,5 BAR	80 PSI	5,5 BAR

Maximum Ambient Temperature 120°F (49°C) ABRS/ABMS shipped "normally-closed". They can be ordered "normally-open".

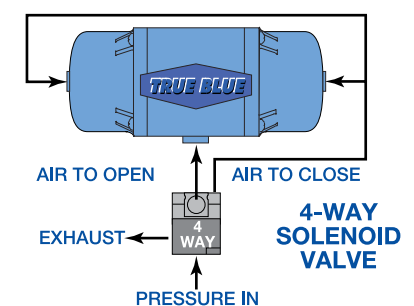
## Part Numbers to order Air x Air Actuator with Valve:

For 1 1/4" pipe size the part # is ABRA125...; 1 1/2" is ABRA150...; 2" is ABRA200...; to complete the part numbers refer to the "Order Information" section on page 5, Manual Ball Valves.

The letters MBV are simply replaced by ABRA (Air x Air), ABRS (Air x Spring) or ABMS (Air x Spring with manual override) as indicated.



## TYPICAL AIR CONNECTIONS ABRA



## TYPICAL AIR CONNECTIONS ABRS/ABMS

