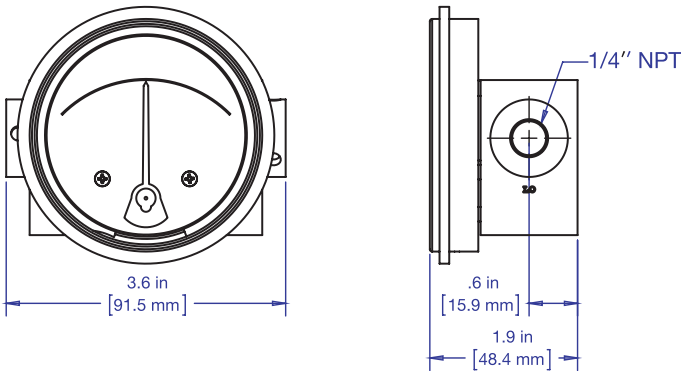


### DIFFERENTIAL PRESSURE GAUGES SERIES DPG/DPGS



DPG / DPGS



#### DIFFERENTIAL PRESSURE GAUGES

Series DPG: Differential Pressure Gauge, 2.5" Dial

Series DPGS: Adjustable Differential Pressure Gauge/Switch, 2.5" Dial

- Quantitative indication of pressure differential across a filter, points of use, etc.
- 1/4" FNPT Connections
- Choice of 0-15 PSID or 0-30 PSID Gauge; accuracy is  $\pm 2\%$  FS
- Corrosion-resistant thermoplastic connections; PVC or CPVC
- EPDM or FKM elastomers
- No wetted metal parts
- Made in USA

Plast-O-Matic differential pressure gauges are designed to measure the difference in pressure between two points in a system and present the resultant differential pressure directly on a single gauge dial. A magnetic movement allows the simultaneous sensing of both pressure points, while completely isolating the gauge function from the pressure chamber. No mechanical seals are required. Each of these devices are engineered for durability and performance. Maximum line pressure rating is 200 PSI.

#### SERIES DPG / DPGS

Connection Size	Gauge Range		Gauge Size	Switch	PVC Model Number
	PSID	BAR			
1/4"	0-15	0-1	2.5"	None	DPG025V-PV-15-2.5
1/4"	0-30	0-2	2.5"	None	DPG025V-PV-30-2.5
1/4"	0-15	0-1	2.5"	SPST - Normally Open	DPGS025V-PV-15-2.5-A
1/4"	0-15	0-1	2.5"	SPST - Normally Closed	DPGS025V-PV-15-2.5-B
1/4"	0-15	0-1	2.5"	SPDT	DPGS025V-PV-15-2.5-C
1/4"	0-30	0-2	2.5"	SPST - Normally Open	DPGS025V-PV-30-2.5-A
1/4"	0-30	0-2	2.5"	SPST - Normally Closed	DPGS025V-PV-30-2.5-B
1/4"	0-30	0-2	2.5"	SPDT	DPGS025V-PV-30-2.5-C

**Notes – Body and Seal Materials:** All part numbers shown are PVC bodies with FKM (Viton) seals. For CPVC bodies, change “-PV” to “-CP”. For EPDM seals, change first “V” to “EP”. For example, DPG025V - becomes DPG025EP.

# JJD

JJ DOWNS INDUSTRIAL PLASTICS INC.



416.236.1884

Toronto, ON

JJDOWNS.COM