

# S4 LABORATORY BALL VALVE, PVC, PVDF

## SPECIFICATIONS:

|                          |            |
|--------------------------|------------|
| Sizes:                   | 1/4" (DN8) |
| Body Materials:          | PVC - PVDF |
| O-rings:                 | EPDM, FPM  |
| Operating pressure:      |            |
| 1/4" 145psi (10 bar)     |            |
| Connections:             |            |
| - Hose nozzle            |            |
| - Double nipple BSP, NPT |            |
| - Plug BSP, NPT          |            |

## Sample Specification:

TYPE PRAHERPVDF Laboratory ball valve S4  
 1/4" (DN6) NPT Hose nozzle NPT Sealing material FPM Ball seating joint PTFE (Teflon®)  
 Max. Operating pressure 10 bar Safety handle system

## FEATURES:

- our "lock and meter" ring enables the ball valve to be positioned in several different locking modes, while providing an additional safety feature against unintentional valve activation.
- lock and meter ring enables locking against unauthorized operation
- compact construction
- low operating forces
- light weight

## Cv value vs opening

|          |      |      |      |       |
|----------|------|------|------|-------|
| Opening  | 25%  | 50%  | 75%  | 100%  |
| Cv Value | 0.31 | 0.62 | 0.92 | 1.213 |

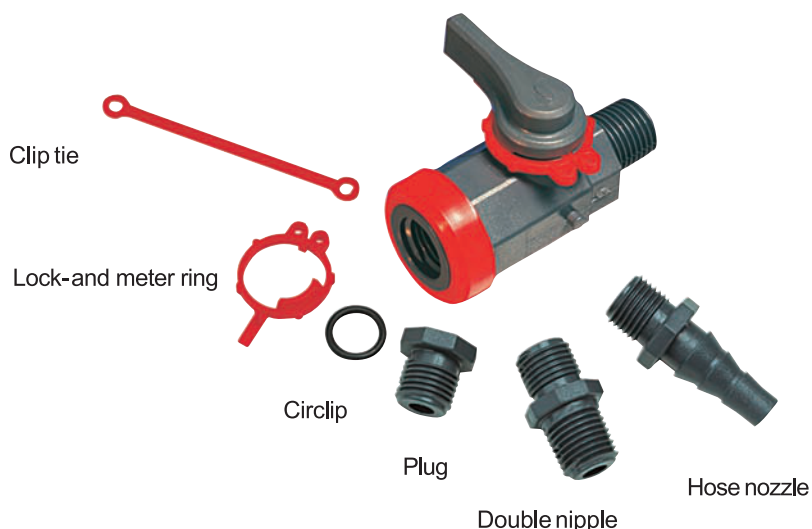
vacuum rating: 29.9 inches mercury

## Working pressures PSI

|          |          |       |       |       |       |
|----------|----------|-------|-------|-------|-------|
| Material | 0-40°C   | 60°C  | 80°C  | 100°C | 120°C |
|          | 32-104°F | 140°F | 176°F | 212°F | 248°F |
| PVC      | 150      | 30    | -     | -     | -     |
| PVDF     | 150      | 90    | 75    | 60    | 35    |

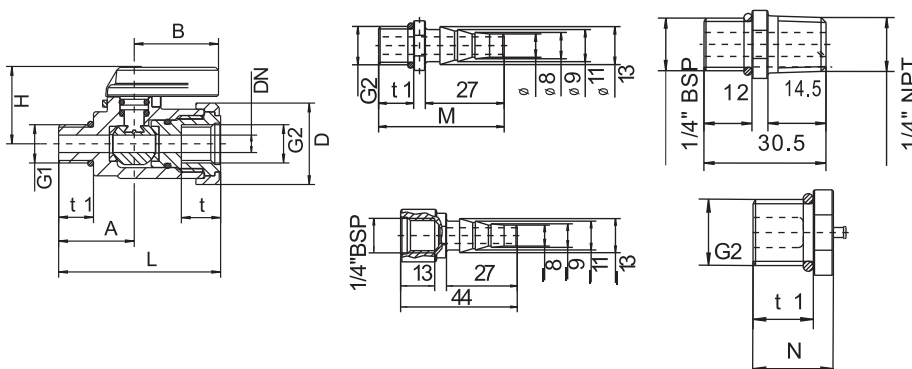
## Temperature Ranges:

PVC 0 to 60°C (32 to 140°F),  
 PVDF -40 to 120°C (-40 to 248°F).



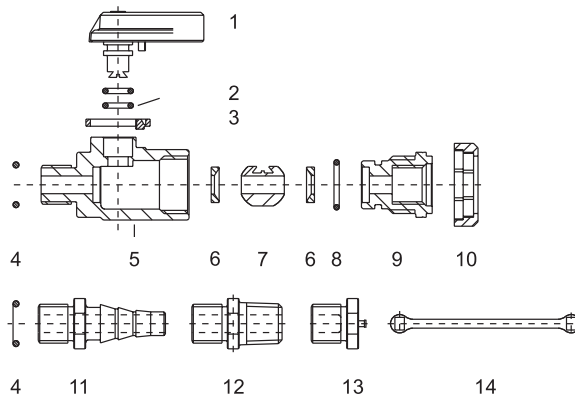
| PVC      |          |      |      |      |      |      | DN | 6    |
|----------|----------|------|------|------|------|------|----|------|
| G1       | G2       | A    | t1   | L    | M    | N    | B  | 29.0 |
| 1/4" BSP | 1/4" BSP | 26,0 | 12,0 | 56,0 | 43,0 | 16,0 | D  | 28,0 |
| 3/8" BSP | 1/4" BSP | 26,0 | 12,0 | 56,0 | 43,0 | 16,0 | H  | 26,5 |
| 1/4" NPT | 1/4" NPT | 28,5 | 14,5 | 58,5 | 45,5 | 18,5 | t  | 13,5 |
| PVDF     |          |      |      |      |      |      | PN | 10   |
| 1/4" BSP | 1/4" BSP | 25,0 | 11,5 | 54,5 | 42,0 | 15,5 |    |      |
| 1/4" NPT | 1/4" NPT | 27,5 | 14,5 | 57,0 | 44,5 | 18,0 |    |      |

dimensions in mm



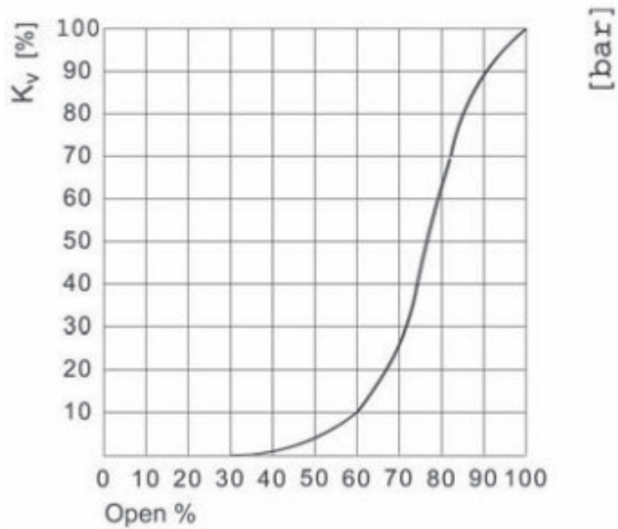
## Parts:

01. Handle
02. O-Ring
03. Lock-and meter ring
04. O-Ring
05. Body
06. Ball seating joint
07. Ball
08. O-Ring
09. Thrust collar
10. Circlip
11. Hose nozzle
12. Double nipple
13. Plug
14. Clip tie

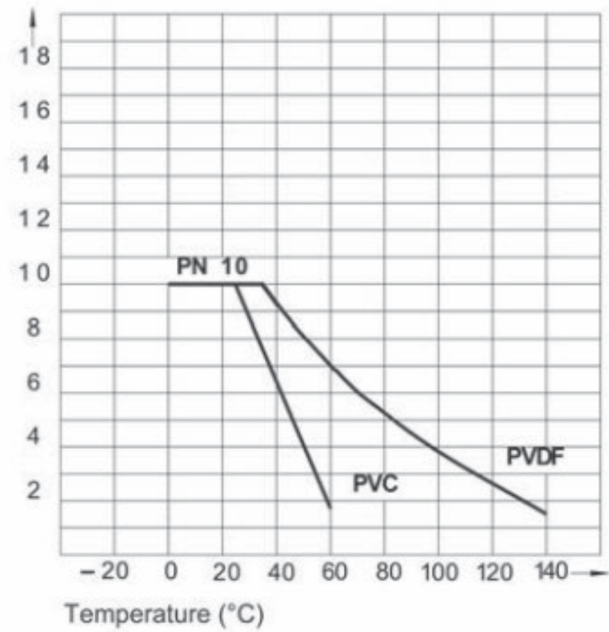


# S4 LABORATORY BALL VALVE, PVC, PVDF

## Flow Characteristics



## Pressure-Temperature Diagram



# JJD

JJ DOWNS INDUSTRIAL PLASTICS INC.



416.236.1884

Toronto, ON

JJDOWNS.COM