

Metric to Inch

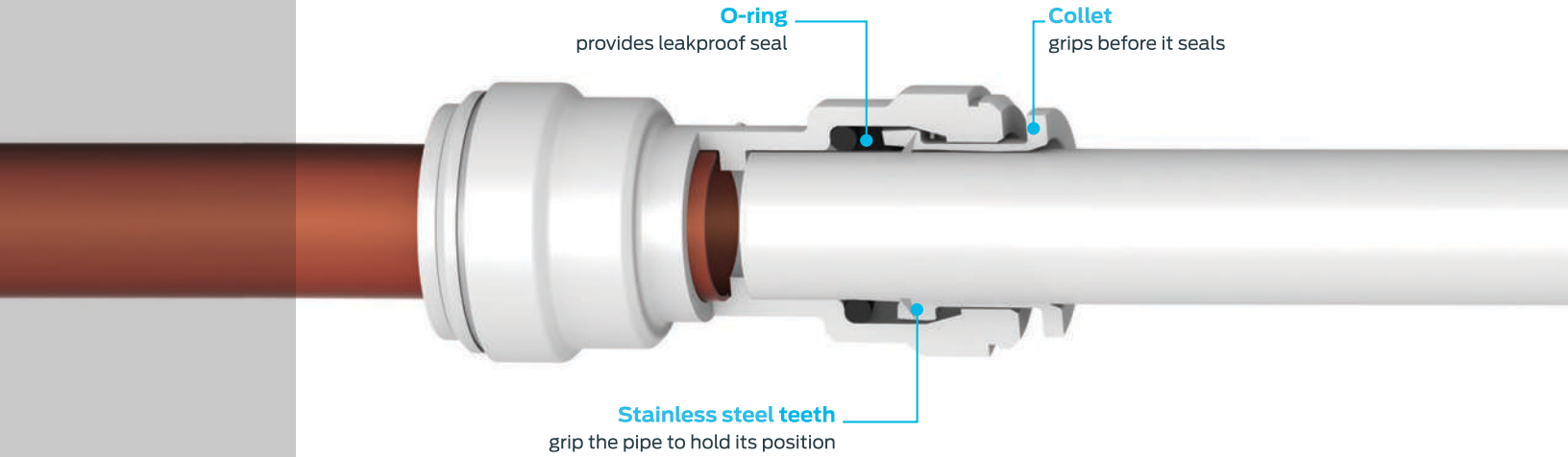
JJD

Fluid System Products

Fittings, Valves & Tubing Catalog



How to make a Push-Fit connection



To connect

Keep product clean until ready to use. Always pressure test once installed.



Step 1

Cut the tube square and remove any burrs or score marks. We recommend using a tube insert for soft or thin-walled plastic tubing.



Step 2

Push the tube into the fitting and up to the tube stop.



Step 3

Pull on the tube to check that it is secure. Test the system before use.

To disconnect



Step 1

Make sure that the system is depressurized, then push the collet square against the fitting. With the collet held in this position, the tube can be removed.



JJ DOWNS INDUSTRIAL PLASTICS INC.

416.236.1884

Toronto, ON



JJDOWNS.COM

Fluid System Fittings Metric to Inch

These fittings are designed to convert applications from metric to inch sizes and are suitable for various applications.

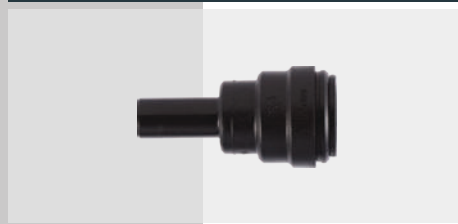
Working pressures and temperatures

Water Max. 150 psi at 70 °F (Max. 10 bar at 20 °C)
 Max. 60 psi at 140 °F (Max. 4 bar at 60 °C)
 Min. 33 °F/1 °C



NOT suitable for compressed air applications.

Stem to Tube Adapter



Part Number	Stem OD	Tube OD	Bag Qty	Box Qty
NC2164	15mm	3/8"	10	200
NC2173	1/2"	15mm	10	100
NC908	1/2"	18mm	10	100

Acetal Union Connector EDPM O-ring



Part Number	Tube OD	Tube OD	Bag Qty	Box Qty
NC2511	15mm	3/8"	10	100

Barb Connector



Part Number	Tube OD	Hose ID	Bag Qty	Box Qty
NC448	15mm	1/2"	10	1000

Conversion Union Connector



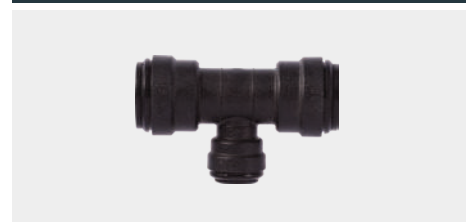
Part Number	Tube OD	Tube OD	Bag Qty	Box Qty
NC462	15mm	1/2"	10	400

Stem to Stem Adapter



Part Number	Stem OD	Stem OD	Bag Qty	Box Qty
NC478	15mm	3/8"	10	150

Tee Adapter



Part Number	Tube OD	Tube OD	Bag Qty	Box Qty
NC869	15mm	3/8"	-	400

Tube to Hose Stem



Part Number	Stem OD	Hose ID	Bag Qty	Box Qty
NC932	15mm	1/2"	10	150

Straight Connector



Part Number	Speedfit OD	Superseal OD	Bag Qty	Box Qty
NC2301	15mm	1/2"	10	80



JJ DOWNS INDUSTRIAL PLASTICS INC.

416.236.1884

JJDOWNS.COM

Toronto, ON

