

Metric Acetal Black

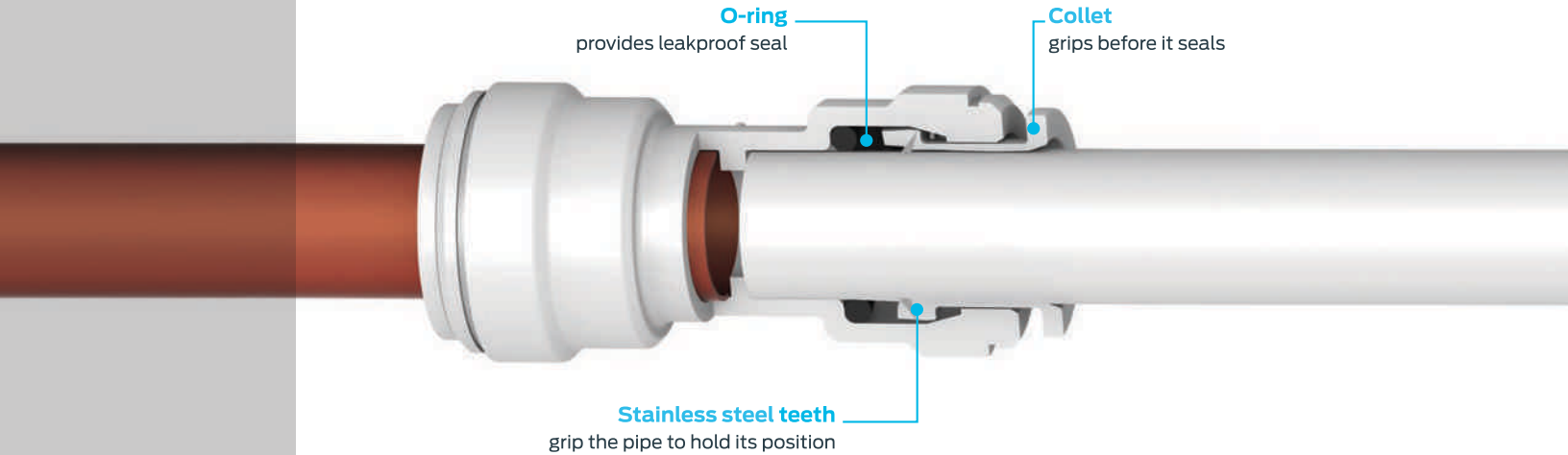
JJD

**Fluid System
Products**

Fittings, Valves & Tubing Catalog



How to make a Push-Fit connection



To connect

Keep product clean until ready to use. Always pressure test once installed.



Step 1

Cut the tube square and remove any burrs or score marks. We recommend using a tube insert for soft or thin-walled plastic tubing.



Step 2

Push the tube into the fitting and up to the tube stop.



Step 3

Pull on the tube to check that it is secure. Test the system before use.

To disconnect



Step 1

Make sure that the system is depressurized, then push the collet square against the fitting. With the collet held in this position, the tube can be removed.



JJ DOWNS INDUSTRIAL PLASTICS INC.

416.236.1884

Toronto, ON



JJDOWNS.COM

Fluid System Fittings Metric Acetal Black

JJD Fluid System Products

The PM Range of metric size push-fit fittings is offered for tube sizes 4mm OD to 28mm OD. These fittings are manufactured in black acetal copolymer with food grade nitrile O-rings. Especially produced for foodstuffs and potable liquids, they are equally suitable for air and inert gases and can, therefore, be used on CO₂ lines, pneumatics applications and vacuum.

Working pressures and temperatures

4-8mm: Max. 230 psi at 68°F 10-28mm: Max. 150 psi at 68°F
 Max. 150 psi at 150°F Max. 100 psi at 150°F

For general technical specifications, refer to page 80.



NSF 51
NSF 61

Male Connector
NPTF Thread



Part Number	Tube OD	Thread NPTF	Bag Qty	Box Qty
PM010622E	6mm	1/4"	10	500

Male Connector
BSPT Thread



Part Number	Tube OD	Thread BSPT	Bag Qty	Box Qty
PM010401E	4mm	1/8"	10	500
PM010402E	4mm	1/4"	10	500
PM010501E	5mm	1/8"	10	500
PM010502E	5mm	1/4"	10	500
PM010601E	6mm	1/8"	10	500
PM010602E	6mm	1/4"	10	500
PM010801E	8mm	1/8"	10	400
PM010802E	8mm	1/4"	10	400
PM010803E	8mm	3/8"	10	300
PM011002E	10mm	1/4"	10	250
PM011003E	10mm	3/8"	10	250
PM011004E	10mm	1/2"	10	200
PM011203E	12mm	3/8"	10	150
PM011204E	12mm	1/2"	10	150

Male Connector
BSPP Thread



Part Number	Tube OD	Thread BSPP	Bag Qty	Box Qty
PM010411E	4mm	1/8"	10	500
PM010412E	4mm	1/4"	10	500
PM010511E	5mm	1/8"	10	500
PM010512E	5mm	1/4"	10	500
PM010611E	6mm	1/8"	10	500
PM010612E	6mm	1/4"	10	500
PM010811E	8mm	1/8"	10	400
PM010812E	8mm	1/4"	10	400
PM010813E	8mm	3/8"	10	300
PM011012E	10mm	1/4"	10	250
PM011013E	10mm	3/8"	10	250
PM011014E	10mm	1/2"	10	200
PM011213E	12mm	3/8"	10	150
PM011214E	12mm	1/2"	10	150
PM011513E	15mm	3/8"	10	150
PM011514E	15mm	1/2"	10	150
PM011516E	15mm	3/4"	10	50
PM011814E	18mm	1/2"	70	70
PM012216E	22mm	3/4"	50	50



JJ DOWNS INDUSTRIAL PLASTICS INC.



416.236.1884

Toronto, ON

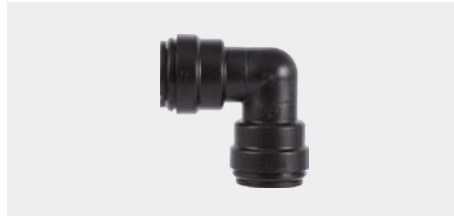
JJDOWNS.COM

Union Tee



Part Number	Tube OD	Bag Qty	Box Qty
PM0204E	4mm	10	400
PM0205E	5mm	10	400
PM0206E	6mm	10	300
PM0208E	8mm	10	200
PM0210E	10mm	10	100
PM0212E	12mm	10	50
PM0215E	15mm	5	50
PM0218E	18mm	5	30
PM0222E	22mm	5	20
PM0228E	28mm	10	10

Union Elbow



Part Number	Tube OD	Bag Qty	Box Qty
PM0304E	4mm	10	500
PM0305E	5mm	10	500
PM0306E	6mm	10	400
PM0308E	8mm	10	300
PM0310E	10mm	10	200
PM0312E	12mm	10	100
PM0315E	15mm	10	50
PM0318E	18mm	5	50
PM0322E	22mm	5	30
PM0328E	28mm	20	20

Union Connector



Part Number	Tube OD	Bag Qty	Box Qty
PM0404E	4mm	10	500
PM0405E	5mm	10	500
PM0406E	6mm	10	400
PM0408E	8mm	10	300
PM0410E	10mm	10	200
PM0412E	12mm	10	100
PM0415E	15mm	10	100
PM0418E	18mm	10	50
PM0422E	22mm	10	50
PM0428E	28mm	25	25

Stem Adapter
BSPT Thread



Part Number	Stem OD	Thread BSPT	Bag Qty	Box Qty
PM050401E	4mm	1/8"	10	500
PM050402E	4mm	1/4"	10	500
PM050501E	5mm	1/8"	10	500
PM050502E	5mm	1/4"	10	500
PM050601E	6mm	1/8"	10	500
PM050602E	6mm	1/4"	10	500
PM050801E	8mm	1/8"	10	500
PM050802E	8mm	1/4"	10	500
PM050803E	8mm	3/8"	10	300
PM051002E	10mm	1/4"	10	300
PM051003E	10mm	3/8"	10	300
PM051004E	10mm	1/2"	10	200
PM051203E	12mm	3/8"	10	200
PM051204E	12mm	1/2"	10	150

Stem Adapter
BSPP Thread



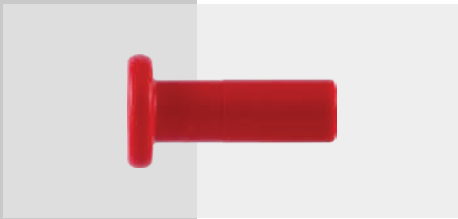
Part Number	Stem OD	Thread BSPP	Bag Qty	Box Qty
PM050411E	4mm	1/8"	10	500
PM050412E	4mm	1/4"	10	500
PM050511E	5mm	1/8"	10	500
PM050512E	5mm	1/4"	10	500
PM050611E	6mm	1/8"	10	500
PM050612E	6mm	1/4"	10	500
PM050811E	8mm	1/8"	10	500
PM050812E	8mm	1/4"	10	500
PM050813E	8mm	3/8"	10	300
PM051012E	10mm	1/4"	10	300
PM051013E	10mm	3/8"	10	300
PM051014E	10mm	1/2"	10	200
PM051213E	12mm	3/8"	10	200
PM051214E	12mm	1/2"	10	150
PM051513E	15mm	3/8"	10	150
PM051514E	15mm	1/2"	10	100
PM051814E	18mm	1/2"	10	100
PM052214E	22mm	1/2"	10	100
PM052216E	22mm	3/4"	10	50

Reducer



Part Number	Stem OD	Tube OD	Bag Qty	Box Qty
PM060504E	5mm	4mm	10	500
PM060604E	6mm	4mm	10	500
PM060605E	6mm	5mm	10	500
PM060804E	8mm	4mm	10	500
PM060805E	8mm	5mm	10	500
PM060806E	8mm	6mm	10	500
PM061006E	10mm	6mm	10	400
PM061008E	10mm	8mm	10	400
PM061208E	12mm	8mm	10	300
PM061210E	12mm	10mm	10	250
PM061510E	15mm	10mm	10	200
PM061512E	15mm	12mm	10	100
PM061815E	18mm	15mm	10	100
PM062215E	22mm	15mm	10	50
PM062218E	22mm	18mm	10	50
PM062815E	28mm	15mm	10	50
PM062822E	28mm	22mm	50	50

Plug



Part Number	Tube OD	Bag Qty	Box Qty
PM0804R	4mm	10	1000
PM0805R	5mm	10	1000
PM0806R	6mm	10	500
PM0808R	8mm	10	500
PM0810R	10mm	10	400
PM0812R	12mm	10	300

R denotes red plug

Swivel Male Elbow
BSPT Thread



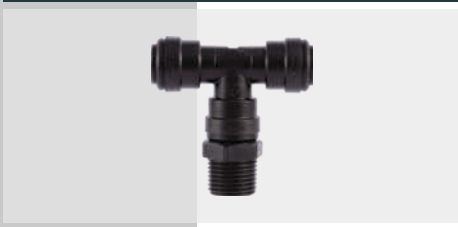
Part Number	Tube OD	Thread BSPT	Bag Qty	Box Qty
PM090401E	4mm	1/8"	10	400
PM090402E	4mm	1/4"	10	200
PM090501E	5mm	1/8"	10	400
PM090502E	5mm	1/4"	10	200
PM090601E	6mm	1/8"	10	200
PM090602E	6mm	1/4"	10	200
PM090801E	8mm	1/8"	10	200
PM090802E	8mm	1/4"	10	200
PM090803E	8mm	3/8"	10	200
PM091002E	10mm	1/4"	10	100
PM091003E	10mm	3/8"	10	100
PM091004E	10mm	1/2"	10	100
PM091203E	12mm	3/8"	10	50
PM091204E	12mm	1/2"	10	50

Swivel Male Elbow
BSPP Thread



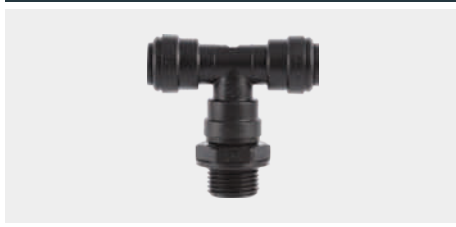
Part Number	Tube OD	Thread BSPP	Bag Qty	Box Qty
PM090411E	4mm	1/8"	10	400
PM090412E	4mm	1/4"	10	200
PM090511E	5mm	1/8"	10	400
PM090512E	5mm	1/4"	10	200
PM090611E	6mm	1/8"	10	200
PM090612E	6mm	1/4"	10	200
PM090811E	8mm	1/8"	10	200
PM090812E	8mm	1/4"	10	200
PM090813E	8mm	3/8"	10	200
PM091012E	10mm	1/4"	10	100
PM091013E	10mm	3/8"	10	100
PM091014E	10mm	1/2"	10	100
PM091213E	12mm	3/8"	10	50
PM091214E	12mm	1/2"	10	50

Swivel Male Branch Tee
BSPT Thread



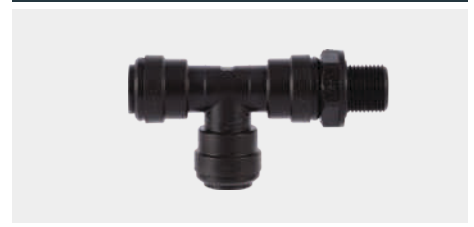
Part Number	Tube OD	Thread BSPT	Bag Qty	Box Qty
PM100401E	4mm	1/8"	10	200
PM100402E	4mm	1/4"	10	200
PM100501E	5mm	1/8"	10	200
PM100502E	5mm	1/4"	10	200
PM100601E	6mm	1/8"	10	200
PM100602E	6mm	1/4"	10	200
PM100801E	8mm	1/8"	10	100
PM100802E	8mm	1/4"	10	100
PM100803E	8mm	3/8"	10	100
PM101002E	10mm	1/4"	10	100
PM101003E	10mm	3/8"	10	100
PM101004E	10mm	1/2"	10	100
PM101203E	12mm	3/8"	10	50
PM101204E	12mm	1/2"	5	50

Swivel Male Branch Tee
BSPP Thread



Part Number	Tube OD	Thread BSPP	Bag Qty	Box Qty
PM100411E	4mm	1/8"	10	200
PM100412E	4mm	1/4"	10	200
PM100511E	5mm	1/8"	10	200
PM100512E	5mm	1/4"	10	200
PM100611E	6mm	1/8"	10	200
PM100612E	6mm	1/4"	10	200
PM100811E	8mm	1/8"	10	100
PM100812E	8mm	1/4"	10	100
PM100813E	8mm	3/8"	10	100
PM101012E	10mm	1/4"	10	100
PM101013E	10mm	3/8"	10	100
PM101014E	10mm	1/2"	10	50
PM101213E	12mm	3/8"	5	50
PM101214E	12mm	1/2"	5	50

Swivel Male Run Tee
BSPT Thread



Part Number	Tube OD	Thread BSPT	Bag Qty	Box Qty
PM110401E	4mm	1/8"	10	200
PM110402E	4mm	1/4"	10	200
PM110501E	5mm	1/8"	10	200
PM110502E	5mm	1/4"	10	200
PM110602E	6mm	1/4"	10	200
PM110802E	8mm	1/4"	10	100
PM110803E	8mm	3/8"	10	100
PM111002E	10mm	1/4"	10	100
PM111003E	10mm	3/8"	5	100



Swivel Male Run Tee
 BSPP Thread



Part Number	Tube OD	Thread BSPP	Bag Qty	Box Qty
PM11041E	4mm	1/8"	10	200
PM11042E	4mm	1/4"	10	200
PM11051E	5mm	1/8"	10	200
PM11052E	5mm	1/4"	10	200
PM11061E	6mm	1/8"	10	200
PM11062E	6mm	1/4"	10	200
PM11081E	8mm	1/8"	10	100
PM11082E	8mm	1/4"	10	100
PM11083E	8mm	3/8"	10	100
PM11102E	10mm	1/4"	10	100
PM11103E	10mm	3/8"	10	100
PM11104E	10mm	1/2"	10	50
PM11123E	12mm	3/8"	5	50

Bulkhead Union



Part Number	Tube OD	Mounting Hole Dia.	Bag Qty	Box Qty
PM1204E	4mm	16.5mm	10	200
PM1205E	5mm	16.5mm	10	200
PM1206E	6mm	16.5mm	10	200
PM1208E	8mm	21.0mm	10	100
PM1210E	10mm	21.0mm	10	100
PM1212E	12mm	26.5mm	5	50

Enlarger



Part Number	Stem OD	Tube OD	Bag Qty	Box Qty
PM130405E	4mm	5mm	10	500

Reducing Union Connector



Part Number	Tube OD	Tube OD	Bag Qty	Box Qty
PM200604E	6mm	4mm	10	400
PM200804E	8mm	4mm	10	300
PM200806E	8mm	6mm	10	200
PM201004E	10mm	4mm	10	200
PM201006E	10mm	6mm	10	200
PM201008E	10mm	8mm	10	200
PM201208E	12mm	8mm	10	100
PM201210E	12mm	10mm	10	100

Reducing Elbow



Part Number	Tube OD	Tube OD	Bag Qty	Box Qty
PM210604E	6mm	4mm	10	400
PM210804E	8mm	4mm	10	300
PM210806E	8mm	6mm	10	200
PM211004E	10mm	4mm	10	200
PM211006E	10mm	6mm	10	200
PM211008E	10mm	8mm	10	200
PM211208E	12mm	8mm	10	100
PM211210E	12mm	10mm	10	100

Plug In Elbow



Part Number	Stem OD	Tube OD	Bag Qty	Box Qty
PM220404E	4mm	4mm	10	500
PM220505E	5mm	5mm	10	500
PM220606E	6mm	6mm	10	500
PM220808E	8mm	8mm	10	400
PM221010E	10mm	10mm	10	200
PM221212E	12mm	12mm	10	100
PM221515E	15mm	15mm	10	100
PM221818E	18mm	18mm	5	50
PM222222E	22mm	22mm	10	50



JJ DOWNS INDUSTRIAL PLASTICS INC.



416.236.1884

Toronto, ON

JJDOWNS.COM

Two Way Divider



Part Number	Tube OD	Bag Qty	Box Qty
PM2304E	4mm	10	300
PM2308E	8mm	10	100
PM2310E	10mm	10	100
PM2315E	15mm	5	50

Tube to Hose Stem



Part Number	Stem OD	Hose ID	Bag Qty	Box Qty
PM250604E	6mm	4mm	10	500
PM250806E	8mm	6mm	10	500
PM251008E	10mm	8mm	10	300

Reducing Tee



Part Number	Tube OD Ends	Tube OD Branch	Bag Qty	Box Qty
PM3018AE	18mm	15mm	5	30
PM3022AE	22mm	15mm	5	20

Female Connector
BSPP Thread



Part Number	Tube OD	Thread BSPP	Bag Qty	Box Qty
PM45041E	4mm	1/8"	10	500
PM45061E	6mm	1/8"	10	500
PM45062E	6mm	1/4"	10	300
PM450812E	8mm	1/4"	10	300
PM450813E	8mm	3/8"	10	200
PM451015FE	10mm	5/8"	10	100
PM451215FE	12mm	5/8"	10	150

End Cap



Part Number	Tube OD	Bag Qty	Box Qty
PM4612E	12mm	10	250
PM4615E	15mm	10	200
PM4618E	18mm	10	100
PM4622E	22mm	5	80

Fixed Elbow
NPTF Thread



Part Number	Tube OD	Thread NPTF	Bag Qty	Box Qty
PM480621E	6mm	1/8"	10	500
PM480622E	6mm	1/4"	10	400
PM480623E	6mm	3/8"	10	300

U-Bend



Part Number	Tube OD	Bag Qty	Box Qty
PMUB15E	15mm	10	50

John Guest Adaptability

Standard John Guest fittings can be coupled together to form integral new fittings.



JJD

JJ DOWNS INDUSTRIAL PLASTICS INC.

416.236.1884

JJDOWNS.COM

Toronto, ON

