



Low Extractable Product
Low-Extractable Piping For Ultra-Pure Water Systems

Part Number	Size	Std Pk	Mstr Ctn	Prod Code
-------------	------	--------	----------	-----------

Pipe - Low Extractable PVC Schedule 80 Plain End

15' Lengths, Price Per Foot



LXT-002	1/4	750	0	064
LXT-003	3/8	750	0	064
LXT-005	1/2	630	0	064
LXT-007	3/4	450	0	064
LXT-010	1	450	0	064
LXT-012	1-1/4	450	0	064
LXT-015	1-1/2	240	0	064
LXT-020	2	240	0	064
LXT-030	3	60	0	064
LXT-040	4	60	0	064
LXT-060	6	15	0	064

See Spears® Low-Extractable Schedule 80 Pipe Chart for additional information.

True Union 2000 Industrial Ball Valves w/Handle Lockout & Safe-T-Block™ Design

EPDM O-ring



1829-005BL	1/2	1	18	066
1829-007BL	3/4	1	12	066
1829-010BL	1	1	12	066
1829-012BL	1-1/4	1	8	066
1829-015BL	1-1/2	1	8	066
1829-020BL	2	1	4	066

True Union 2000 Industrial Ball Valves w/Handle Lockout & Safe-T-Block™ Design

FKM O-rings



1839-005BL	1/2	1	18	066
1839-007BL	3/4	1	12	066
1839-010BL	1	1	12	066
1839-012BL	1-1/4	1	8	066
1839-015BL	1-1/2	1	8	066
1839-020BL	2	1	4	066
1832-030BL	3	1	0	066
1832-040BL	4	1	0	066

True Union 2000 Industrial T-Style Ball Valve

EPDM

Mainline Tee x Socket/Spigot



Safe-T-Block™ Design

182901-005BL	1/2	1	8	066
182901-007BL	3/4	1	8	066
182901-010BL	1	1	8	066
182901-012BL	1-1/4	1	8	066
182901-015BL	1-1/2	1	0	066
182901-020BL	2	1	0	066
182901-101BL	3/4X1/2	1	8	066
182901-130BL	1X1/2	1	8	066

Part Number	Size	Std Pk	Mstr Ctn	Prod Code
-------------	------	--------	----------	-----------

True Union 2000 Industrial T-Style Ball Valve (continued)

EPDM

Mainline Tee x Socket/Spigot

182901-131BL	1X3/4	1	8	066
182901-166BL	1-1/4X1/2	1	8	066
182901-167BL	1-1/4X3/4	1	8	066
182901-168BL	1-1/4X1	1	8	066
182901-209BL	1-1/2X1/2	1	8	066
182901-210BL	1-1/2X3/4	1	8	066
182901-211BL	1-1/2X1	1	8	066
182901-247BL	2X1/2	1	8	066
182901-248BL	2X3/4	1	8	066
182901-249BL	2X1	1	8	066
182901-251BL	2X1-1/2	1	0	066
182901-333BL	3X1/2	1	0	066
182901-335BL	3X1	1	0	066
182901-337BL	3X1-1/2	1	0	066
182901-338BL	3X2	1	0	066
182901-417BL	4X1	1	0	066
182901-419BL	4X1-1/2	1	0	066
182901-420BL	4X2	1	0	066
182901-528BL	6X2	1	0	066
182901-578BL	8X2	1	0	066

Includes Plugged end with additional Socket and Threaded end connectors.

True Union 2000 Industrial T-Style Ball Valve

FKM

Mainline Tee x Socket/Fipt



Safe-T-Block™ Design

183901-005BL	1/2	1	12	066
183901-007BL	3/4	1	8	066
183901-010BL	1	1	8	066
183901-015BL	1-1/2	1	0	066
183901-020BL	2	1	0	066
183901-101BL	3/4X1/2	1	12	066
183901-130BL	1X1/2	1	8	066
183901-131BL	1X3/4	1	8	066
183901-166BL	1-1/4X1/2	1	8	066
183901-167BL	1-1/4X3/4	1	8	066
183901-168BL	1-1/4X1	1	8	066
183901-209BL	1-1/2X1/2	1	8	066
183901-210BL	1-1/2X3/4	1	8	066
183901-211BL	1-1/2X1	1	8	066
183901-247BL	2X1/2	1	8	066
183901-248BL	2X3/4	1	8	066
183901-249BL	2X1	1	8	066
183901-251BL	2X1-1/2	1	8	066
183901-333BL	3X1/2	1	8	066
183901-335BL	3X1	1	0	066
183901-337BL	3X1-1/2	1	0	066
183901-338BL	3X2	1	0	066
183901-417BL	4X1	1	0	066
183901-419BL	4X1-1/2	1	0	066
183901-420BL	4X2	1	0	066

Suitable for Oil-Free air handling to 25 psi, not for distribution of compressed air or gas

JJ DOWNS INDUSTRIAL PLASTICS INC.

416.236.1884
Toronto, ON
JJDOWNS.COM



Low Extractable Product
Low-Extractable Piping For Ultra-Pure Water Systems

Part Number	Size	Std Pk	Mstr Ctn	Prod Code
-------------	------	--------	----------	-----------

True Union 2000 Industrial T-Style Ball Valve (continued)

FKM

Mainline Tee x Socket/Fipt

183901-528BL	6X2	1	0	066
183901-578BL	8X2	1	0	066

Includes Plugged end with additional Socket and Threaded end connectors.

True Union 2000 Industrial Ball Check Valves



EPDM O-rings

4529-005BL	1/2	1	18	066
4529-007BL	3/4	1	18	066
4529-010BL	1	1	12	066
4529-012BL	1-1/4	1	12	066
4529-015BL	1-1/2	1	8	066
4529-020BL	2	1	8	066
4522-030BL	3	1	0	066
4522-040BL	4	1	0	066

True Union 2000 Industrial Ball Check Valves



FKM O-rings

4539-005BL	1/2	1	18	066
4539-007BL	3/4	1	18	066
4539-010BL	1	1	12	066
4539-012BL	1-1/4	1	12	066
4539-015BL	1-1/2	1	8	066
4539-020BL	2	1	8	066
4532-030BL	3	1	0	066
4532-040BL	4	1	0	066

Diaphragm Valves



EPDM O-ring Seals

EPDM Backed PTFE Diaphragm

2729T-005BL	1/2	1	12	066
2729T-007BL	3/4	1	8	066
2729T-010BL	1	1	8	066
2729T-012BL	1-1/4	1	4	066
2729T-015BL	1-1/2	1	4	066
2729T-020BL	2	1	0	066

Note: Both socket and threaded end connectors are provided with valve sizes 1/2"-2" Diaphragm valves. Valves carry a maximum pressure rating of 150 psi for water, non-shock, @ 73°F (23°C).

T-style "Zero Dead Leg" Diaphragm Valve



Mainline Tee x Spigot

EPDM Backed PTFE Diaphragm

2797TZD-005BL	1/2	1	8	066
2797TZD-007BL	3/4	1	8	066
2797TZD-010BL	1X1	1	8	066
2797TZD-015BL	1-1/2	1	0	066

Part Number	Size	Std Pk	Mstr Ctn	Prod Code
-------------	------	--------	----------	-----------

T-style "Zero Dead Leg" Diaphragm Valve (continued)

Mainline Tee x Spigot

EPDM Backed PTFE Diaphragm

2797TZD-020BL	2X2	1	0	066
2797TZD-130BL	1X1/2	1	8	066
2797TZD-131BL	1X3/4	1	8	066
2797TZD-209BL	1-1/2X1/2	1	4	066
2797TZD-210BL	1-1/2X3/4	1	4	066
2797TZD-247BL	2X1/2	1	8	066
2797TZD-249BL	2X1	1	0	066
2797TZD-251BL	2X1-1/2	1	0	066

Needle Valve

Globe Pattern - Fipt



5591-002BL	1/4	1	18	066
5591-003BL	3/8	1	18	066

Replaceable PTFE Stem Seal - no elastomer or lubricants used. Needle valves carry a maximum internal pressure rating of 235 psi at 73°F (23°C).

Needle Valve

Globe Pattern - Socket



5592-002BL	1/4	1	18	066
5592-003BL	3/8	1	18	066
5592-005BL	1/2	1	18	066

Replaceable PTFE Stem Seal - no elastomer or lubricants used. Needle valves carry a maximum internal pressure rating of 235 psi at 73°F (23°C).

Needle Valve

Globe Pattern - SR Fipt



5591-005BLSR	1/2	1	18	066
--------------	-----	---	----	-----

Replaceable PTFE Stem Seal - no elastomer or lubricants used. Needle valves carry a maximum internal pressure rating of 235 psi at 73°F (23°C).

Needle Valve

Angle Pattern - Fipt



5691-002BL	1/4	1	18	066
5691-003BL	3/8	1	18	066

Replaceable PTFE Stem Seal - no elastomer or lubricants used. Needle valves carry a maximum internal pressure rating of 235 psi at 73°F (23°C).

Needle Valve

Angle Pattern - Socket



5692-002BL	1/4	1	18	066
5692-003BL	3/8	1	18	066
5692-005BL	1/2	1	18	066

Suitable for Oil-Free air handling to 25 psi, not for distribution of compressed air or gas

JJ DOWNS INDUSTRIAL PLASTICS INC.

416.236.1884
Toronto, ON
JJDOWNS.COM



Low Extractable Product
Low-Extractable Piping For Ultra-Pure Water Systems

Part Number	Size	Std Pk	Mstr Ctn	Prod Code
-------------	------	--------	----------	-----------

Needle Valve (continued)

Angle Pattern - Socket

Replaceable PTFE Stem Seal - no elastomer or lubricants used. Needle valves carry a maximum internal pressure rating of 235 psi at 73°F (23°C).



Needle Valve

Angle Pattern - SR Fipt

5691-005BLSR	1/2	1	18	066
--------------	-----	---	----	-----

Replaceable PTFE Stem Seal - no elastomer or lubricants used. Needle valves carry a maximum internal pressure rating of 235 psi at 73°F (23°C).

"No Gauge" designates Gauge Guard only, unfilled. Other units are pre-filled and factory assembled with gauge specified in Size column. Gauge Guards carry a maximum pressure rating to 235 psi @ 73°F (23°C) and full vacuum service on vacuum gauges. All inlet connections are Spears® patented Special Reinforced (SR) female plastic NPT thread.



Gauge Guards

PTFE Diaphragm 1/4" Inlet Connection

G0004-002BL	No Gauge	1	18	623
G30V4-002BL	0-30 in-Hg	1	18	623
G0154-002BL	0-15 psi	1	18	623
G0304-002BL	0-30 psi	1	18	623
G0604-002BL	0-60 psi	1	18	623
G1004-002BL	0-100 psi	1	18	623
G1604-002BL	0-160 psi	1	18	623
G2004-002BL	0-200 psi	1	18	623
G3004-002BL	0-300 psi	1	18	623



Gauge Guards

PTFE Diaphragm 1/2" Inlet Connection

G0004-005BL	No Gauge	1	18	623
G30V4-005BL	0-30 in-Hg	1	18	623
G0154-005BL	0-15 psi	1	18	623
G0304-005BL	0-30 psi	1	18	623
G0604-005BL	0-60 psi	1	18	623
G1004-005BL	0-100 psi	1	18	623
G1604-005BL	0-160 psi	1	18	623
G2004-005BL	0-200 psi	1	18	623
G3004-005BL	0-300 psi	1	18	623



Gauge Guards

FKM Diaphragm 1/4" Inlet Connection

G0003-002BL	No Gauge	1	18	623
G30V3-002BL	0-30 in-Hg	1	18	623
G0153-002BL	0-15 psi	1	18	623
G0303-002BL	0-30 psi	1	18	623

Part Number	Size	Std Pk	Mstr Ctn	Prod Code
-------------	------	--------	----------	-----------

Gauge Guards (continued)

FKM Diaphragm 1/4" Inlet Connection

G0603-002BL	0-60 psi	1	18	623
G1003-002BL	0-100 psi	1	18	623
G1603-002BL	0-160 psi	1	18	623
G2003-002BL	0-200 psi	1	18	623
G3003-002BL	0-300 psi	1	18	623



Gauge Guards

FKM Diaphragm 1/2" Inlet Connection

G0003-005BL	No Gauge	1	18	623
G30V3-005BL	0-30 in-Hg	1	18	623
G0153-005BL	0-15 psi	1	18	623
G0303-005BL	0-30 psi	1	18	623
G0603-005BL	0-60 psi	1	18	623
G1003-005BL	0-100 psi	1	18	623
G1603-005BL	0-160 psi	1	18	623
G2003-005BL	0-200 psi	1	18	623
G3003-005BL	0-300 psi	1	18	623



Gauge Guards

EPDM Diaphragm 1/4" Inlet Connection

G0002-002BL	No Gauge	1	18	623
G30V2-002BL	0-30 in-Hg	1	18	623
G0152-002BL	0-15 psi	1	18	623
G0302-002BL	0-30 psi	1	18	623
G0602-002BL	0-60 psi	1	18	623
G1002-002BL	0-100 psi	1	18	623
G1602-002BL	0-160 psi	1	18	623
G2002-002BL	0-200 psi	1	18	623
G3002-002BL	0-300 psi	1	18	623



Gauge Guards

EPDM Diaphragm 1/2" Inlet Connection

G0002-005BL	No Gauge	1	18	623
G30V2-005BL	0-30 in-Hg	1	18	623
G0152-005BL	0-15 psi	1	18	623
G0302-005BL	0-30 psi	1	18	623
G0602-005BL	0-60 psi	1	18	623
G1002-005BL	0-100 psi	1	18	623
G1602-005BL	0-160 psi	1	18	623
G2002-005BL	0-200 psi	1	18	623
G3002-005BL	0-300 psi	1	18	623



LX-5 Low Extractable One-Step Cement

LX5C-020	Pint	12	0	702
----------	------	----	---	-----

Suitable for Oil-Free air handling to 25 psi, not for distribution of compressed air or gas

JJ DOWNS INDUSTRIAL PLASTICS INC.

416.236.1884
Toronto, ON
JJDOWNS.COM



Low Extractable Product
Low-Extractable Piping For Ultra-Pure Water Systems

Part Number	Size	Std Pk	Mstr Ctn	Prod Code
LX-5 Low Extractable One-Step Cement (continued)				
LX5C-030	Quart	12	0	702



Empty Can

MT-654	Pint	12	0	710
MT-651	Quart	12	0	710
MT-653	Quart	12	0	710

MT-651 & MT-654 cans have 1-3/4" Screw Neck size
 MT-653 is a TT Paint Type can

Brush

For Pint and Quart cans



KD-110	4-1/2" Length	25	0	710
KD-112	5-1/2" length	25	0	710

Fits 1-3/4" Screw Cap

Roller

3020	3" length	20	0	710
------	-----------	----	---	-----

Fits Paint Type Quart Can (MT-653). For use with pipe sizes 3" to 6"



Cap Dauber

DP-75	3/4" for Pint	50	0	710
DP-125	1-1/4" for Pint	50	0	710
DQ-125	1-1/4" for Quart	50	0	710

1/2" Diameter for pipe sizes to 1"
 3/4" Diameter for pipe size to 1-1/2"
 1-1/4" Diameter for pipe size 1-1/2" to 3"



Can-Mate Dauber

CM-75	3/4"	50	0	710
CM-150	1-1/4"	50	0	710

1/2" Diameter for pipe sizes to 1"
 3/4" Diameter for pipe size to 1-1/2"
 1-1/4" Diameter for pipe size 1-1/2" to 3"



Deburring Tool

Cone Type for pipe from 1/2" through 2"

DEB-2	1/2" to 2" Pipe	1	6	710
-------	-----------------	---	---	-----



Part Number	Size	Std Pk	Mstr Ctn	Prod Code
-------------	------	--------	----------	-----------

Tee

Socket x Socket x Socket



801-005BL	1/2	25	0	065
801-007BL	3/4	15	120	065
801-010BL	1	15	0	065
801-012BL	1-1/4	10	0	065
801-015BL	1-1/2	10	0	065
801-020BL	2	10	0	065
801-030BL	3	5	0	065
801-040BL	4	5	0	065
801-060BL	6	4	0	065

Reducing Tee

Socket x Socket x Socket



801-131BL	1X1X3/4	15	0	065
801-211BL	1-1/2X1-1/2X1	10	0	065
801-249BL	2X2X1	10	0	065
801-251BL	2X2X1-1/2	10	0	065
801-338BL	3X3X2	5	0	065
801-422BL	4X4X3	5	0	065
801-530BL	6X6X3	4	0	065
801-532BL	6X6X4	5	0	065

90° Ell

Socket x Socket



806-005BL	1/2	20	160	065
806-007BL	3/4	20	160	065
806-010BL	1	10	80	065
806-012BL	1-1/4	10	0	065
806-015BL	1-1/2	10	0	065
806-020BL	2	25	0	065
806-030BL	3	5	0	065
806-040BL	4	5	0	065
806-060BL	6	4	0	065

90° Sweep Ell

Socket x Socket



806-005SBL	1/2	25	100	065
806-007SBL	3/4	25	0	065
806-010SBL	1	25	0	065
806-012SBL	1-1/4	25	0	065
806-015SBL	1-1/2	25	0	065
806-020SBL	2	25	0	065

Suitable for Oil-Free air handling to 25 psi, not for distribution of compressed air or gas

JJ DOWNS INDUSTRIAL PLASTICS INC.

416.236.1884
Toronto, ON
JJDOWNS.COM



Low Extractable Product
Low-Extractable Piping For Ultra-Pure Water Systems

Part Number	Size	Std Pk	Mstr Ctn	Prod Code
-------------	------	--------	----------	-----------

45° Ell

Socket x Socket



817-005BL	1/2	20	240	065
817-007BL	3/4	10	120	065
817-010BL	1	15	120	065
817-012BL	1-1/4	10	0	065
817-015BL	1-1/2	10	0	065
817-020BL	2	10	0	065
817-030BL	3	5	0	065
817-040BL	4	5	0	065
817-060BL	6	5	0	065

Coupling

Socket x Socket



829-005BL	1/2	25	300	065
829-007BL	3/4	15	180	065
829-010BL	1	15	120	065
829-012BL	1-1/4	10	80	065
829-015BL	1-1/2	10	0	065
829-020BL	2	10	0	065
829-030BL	3	5	0	065
829-040BL	4	5	0	065
829-060BL	6	4	0	065

Reducer Coupling

Socket x Socket



829-101BL	3/4X1/2	50	0	065
829-131BL	1X3/4	25	200	065
829-168BL	1-1/4X1	25	0	065
829-210BL	1-1/2X3/4	25	0	065
829-211BL	1-1/2X1	25	0	065
829-212BL	1-1/2X1-1/4	25	0	065
829-249BL	2X1	10	0	065
829-251BL	2X1-1/2	10	0	065
829-338BL	3X2	8	0	065
829-420BL	4X2	4	0	065
829-422BL	4X3	5	0	065
829-532BL	6X4	4	0	065

GripLoc™ Transition Coupling

Socket x GripLoc™ Compression
WARNING: DO NOT INSERT FINGERS
EPDM Gasket



For quick connection to other IPS Piping Systems

P092-005BL	1/2	28	0	136
P092-007BL	3/4	24	0	136
P092-010BL	1	20	0	136
P092-012BL	1-1/4	10	0	136

Part Number	Size	Std Pk	Mstr Ctn	Prod Code
-------------	------	--------	----------	-----------

GripLoc™ Transition Coupling (continued)

Socket x GripLoc™ Compression
WARNING: DO NOT INSERT FINGERS
EPDM Gasket

P092-015BL	1-1/2	16	0	136
P092-020BL	2	12	0	136

Special Reinforced Female Adapter

Socket x SR Fipt



835-005SRBL	1/2	25	300	065
835-007SRBL	3/4	25	200	065
835-010SRBL	1	25	0	065
835-012SRBL	1-1/4	10	80	065
835-015SRBL	1-1/2	10	80	065
835-020SRBL	2	10	0	065
835-030SRBL	3	5	0	065
835-040SRBL	4	5	0	065

Special Reinforced Reducing Spigot Female Adapter

Spigot x SR Fipt



878-072SRBL	1/2X1/4	25	450	065
878-098SRBL	3/4X1/4	50	300	065
878-128SRBL	1X1/4	50	0	065

Male Adapter

Mipt x Socket



836-005BL	1/2	25	300	065
836-007BL	3/4	25	200	065
836-010BL	1	10	60	065
836-012BL	1-1/4	10	80	065
836-015BL	1-1/2	10	80	065
836-020BL	2	10	0	065
836-030BL	3	5	0	065
836-040BL	4	5	0	065

Reducer Bushing Flush Style

Spigot x Socket



837-101BL	3/4X1/2	50	0	065
837-130BL	1X1/2	50	0	065
837-131BL	1X3/4	50	0	065
837-166BL	1-1/4X1/2	25	0	065
837-168BL	1-1/4X1	25	200	065
837-210BL	1-1/2X3/4	25	0	065
837-211BL	1-1/2X1	25	200	065
837-212BL	1-1/2X1-1/4	25	200	065
837-249BL	2X1	10	80	065

Suitable for Oil-Free air handling to 25 psi, not for distribution of compressed air or gas

JJ DOWNS INDUSTRIAL PLASTICS INC.

416.236.1884
Toronto, ON
JJDOWNS.COM

Low Extractable Product
Low-Extractable Piping For Ultra-Pure Water Systems

Part Number	Size	Std Pk	Mstr Ctn	Prod Code
Reducer Bushing Flush Style (continued)				
Spigot x Socket				
837-251BL	2X1-1/2	10	80	065
837-335BL	3X1	10	0	065
837-338BL	3X2	10	0	065
837-422BL	4X3	6	0	065
837-532BL	6X4	5	0	065

Reducer Bushing Flush Style

Spigot x Fipt

838-072BL	1/2X1/4	50	400	065
838-073BL	1/2X3/8	50	600	065
838-098BL	3/4X1/4	50	0	065
838-101BL	3/4X1/2	50	0	065
838-129BL	1X3/8	50	0	065
838-130BL	1X1/2	50	0	065
838-131BL	1X3/4	50	0	065
838-210BL	1-1/2X3/4	25	200	065
838-211BL	1-1/2X1	25	200	065

Cap

Socket

847-005BL	1/2	25	300	065
847-007BL	3/4	25	300	065
847-010BL	1	15	180	065
847-012BL	1-1/4	10	120	065
847-015BL	1-1/2	10	80	065
847-020BL	2	10	80	065
847-030BL	3	5	0	065
847-040BL	4	5	0	065
847-060BL	6	4	0	065

Union

Socket x Socket EPDM O-ring Seals

235 psi Maximum Internal Pressure Rating @ 73°F (23°C)

897-005BL	1/2	10	60	065
897-007BL	3/4	10	40	065
897-010BL	1	10	40	065
897-012BL	1-1/4	5	20	065
897-015BL	1-1/2	5	0	065
897-020BL	2	5	0	065
8097-030BL	3	5	0	065
8097-040BL	4	4	0	065

Part Number	Size	Std Pk	Mstr Ctn	Prod Code
-------------	------	--------	----------	-----------

Union

Socket x Socket FKM O-ring Seals

235 psi Maximum Internal Pressure Rating @ 73°F (23°C)

857-005BL	1/2	10	60	065
857-007BL	3/4	10	40	065
857-010BL	1	10	40	065
857-012BL	1-1/4	5	20	065
857-015BL	1-1/2	5	0	065
857-020BL	2	5	0	065
8057-030BL	3	5	0	065
8057-040BL	4	4	0	065

Flange Socket Van Stone Style

Rated @ 150 psi Working Pressure @ 73°F (23°C)

854-005BL	1/2	25	0	065
854-007BL	3/4	25	0	065
854-010BL	1	15	0	065
854-012BL	1-1/4	15	0	065
854-015BL	1-1/2	20	0	065
854-020BL	2	10	0	065
854-030BL	3	10	0	065
854-040BL	4	5	0	065
854-060BL	6	5	0	065

PVC New Style Standard Tank Adapters with EPDM Gaskets

Socket x Socket

150 psi Maximum Internal Pressure Rating @ 73°F (23°C)

8170E-005BL	1/2	25	0	065
8170E-007BL	3/4	25	0	065
8170E-010BL	1	25	0	065
8170E-012BL	1-1/4	20	0	065
8170E-015BL	1-1/2	20	0	065
8170E-020BL	2	15	0	065
8170E-030BL	3	4	0	065
8170E-040BL	4	2	0	065

PVC New Style Standard Tank Adapters with FKM Gaskets

Socket x Socket

150 psi Maximum Internal Pressure Rating @ 73°F (23°C)

8170V-005BL	1/2	25	0	065
8170V-007BL	3/4	25	0	065
8170V-010BL	1	25	0	065
8170V-012BL	1-1/4	20	0	065
8170V-015BL	1-1/2	20	0	065
8170V-020BL	2	15	0	065

Suitable for Oil-Free air handling to 25 psi, not for distribution of compressed air or gas



JJD

JJ DOWNS INDUSTRIAL PLASTICS INC.



member
iapd
international association
of plastics distribution

416.236.1884
Toronto, ON
JJDOWNS.COM



Low Extractable Product
Low-Extractable Piping For Ultra-Pure Water Systems

Part Number	Size	Std Pk	Mstr Ctn	Prod Code
-------------	------	--------	----------	-----------

PVC New Style Standard Tank Adapters with FKM Gaskets

(continued)

Socket x Socket

8170V-030BL	3	4	0	065
8170V-040BL	4	2	0	065

Wrench Sets

Body Wrench & Nut Wrench



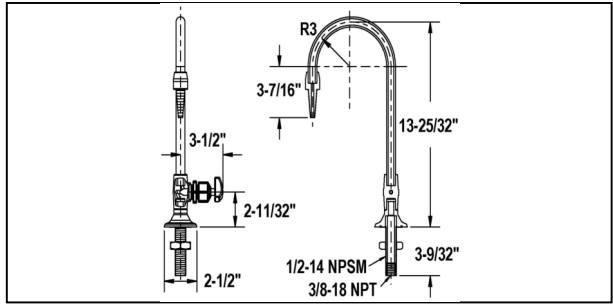
TAW-005	1/2	1	25	299
TAW-007	3/4	1	25	299
TAW-010	1	1	25	299
TAW-012	1-1/4	1	20	299
TAW-015	1-1/2	1	20	299
TAW-020	2	1	10	299
TAW-030	3	1	10	299
TAW-040	4	1	10	299

Individual Body Wrench

TAW1-005	1/2	250	0	299
TAW1-007	3/4	220	0	299
TAW1-010	1	200	0	299
TAW1-012	1-1/4	300	0	299
TAW1-015	1-1/2	150	0	299
TAW1-020	2	100	0	299
TAW1-030	3	74	0	299
TAW1-040	4	35	0	299

Individual Nut Wrench

TAW2-005	1/2	200	0	299
TAW2-007	3/4	160	0	299
TAW2-010	1	110	0	299
TAW2-012	1-1/4	200	0	299
TAW2-015	1-1/2	120	0	299
TAW2-020	2	100	0	299
TAW2-030	3	40	0	299
TAW2-040	4	35	0	299

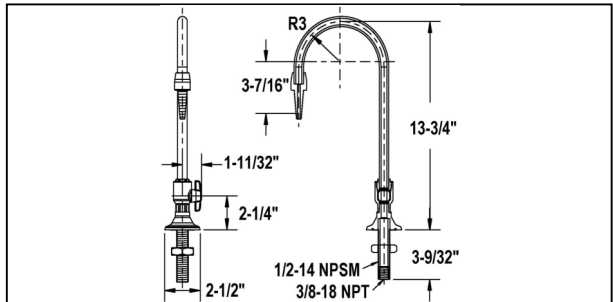


Gooseneck Units - Deck Mount Lab Fixture w/Needle Valve

Part Number	Size	Std Pk	Mstr Ctn	Prod Code
-------------	------	--------	----------	-----------

Base, Gooseneck & Serrated Tip with Needle Valve-Metered Flow

LF1000-BLN	LE, PTFE Seal	1	0	066
------------	---------------	---	---	-----

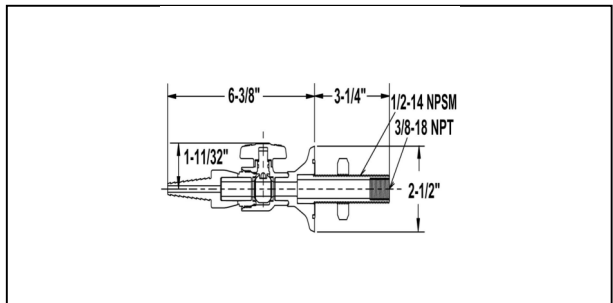


Gooseneck Units - Deck Mount Lab Fixture w/Ball Valve

Part Number	Size	Std Pk	Mstr Ctn	Prod Code
-------------	------	--------	----------	-----------

Base, Gooseneck & Serrated Tip with Ball Valve-Direct Flow

LF1002-BL	LE, EPDM Seal	1	0	066
LF1003-BL	LE, FKM Seal	1	0	066



Turret Unit - Panel Mount Lab Fixture w/Ball Valve

Part Number	Size	Std Pk	Mstr Ctn	Prod Code
-------------	------	--------	----------	-----------

Turret Base & Serrated Tip with Ball Valve-Direct Flow

LF3002-BL	LE, EPDM Seal	1	0	066
LF3003-BL	LE, FKM Seal	1	0	066

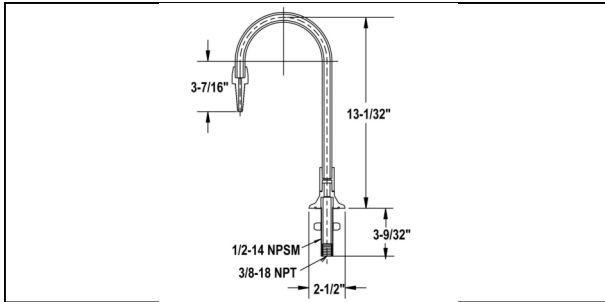
Suitable for Oil-Free air handling to 25 psi, not for distribution of compressed air or gas

JJ DOWNS INDUSTRIAL PLASTICS INC.

416.236.1884
Toronto, ON
JJDOWNS.COM



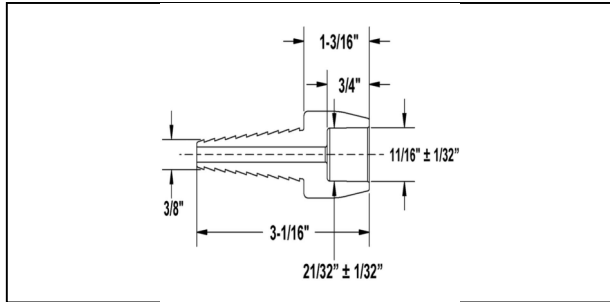
Low Extractable Product
Low-Extractable Piping For Ultra-Pure Water Systems



Remote Valve Units (No Valve) - Deck Mount Gooseneck

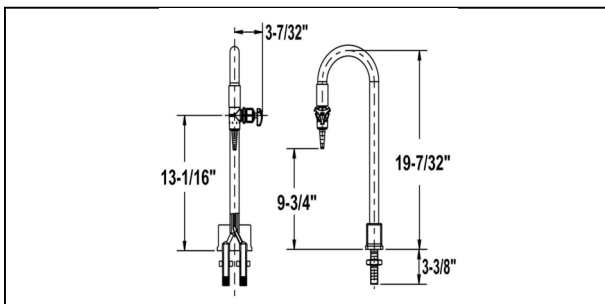
Part Number	Size	Std Pk	Mstr Ctn	Prod Code
LF100-BL	LE	1	0	066

Base, Gooseneck & Serrated Tip - For use with Remote Valve



Accessory/ Replacement Straight Serrated Tip Only

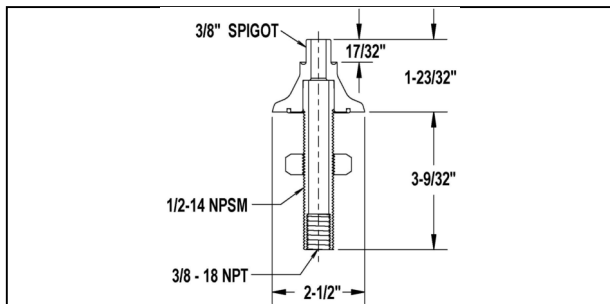
Part Number	Size	Std Pk	Mstr Ctn	Prod Code
LF400-BL	LE	600	0	066



Gooseneck Recirculating Units -Deck Mount Lab Fixture w/Needle Valve

Part Number	Size	Std Pk	Mstr Ctn	Prod Code
LFR1000-BLN	LE, PTFE Seal	1	0	066

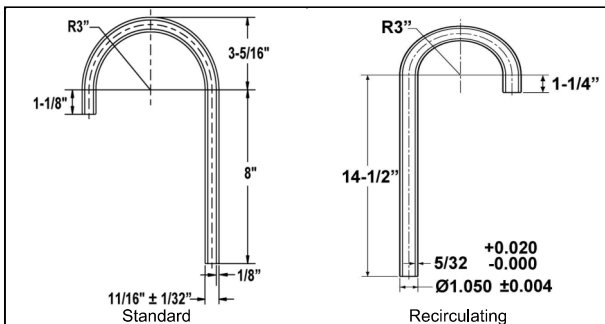
Base, Gooseneck & Serrated Tip with Needle Valve - Metered Flow



Accessory/ Replacement Base Only

Part Number	Size	Std Pk	Mstr Ctn	Prod Code
LFB-BL	LE	1	0	066

Deck Mount



Accessory/ Replacement Gooseneck (3/8")

Part Number	Size	Std Pk	Mstr Ctn	Prod Code
LFGN-BL	LF	1	0	066
LFRGN-BL	LE	1	0	066

Suitable for Oil-Free air handling to 25 psi, not for distribution of compressed air or gas

JJ DOWNS INDUSTRIAL PLASTICS INC.

416.236.1884
Toronto, ON
JJDOWNS.COM