



Lab Specialty Product
Lab Ball Valves & Needle Valves

Lab Ball Valves



Socket/Threaded Valve Only

Pressure Rating @ 73°F (23°C),
Water
1/8" - 3/8" 150 psi
Maximum Service Temperature
PVC = 140°F (60°C)
CPVC = 200°F (93°C)
Temperature/Pressure De-ratings
Apply
Rated for Vacuum Service



Valve & Adapters

- Valve & Adapters includes:**
- 1 - Threaded 1/4" Valve
 - 2 - O-ring Sealed 1/4" MPT x Mipt Adapters
 - 2 - EPDM or FKM O-rings (AS568-013 size)
 - 1 - End Connector Wrench
 - 2 - O-ring Sealed 1/4" MPT x 3/8" I.D. Tubing Barb Adapters
 - OR -
 - 2 - O-ring Sealed 1/4" MPT x 1/4" I.D. Tubing Barb Adapters

All Valves Assembled with Silicone-Free, Water Soluble Lubricant

Lab Valve - PVC

Size	EPDM	FKM	Std Pk	Mstr Pk	Prod Code
Valve & Adapters Threaded Ends					
1/4X1/4T	1529-002A	1539-002A	1	25	218
1/4X3/8T	1529-002	1539-002	1	25	218

Valve only Threaded Ends

1/4	1521-002	1531-002	50	200	218
3/8	1521-003	1531-003	50	200	218

Valve Only Female x Male Thread Ends

1/8	152FM-001	153FM-001	25	200	218
1/4	152FM-002	153FM-002	25	200	218

Valve only Socket Ends

1/4	1522-002	1532-002	50	200	218
3/8	1522-003	1532-003	50	200	218

Lab Valve - CPVC

Size	EPDM	FKM	Std Pk	Mstr Pk	Prod Code
Valve & Adapters Threaded Ends					
1/4X1/4T	1529-002CA	1539-002CA	1	25	219

Lab Valve - CPVC (continued)

Size	EPDM	FKM	Std Pk	Mstr Pk	Prod Code
Valve & Adapters Threaded Ends					
1/4X3/8T	1529-002C	1539-002C	1	25	219
Valve only Threaded Ends					
1/4	1521-002C	1531-002C	50	200	219
3/8	1521-003C	1531-003C	50	200	219
Valve Only Female x Male Thread Ends					
1/8	152FM-001C		25	200	219
1/4	152FM-002C		25	200	219
Valve only Socket Ends					
1/4	1522-002C	1532-002C	50	200	219
3/8	1522-003C	1532-003C	50	200	219

Needle Valves



Pressure Rating @ 73°F (23°C), Water
PVC or CPVC 235 psi
PP 150 psi
Maximum Service Temperature
PVC = 140°F (60°C)
CPVC = 200°F (93°C)
PP = 180°F (82°C)
Solid PTFE Stem Seals
No Elastomer or Lubricants used
Valves include Panel Mounting Nut

PVC Needle Valve

Size	Threaded	Socket	SR Threaded	Std Pk	Mstr Pk	Prod Code
Globe Pattern						
1/4	5591-002	5592-002		1	18	218
3/8	5591-003	5592-003	5591-003SR	1	18	218
1/2	5591-005	5592-005	5591-005SR	1	18	218

Angle Pattern

1/4	5691-002	5692-002		1	18	218
3/8	5691-003	5692-003		1	18	218
1/2	5691-005	5692-005	5691-005SR	1	18	218

CPVC Needle Valve

Size	Threaded	Socket	SR Threaded	Std Pk	Mstr Pk	Prod Code
Globe Pattern						
1/4	5591-002C	5592-002C		1	18	219
3/8	5591-003C	5592-003C	5591-003CSR	1	18	219
1/2	5591-005C	5592-005C	5591-005CSR	1	18	219

Angle Pattern

1/4	5691-002C	5692-002C		1	18	219
3/8	5691-003C	5692-003C		1	18	219
1/2	5691-005C	5692-005C	5691-005CSR	1	18	219

PP Needle Valve

Size	Threaded	SR Threaded	Std Pk	Mstr Pk	Prod Code
Globe Pattern					
1/4	5591-002P		1	18	219
3/8	5591-003P		1	18	219

Suitable for Oil-Free air handling to 25 psi, not for distribution of compressed air or gas

JJ DOWNS INDUSTRIAL PLASTICS INC.

international association
of plastics distribution

416.236.1884 Toronto, ON JJDOWN.COM



Lab Specialty Product
Needle Valves & Gauge Guards

Needle Valves

PP Needle Valve (continued)

Size	Threaded	SR Threaded	Std Pk	Mstr Pk	Prod Code
Globe Pattern					
1/2		5591-005PSR	1	18	219
Angle Pattern					
1/4	5691-002P		1	18	219
3/8	5691-003P		1	18	219
1/2		5691-005PSR	1	18	219

Gauge Guards



Connections use Spears® Patented Special Reinforced (SR) Female Threads on Pressure Inlet (1/4" or 1/2")

Pressure Rating	Maximum Service Temperature
235 psi @ 73°F	PVC = 140°F (60°C)
16 BAR @ 22°C	CPVC = 200°F (93°C)
	PP = 180°F (82°C)

Temperature/Pressure De-ratings Apply
Rated for Full Vacuum Service

Gauge Guards are pre-filled with glycerin-water on units with Factory Installed Gauges. "No Gauge" units are to be filled by end user.

PVC GAUGE GUARDS

Size	1/4" Inlet Connection	1/2" Inlet Connection	Std Pk	Mstr Pk	Prod Code
PTFE Diaphragm					
No Gauge	G0004-002	G0004-005	1	18	624
0-30 in-Hg	G30V4-002	G30V4-005	1	18	624
0-15 psi	G0154-002	G0154-005	1	18	624
0-30 psi	G0304-002	G0304-005	1	18	624
0-60 psi	G0604-002	G0604-005	1	18	624
0-100 psi	G1004-002	G1004-005	1	18	624
0-160 psi	G1604-002	G1604-005	1	18	624
0-200 psi	G2004-002	G2004-005	1	18	624
0-300 psi	G3004-002	G3004-005	1	18	624
FKM Diaphragm					
No Gauge	G0003-002	G0003-005	1	18	624
0-30 in-Hg	G30V3-002	G30V3-005	1	18	624
0-15 psi	G0153-002	G0153-005	1	18	624
0-30 psi	G0303-002	G0303-005	1	18	624
0-60 psi	G0603-002	G0603-005	1	18	624
0-100 psi	G1003-002	G1003-005	1	18	624
0-160 psi	G1603-002	G1603-005	1	18	624

FKM Diaphragm

Size	1/4" Inlet Connection	1/2" Inlet Connection	Std Pk	Mstr Pk	Prod Code
No Gauge	G0004-002	G0004-005	1	18	624
0-30 in-Hg	G30V4-002	G30V4-005	1	18	624
0-15 psi	G0154-002	G0154-005	1	18	624
0-30 psi	G0304-002	G0304-005	1	18	624
0-60 psi	G0604-002	G0604-005	1	18	624
0-100 psi	G1004-002	G1004-005	1	18	624
0-160 psi	G1604-002	G1604-005	1	18	624

PVC GAUGE GUARDS (continued)

Size	1/4" Inlet Connection	1/2" Inlet Connection	Std Pk	Mstr Pk	Prod Code
FKM Diaphragm					
0-200 psi	G2003-002	G2003-005	1	18	624
0-300 psi	G3003-002	G3003-005	1	18	624
EPDM Diaphragm					
No Gauge	G0002-002	G0002-005	1	18	624
0-30 in-Hg	G30V2-002	G30V2-005	1	18	624
0-15 psi	G0152-002	G0152-005	1	18	624
0-30 psi	G0302-002	G0302-005	1	18	624
0-60 psi	G0602-002	G0602-005	1	18	624
0-100 psi	G1002-002	G1002-005	1	18	624
0-160 psi	G1602-002	G1602-005	1	18	624
0-200 psi	G2002-002	G2002-005	1	18	624
0-300 psi	G3002-002	G3002-005	1	18	624

GAUGE GUARDS, CPVC

Size	1/4" Inlet Connection	1/2" Inlet Connection	Std Pk	Mstr Pk	Prod Code
PTFE Diaphragm					
No Gauge	G0004-002C	G0004-005C	1	18	625
0-30 in-Hg	G30V4-002C	G30V4-005C	1	18	625
0-15 psi	G0154-002C	G0154-005C	1	18	625
0-30 psi	G0304-002C	G0304-005C	1	18	625
0-60 psi	G0604-002C	G0604-005C	1	18	625
0-100 psi	G1004-002C	G1004-005C	1	18	625
0-160 psi	G1604-002C	G1604-005C	1	18	625
0-200 psi	G2004-002C	G2004-005C	1	18	625
0-300 psi	G3004-002C	G3004-005C	1	18	625
FKM Diaphragm					
No Gauge	G0003-002C	G0003-005C	1	18	625
0-30 in-Hg	G30V3-002C	G30V3-005C	1	18	625
0-15 psi	G0153-002C	G0153-005C	1	18	625
0-30 psi	G0303-002C	G0303-005C	1	18	625
0-60 psi	G0603-002C	G0603-005C	1	18	625
0-100 psi	G1003-002C	G1003-005C	1	18	625
0-160 psi	G1603-002C	G1603-005C	1	18	625
0-200 psi	G2003-002C	G2003-005C	1	18	625
0-300 psi	G3003-002C	G3003-005C	1	18	625

FKM Diaphragm

Size	1/4" Inlet Connection	1/2" Inlet Connection	Std Pk	Mstr Pk	Prod Code
EPDM Diaphragm					
No Gauge	G0002-002C	G0002-005C	1	18	625
0-30 in-Hg	G30V2-002C	G30V2-005C	1	18	625
0-15 psi	G0152-002C	G0152-005C	1	18	625
0-30 psi	G0302-002C	G0302-005C	1	18	625
0-60 psi	G0602-002C	G0602-005C	1	18	625
0-100 psi	G1002-002C	G1002-005C	1	18	625
0-160 psi	G1602-002C	G1602-005C	1	18	625
0-200 psi	G2002-002C	G2002-005C	1	18	625
0-300 psi	G3002-002C	G3002-005C	1	18	625

GAUGE GUARDS, PP

Size	1/4" Inlet Connection	1/2" Inlet Connection	Std Pk	Mstr Pk	Prod Code
PTFE Diaphragm					
No Gauge	G0004-002P	G0004-005P	1	18	626
0-30 in-Hg	G30V4-002P	G30V4-005P	1	18	626
0-15 psi	G0154-002P	G0154-005P	1	18	626
0-30 psi	G0304-002P	G0304-005P	1	18	626
0-60 psi	G0604-002P	G0604-005P	1	18	626

Suitable for Oil-Free air handling to 25 psi, not for distribution of compressed air or gas

JJ DOWNS INDUSTRIAL PLASTICS INC.

416.236.1884
Toronto, ON
JJDOWNS.COM



Lab Specialty Product
Gauge Guards & Lab Fixtures

Gauge Guards

GAUGE GUARDS, PP (continued)

Size	1/4" Inlet Connection	1/2" Inlet Connection	Std Pk	Mstr Pk	Prod Code
PTFE Diaphragm					
0-100 psi	G1004-002P	G1004-005P	1	18	626
0-160 psi	G1604-002P	G1604-005P	1	18	626
0-200 psi	G2004-002P	G2004-005P	1	18	626
0-300 psi	G3004-002P	G3004-005P	1	18	626

FKM Diaphragm

No Gauge	G0003-002P	G0003-005P	1	18	626
0-30 in-Hg	G30V3-002P	G30V3-005P	1	18	626
0-15 psi	G0153-002P	G0153-005P	1	18	626
0-30 psi	G0303-002P	G0303-005P	1	18	626
0-60 psi	G0603-002P	G0603-005P	1	18	626
0-100 psi	G1003-002P	G1003-005P	1	18	626
0-160 psi	G1603-002P	G1603-005P	1	18	626
0-200 psi	G2003-002P	G2003-005P	1	18	626
0-300 psi	G3003-002P	G3003-005P	1	18	626

EPDM Diaphragm

No Gauge	G0002-002P	G0002-005P	1	18	626
0-30 in-Hg	G30V2-002P	G30V2-005P	1	18	626
0-15 psi	G0152-002P	G0152-005P	1	18	626
0-30 psi	G0302-002P	G0302-005P	1	18	626
0-60 psi	G0602-002P	G0602-005P	1	18	626
0-100 psi	G1002-002P	G1002-005P	1	18	626
0-160 psi	G1602-002P	G1602-005P	1	18	626
0-200 psi	G2002-002P	G2002-005P	1	18	626
0-300 psi	G3002-002P	G3002-005P	1	18	626

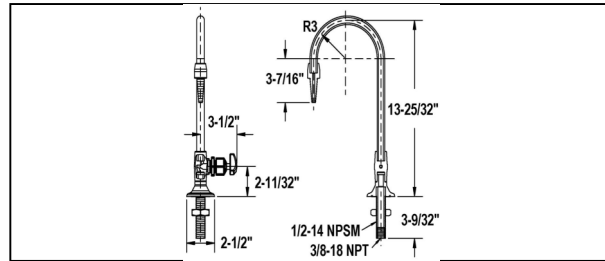
Lab Fixtures

100% Corrosion Resistance - No Metal Parts

Spears® Lab Fixtures have no metal parts; this provides full resistance to internal or environmental corrosion. These fixtures are compatible with all laboratory service lines. Lab Fixtures are produced from PVC (gray) and CPVC (for hot water), or special Low-Extractable PVC for high purity applications, and are available in a variety of types and configurations.

- Deck Mount – base configuration for horizontal surface mounting.
- Panel Mount – base configuration for vertical surface mounting.
- Standard Gooseneck Units – select all-plastic needle valve unit (no elastomer seals) for metered flow or ball valve unit (choice of EPDM or FKM seals) for direct flow. Unit includes valve, gooseneck with serrated tip, and base with nut for mounting. Select Deck or Panel Mount style.
- Standard Turret Units – direct flow ball valve (choice of EPDM or FKM seals) with serrated tip and base with connecting nipple and nut for mounting. Select Deck or Panel Mount style.
- Remote Valve Units (No Valve) – same as standard units less valve for use with remotely located valve.
- Recirculating Units – Special design provides continuous water motion without dead-leg areas of contamination and potential bacteria build-up. Internal supply tube fully circulates water through the entire fixture when connected to circulating water supply. Unit features gooseneck with terminally mounted all-plastic needle valve and serrated tip (no elastomer seals) for metered flow. Base is Deck Mount only with inlet and outlet connecting nipples with mounting nuts.

NPT - American National Standard Tapered Pipe Thread • NPSM - American National Standard Straight Thread For Free Fitting Mechanical Joints

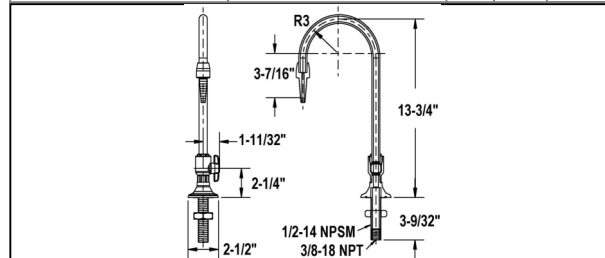


Gooseneck Units - Deck Mount Lab Fixture w/Needle Valve

Part Number	Material	Std Pk	Mstr Ctn	Prod Code
-------------	----------	--------	----------	-----------

Base, Gooseneck & Serrated Tip with Needle Valve-Metered Flow

LF1000-N	PVC, PTFE Seal	1	0	218
LF1000-CN	CPVC, PTFE Seal	1	0	219
LF1000-BLN	LE, PTFE Seal	1	0	066



Gooseneck Units - Deck Mount Lab Fixture w/Ball Valve

Part Number	Material	Std Pk	Mstr Ctn	Prod Code
-------------	----------	--------	----------	-----------

Base, Gooseneck & Serrated Tip with Ball Valve-Direct Flow

LF1002	PVC, EPDM Seal	1	0	218
LF1003	PVC, FKM Seal	1	0	218
LF1002-C	CPVC, EPDM Seal	1	0	219

Suitable for Oil-Free air handling to 25 psi, not for distribution of compressed air or gas

JJ DOWNS INDUSTRIAL PLASTICS INC.

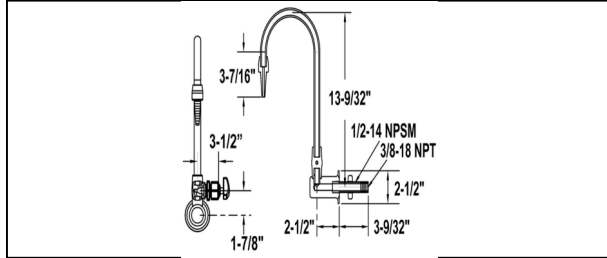
416.236.1884
Toronto, ON
JJDOWNS.COM

Lab Fixtures

Gooseneck Units - Deck Mount Lab Fixture w/Ball Valve

(continued)

Part Number	Material	Std Pk	Mstr Ctn	Prod Code
Base, Gooseneck & Serrated Tip with Ball Valve-Direct Flow				
LF1003-C	CPVC, FKM Seal	1	0	219
LF1002-BL	LE, EPDM Seal	1	0	066
LF1003-BL	LE, FKM Seal	1	0	066

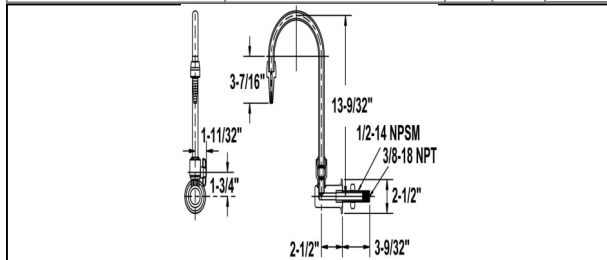


Gooseneck Units - Panel Mount Lab Fixture w/Needle Valve

Part Number	Material	Std Pk	Mstr Ctn	Prod Code
-------------	----------	--------	----------	-----------

Base, Gooseneck & Serrated Tip with Needle Valve-Metered Flow

LF2000-N	PVC, PTFE Seal	1	0	218
LF2000-CN	CPVC, PTFE Seal	1	0	219

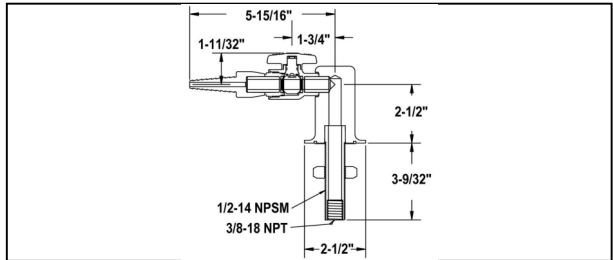


Standard Gooseneck Units - Panel Mount Lab Fixture -

Part Number	Material	Std Pk	Mstr Ctn	Prod Code
-------------	----------	--------	----------	-----------

with Ball Valve-Direct Flow

LF2002	PVC, EPDM Seal	3	0	218
LF2003	PVC, FKM Seal	3	0	218
LF2002-C	CPVC, EPDM Seal	1	0	219
LF2003-C	CPVC, FKM Seal	1	0	219

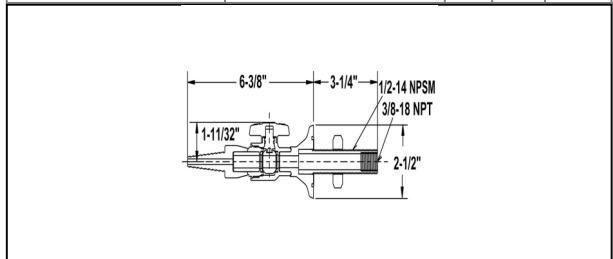


Turret Units - Deck Mount Turret Lab Fixtures Base w/Ball Valve

Part Number	Material	Std Pk	Mstr Ctn	Prod Code
-------------	----------	--------	----------	-----------

Turret Base & Serrated Tip with Ball Valve-Direct Flow

LF4002	PVC, EPDM Seal	1	0	218
LF4003	PVC, FKM Seal	1	0	218
LF4002-C	CPVC, EPDM Seal	1	0	219
LF4003-C	CPVC, FKM Seal	1	0	219

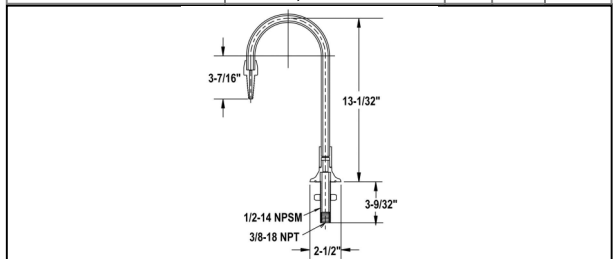


Turret Units - Panel Mount Turret Lab Fixture Base w/Ball Valve

Part Number	Material	Std Pk	Mstr Ctn	Prod Code
-------------	----------	--------	----------	-----------

Turret Base, Serrated Tip with Ball Valve-Direct Flow

LF3002	PVC, EPDM Seal	1	0	218
LF3003	PVC, FKM Seal	1	0	218
LF3002-C	CPVC, EPDM Seal	1	0	219
LF3003-C	CPVC, FKM Seal	1	0	219
LF3002-BL	LE, EPDM Seal	1	0	066
LF3003-BL	LE, FKM Seal	1	0	066



Remote Valve Units (No Valve) - Deck Mount Gooseneck -

Part Number	Material	Std Pk	Mstr Ctn	Prod Code
-------------	----------	--------	----------	-----------

Base, Gooseneck & Serrated Tip

LF100	PVC	1	0	218
LF100-C	CPVC	1	0	219

Suitable for Oil-Free air handling to 25 psi, not for distribution of compressed air or gas



JJ DOWNS INDUSTRIAL PLASTICS INC.

416.236.1884 Toronto, ON JJDOWNS.COM



member
iapd
international association
of plastics distribution

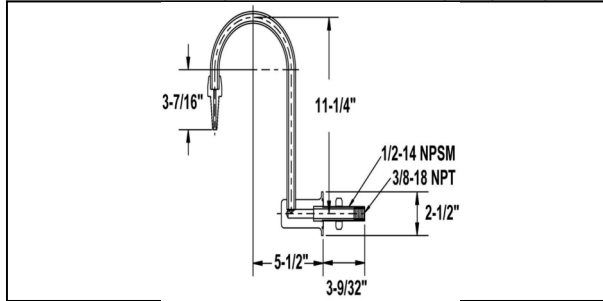


Lab Specialty Product
Lab Fixtures

Lab Fixtures

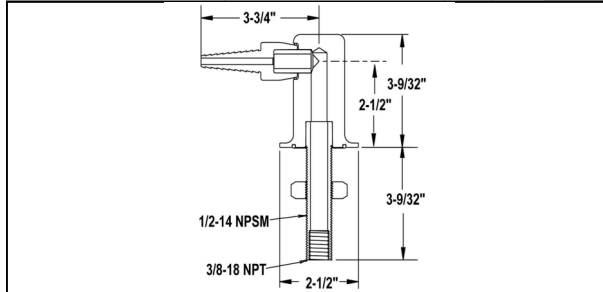
Remote Valve Units (No Valve) - Deck Mount Gooseneck -
(continued)

Part Number	Material	Std Pk	Mstr Ctn	Prod Code
Base, Gooseneck & Serrated Tip				
LF100-BL	LE	1	0	066



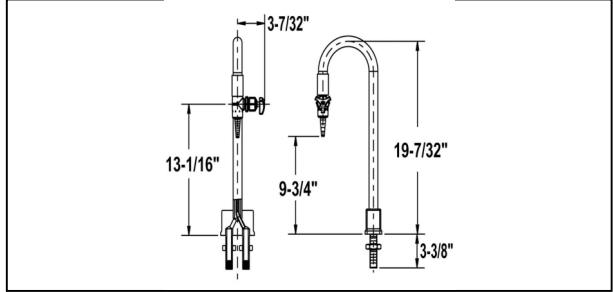
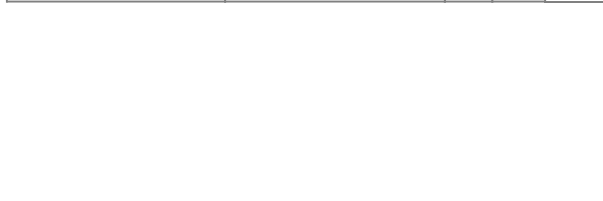
Remote Valve Units (No Valve) - Panel Mount Gooseneck -

Part Number	Material	Std Pk	Mstr Ctn	Prod Code
Base, Gooseneck & Serrated Tip				
LF104	PVC	1	0	218
LF104-C	CPVC	1	0	219



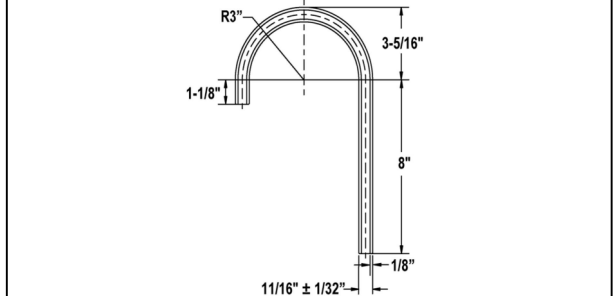
Remote Valve Units (No Valve) - Deck Mount Turret

Part Number	Material	Std Pk	Mstr Ctn	Prod Code
Turret Base & Serrated Tip				
LF300	PVC	1	0	218
LF300-C	CPVC	1	0	219



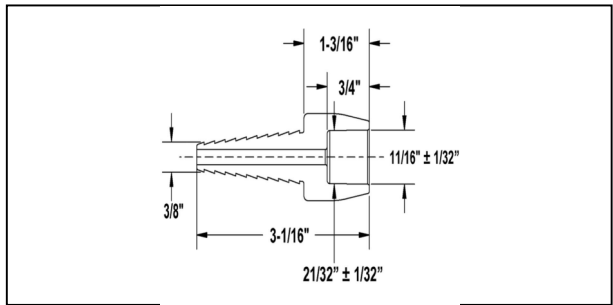
Gooseneck Recirculating Units -Deck Mount Lab Fixture w/Needle Valve

Part Number	Material	Std Pk	Mstr Ctn	Prod Code
Base, Gooseneck & Serrated Tip with Needle Valve-Metered Flow				
LFR1000-N	PVC, PTFE Seal	1	0	218
LFR1000-CN	CPVC, PTFE Seal	1	0	219
LFR1000-BLN	LE, PTFE Seal	1	0	066



Accessory/ Replacement - Gooseneck (3/8")

Part Number	Material	Std Pk	Mstr Ctn	Prod Code
LFGN	PVC	1	0	218
LFGN-C	CPVC	1	0	219
LFGN-BL	LF	1	0	066



Accessory/ Replacement - Straight Serrated Tip

Part Number	Material	Std Pk	Mstr Ctn	Prod Code
LF400	PVC	600	0	218
LF400-C	CPVC	600	0	219
LF400-BL	LE	600	0	066

Suitable for Oil-Free air handling to 25 psi, not for distribution of compressed air or gas

JJ DOWNS INDUSTRIAL PLASTICS INC.

416.236.1884

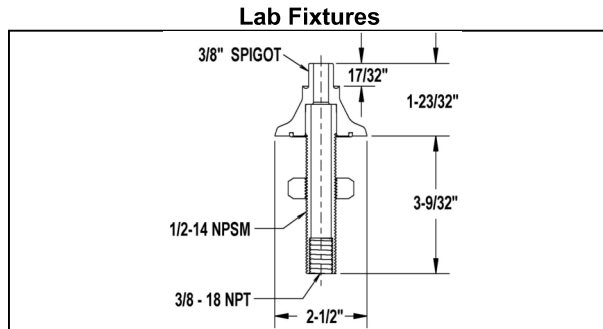
Toronto, ON

JJDOWNS.COM

member
iapd
international association
of plastics distribution



Lab Specialty Product
Lab Fixtures



Accessory/ Replacement - Base

Part Number	Material	Std Pk	Mstr Ctn	Prod Code
-------------	----------	--------	----------	-----------

Deck Mount

LFB	PVC	1	0	218
LFB-C	CPVC	1	0	219
LFB-BL	LE	1	0	066

Suitable for Oil-Free air handling to 25 psi, not for distribution of compressed air or gas



JJ DOWNS INDUSTRIAL PLASTICS INC.



member
iapd
international association
of plastics distribution

416.236.1884
Toronto, ON
JJDOWNS.COM