



LabWaste® Product  
**LabWaste® Standard CPVC & HDPE Neutralization Tanks**

**Acid Neutralization/Dilution Tanks for Use With LabWaste® CPVC Systems**

Neutralization or dilution tanks are required by codes for the purpose of neutralizing corrosive wastes. Corrosive liquids, spent acids or other harmful chemicals that destroy or damage a drain, sewer, soil or waste pipe, or create noxious or toxic fumes or interfere with sewage treatment processes are prohibited from discharge into the plumbing system without being neutralized or treated. Spears® offers a standard selection of HDPE tanks in 5 gallon to 3000 gallon capacities and CPVC tanks in 5 gallon to 55 gallon capacities with connection and vent options listed below, plus convenient 1- gallon Dilution Tank designed for under-sink installation. Tanks can also be produced in virtually any custom size, shape, or connection configuration. Contact Spears® Technical Services with desired specifications for custom quotation.

**Standard HDPE Round Tanks Technical Information**

Construction: HDPE – High Density Polyethylene

| Tank Capacity US Gallons | Approx Useable Capacity, US Gallons |                | Inside Dimension Dia. x Ht. (in.) | Wall Thickness (in.) | Approx Weight (lbs) | Standard Inlet & Outlet Connection Size (in.) | Standard Fitting Connection | LabWaste® Transition Connection Fitting <sup>3</sup> | Optional <sup>4</sup> Vent Connection Size (in.) | Approx. Centerline Height (in.) <sup>5</sup> |        |      |
|--------------------------|-------------------------------------|----------------|-----------------------------------|----------------------|---------------------|---|-----------------------------|--|--|--|--------|------|
|                          | Without Limestone                   | With Limestone |                                   |                      |                     |   |                             |  |  | Inlet  | Outlet | Vent |
| 5                        | 3                                   | 1              | 11 x 14                           | 3/16                 | 10                  | 1-1/2 or 2                                    | Mipt                        | P101   | 1-1/2 or 2                                       | 11   | 8      | 12   |
| 15                       | 7                                   | 2              | 18 x 15                           | 3/16                 | 20                  | 1-1/2 or 2                                    | Mipt                        | P101   | 1-1/2 or 2                                       | 11   | 8      | 12   |
| 30                       | 19                                  | 6              | 18 x 29                           | 3/16                 | 35                  | 3   | Mipt                        | P101   | 2 or 3   | 23   | 19     | 25   |
| 55                       | 35                                  | 12             | 22 x 36                           | 3/16                 | 50                  | 4   | Mipt                        | P101   | 3 or 4   | 27   | 23     | 31   |
| 100                      | 77                                  | 26             | 28 x 42                           | 1/4                  | 85                  | 4   | Mipt                        | P101   | 3 or 4   | 35   | 31     | 37   |
| 150                      | 105                                 | 35             | 31 x 48                           | 1/4                  | 100                 | 4   | Mipt                        | P101   | 3 or 4   | 38   | 34     | 42   |
| 175                      | 135                                 | 45             | 30 x 60                           | 1/4                  | 125                 | 4   | Mipt                        | P101   | 3 or 4   | 51   | 47     | 54   |
| 200                      | 137                                 | 46             | 36 x 48                           | 1/4                  | 125                 | 4 or 6  | Mipt/Flange                 | P101/854   | 4 or 6   | 38   | 34     | 42   |
| 275                      | 186                                 | 62             | 42 x 48                           | 1/4                  | 160                 | 4 or 6  | Mipt/Flange                 | P101/854   | 4 or 6   | 38   | 34     | 42   |
| 300                      | 230                                 | 76             | 36 x 74                           | 5/16                 | 175                 | 4 or 6  | Mipt/Flange                 | P101/854   | 4 or 6   | 61   | 56     | 65   |
| 350                      | 243                                 | 81             | 48 x 48                           | 5/16                 | 200                 | 4 or 6  | Mipt/Flange                 | P101/854   | 4 or 6   | 38   | 34     | 42   |
| 500                      | 395                                 | 132            | 52 x 60                           | 3/8                  | 225                 | 4 or 6  | Mipt/Flange                 | P101/854   | 4 or 6   | 51   | 47     | 54   |
| 550                      | 447                                 | 149            | 48 x 72                           | 3/8                  | 275                 | 4 or 6  | Mipt/Flange                 | P101/854   | 4 or 6   | 64   | 60     | 67   |
| 650                      | 548                                 | 183            | 48 x 84                           | 3/8                  | 375                 | 4 or 6  | Mipt/Flange                 | P101/854   | 4 or 6   | 75   | 71     | 76   |
| 1200                     | 1052                                | 351            | 69 x 84                           | 3/8                  | 600                 | 4 or 6  | Mipt/Flange                 | P101/854   | 4 or 6   | 74   | 68     | 76   |
| 2000 <sup>1</sup>        | 1559                                | 521            | 84 x 84                           | 1/2                  | 850                 | 4 or 6  | Mipt/Flange                 | P101/854   | 4 or 6   | 74   | 68     | 76   |
| 3000 <sup>1</sup>        | 2203                                | 735            | 95 x 97                           | 1/2                  | 1350                | 4 or 6  | Mipt/Flange                 | P101/854   | 4 or 6   | 87   | 83     | 91   |

( Important Notes on the following page )

Suitable for Oil-Free air handling to 25 psi, not for distribution of compressed air or gas

JJ DOWNS INDUSTRIAL PLASTICS INC.

416.236.1884
Toronto, ON
JJDOWNS.COM



LabWaste® Product  
**LabWaste® Standard CPVC & HDPE Neutralization Tanks**

**Standard CPVC Round Tanks Technical Information**

Construction: Chlorinated Polyvinyl Chloride (CPVC)

| Tank Capacity<br>US Gallons | Approx Useable Capacity, US Gallons |                   | Inside Dimension<br>Dia. x Ht. (in.) | Wall Thickness<br>(in.) | Approx Weight<br>(lbs) | Standard <sup>2</sup><br>Inlet & Outlet<br>Connection<br>Size (in.) | Standard Fitting<br>Connection | LabWaste®<br>Transition<br>Connection<br>Fitting <sup>3</sup> | Optional <sup>4</sup><br>Vent<br>Connection<br>Size (in.) | Approx. Centerline<br>Height (in.) <sup>5</sup> |                 |      |
|-----------------------------|-------------------------------------|-------------------|--------------------------------------|-------------------------|------------------------|---|--------------------------------|---|---|---|-----------------|------|
|                             | Without<br>Limestone                | With<br>Limestone |                                      |                         |                        |   |                                |   |   | Inlet   | Outlet          | Vent |
|                             | 5                                   | 5                 |                                      |                         |                        |   |                                |   |   | 3   | 12-3/8 x 15-1/2 | 3/16 |
| 15                          | 15                                  | 7                 | 17-11/16 x 17-1/4                    | 3/16                    | 35                     | 1-1/2 or 2  | Soc                            | direct  | 1-1/2 or 2  | 11  | 8               | 12   |
| 30                          | 30                                  | 18                | 17-5/8 x 33                          | 3/16                    | 54                     | 3   | Soc                            | direct  | 2 or 3  | 23  | 18              | 25   |
| 55                          | 55                                  | 35                | 23-1/2 x 38-1/2                      | 1/4                     | 70                     | 4   | Soc                            | direct  | 3 or 4  | 27  | 23              | 31   |

**Important Notes**

- Larger HDPE tanks may include exterior steel banding or fiberglass reinforcement for additional strength. Special ordered optional inspection manhole ports are recommended for larger tanks (includes cover with neoprene gasket, stainless steel nuts, bolts, and washers).
- All tanks can be special ordered with Mipt, Flanged (150#), and Fipt connections or varying combinations other than standard connections specified. Inlets or vents may also be custom ordered for installation in covers instead of tank sides.
- For transitions from Mipt HDPE tank connections to **LabWaste®** piping use part numbers P101-xxxC, Female Adapter. CPVC tank sockets can be cemented directly to **LabWaste®** piping. For transitions from ALL flanged connections to **LabWaste®** piping use part numbers 854-xxxC, Flange (xxx = size code).
- Venting is required by codes but may be accomplished either at the tank or in-line.
- Neutralization tanks and tank extensions are not warranted for direct burial applications. Tanks must be properly placed and secured with no applied stresses, within a dry concrete vault with use of a protective traffic cover as deemed appropriate. However, if direct burial is used without warranty, custom centerlines must be furnished from top of cover down to fitting centerline instead of specified tank bottom to fittings centerline since tank heights can vary.

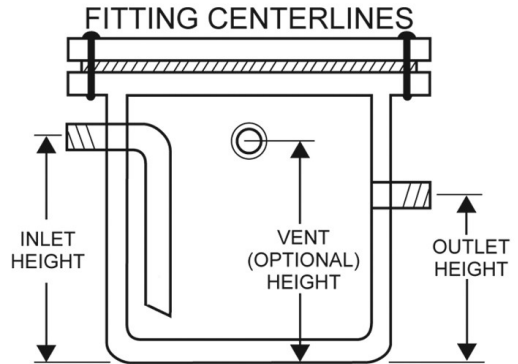
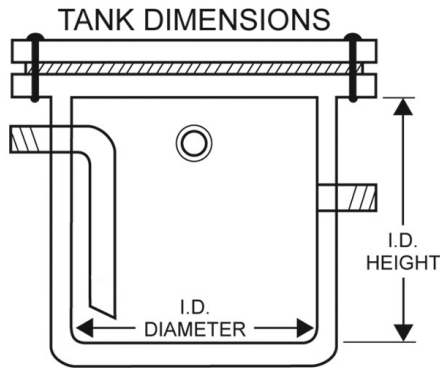
**Suitable for Oil-Free air handling to 25 psi, not for distribution of compressed air or gas**

JJ DOWNS INDUSTRIAL PLASTICS INC.

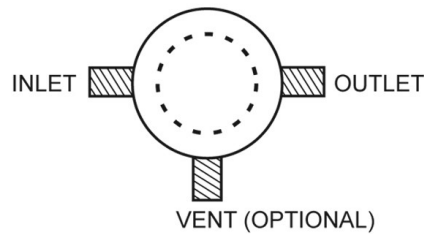
416.236.1884
Toronto, ON
JJDOWNS.COM



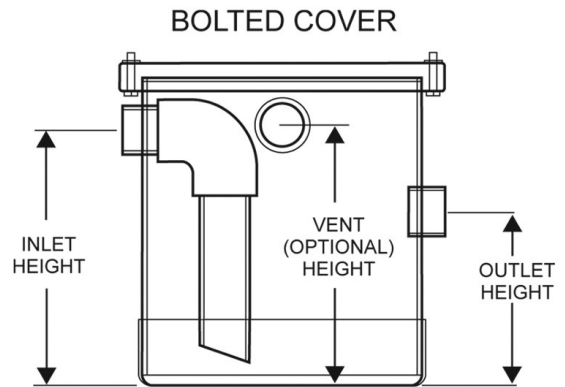
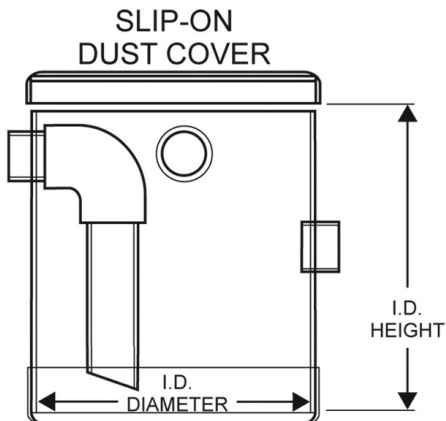
LabWaste® Product  
**LabWaste® Standard CPVC & HDPE Neutralization Tanks**



TOP VIEW  
STANDARD FITTING LOCATIONS



(Advise If You Want  
Standard Locations Changed)



Suitable for Oil-Free air handling to 25 psi, not for distribution of compressed air or gas

JJ DOWNS INDUSTRIAL PLASTICS INC.

416.236.1884 Toronto, ON JJDOWNS.COM



LabWaste® Product  
**LabWaste® Standard HDPE Round Neutralization Tanks**

**LabWaste® Standard HDPE Round Neutralization Tanks**

| Nominal US Gallons | Inlet & Outlet Size (in.) | Inlet & Outlet Connection | HDPE Tank Part No. | Prod Code |
|--------------------|---------------------------|---------------------------|--------------------|-----------|
| 5                  | 1-1/2                     | Mipt                      | T20051414B         | 169       |
| 5                  | 2                         | Mipt                      | T20052424B         | 169       |
| 15                 | 1-1/2                     | Mipt                      | T20151414B         | 169       |
| 15                 | 2                         | Mipt                      | T20152424B         | 169       |
| 30                 | 3                         | Mipt                      | T20303434B         | 169       |
| 55                 | 4                         | Mipt                      | T20554444B         | 169       |
| 100                | 4                         | Mipt                      | T21004444B         | 169       |
| 150                | 4                         | Mipt                      | T21504444B         | 169       |
| 175                | 4                         | Mipt                      | T21754444B         | 169       |
| 200                | 4                         | Mipt                      | T22004444B         | 169       |
| 275                | 4                         | Mipt                      | T22754444B         | 169       |
| 300                | 4                         | Mipt                      | T23004444B         | 169       |
| 350                | 4                         | Mipt                      | T23504444B         | 169       |
| 500                | 4                         | Mipt                      | T25004444B         | 169       |
| 550                | 4                         | Mipt                      | T25504444B         | 169       |
| 650                | 4                         | Mipt                      | T26504444B         | 169       |
| 1200               | 4                         | Mipt                      | T212C4444B         | 169       |
| 2000               | 4                         | Mipt                      | T220C4444B         | 169       |
| 3000               | 4                         | Mipt                      | T230C4444B         | 169       |

| Optional Vent Outlet(recommended) for HDPE Tank |                 |                    |           |
|---|-----------------|--------------------|-----------|
| Vent Size (in.)                                 | Vent Connection | Add-on to Part No. | Prod Code |
| 1-1/2   | Mipt            | 14                 | 169       |
| 2   | Mipt            | 24                 | 169       |
| 3   | Mipt            | 34                 | 169       |
| 4   | Mipt            | 44                 | 169       |
| 6   | Mipt            | 63                 | 169       |

Example: T20051414B14  
 Add-on pricing Call Spears for MSRP.

**These are most commonly used tanks and vent options  
 Contact Spears® for availability of desired variations**

Suitable for Oil-Free air handling to 25 psi, not for distribution of compressed air or gas

|  |  |
|--|--|
|  |  |
| JJ DOWNS INDUSTRIAL PLASTICS INC.            | <small>member<br/>international association<br/>of plastics distribution</small> |
| 416.236.1884                                 | Toronto, ON  |
| <a href="http://JJDOWNS.COM">JJDOWNS.COM</a> |  |



LabWaste® Product  
**LabWaste® Standard CPVC Round Neutralization Tanks**

| <b>LabWaste® Standard CPVC Round Neutralization Tanks</b>                     |                           |                           |                    |              |           |
|---|---------------------------|---------------------------|--------------------|--------------|-----------|
| Additional Inlet/Outlet Sizes, Combinations & Custom Configurations Available |                           |                           |                    |              |           |
| Nominal US Gallons  | Inlet & Outlet Size (in.) | Inlet & Outlet Connection | CPVC Tank Part No. |              | Prod Code |
|   |                           |                           | Dust (slip) Cover  | Bolted Cover |           |
| 5   | 1-1/2                     | socket                    | T30051212A         | T30051212B   | 169       |
| 5   | 2                         | socket                    | T30052222A         | T30052222B   | 169       |
| 15  | 1-1/2                     | socket                    | T30151212A         | T30151212B   | 169       |
| 15  | 2                         | socket                    | T30152222A         | T30152222B   | 169       |
| 30  | 3                         | socket                    | T30303232A         | T30303232B   | 169       |
| 55  | 4                         | socket                    | T30554242A         | T30554242B   | 169       |

| <b>Optional Vent Outlet(recommended) for CPVC Tank</b> |                 |                    |           |
|--|-----------------|--------------------|-----------|
| Vent Size (in.)  | Vent Connection | Add-on to Part No. | Prod Code |
| 1-1/2  | Socket          | 12                 | 169       |
| 2  | Socket          | 22                 | 169       |
| 3  | Mipt            | 34                 | 169       |
| 4  | Mipt            | 44                 | 169       |
| 6  | Mipt            | 63                 | 169       |

Example: T30051212A12  
 Add-on Pricing Call Spears for MSRP.

**These are most commonly used tanks and vent options  
 Contact Spears® for availability of desired variations**

**Neutralization Tank Sizing Table**

The following recommendation from the American Society of Plumbing Engineers (ASPE) may be used as a guideline for sizing tanks according to the number of lab sinks.

| Number of Lab Sinks | Tank Size | Gal (L) |
|---------------------|-----------|---------|
| 2                   | 5         | 18.9    |
| 4                   | 15        | 56.8    |
| 8                   | 30        | 113.6   |
| 16                  | 55        | 208.2   |
| 22                  | 75        | 283.9   |
| 27                  | 90        | 340.7   |
| 30                  | 108       | 408.8   |
| 40                  | 150       | 567.8   |
| 50                  | 175       | 662.4   |
| 60                  | 200       | 757.0   |
| 75                  | 275       | 1040.9  |
| 110                 | 360       | 1362.6  |
| 150                 | 500       | 1898.5  |
| 175                 | 550       | 2081.8  |
| 200                 | 650       | 2460.3  |
| 300                 | 1200      | 4542    |
| 500                 | 2000      | 7570    |
| 600                 | 3000      | 11355   |

Note: For commercial and industrial laboratories, the number of lab sinks should be multiplied by a 0.5 use factor. (ASPE Data Book Vol. 3, Page 42, 2001).

**Suitable for Oil-Free air handling to 25 psi, not for distribution of compressed air or gas**

|                                   |  |
|-----------------------------------|--|
|                                   |  |
| JJ DOWNS INDUSTRIAL PLASTICS INC. | member<br><b>iapd</b><br><small>international association<br/>of plastics distribution</small> |
| 416.236.1884                      | Toronto, ON  |
| JJDOWNS.COM                       |  |



LabWaste® Product  
**1-Gallon LabWaste® Dilution Tanks**

**LabWaste® 1-Gallon CPVC Dilution Tanks**

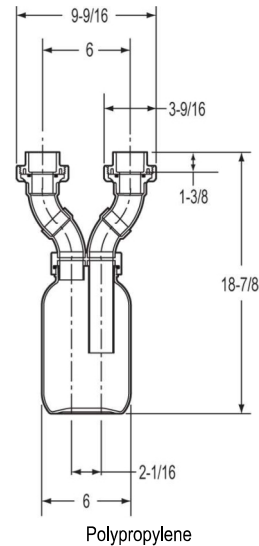
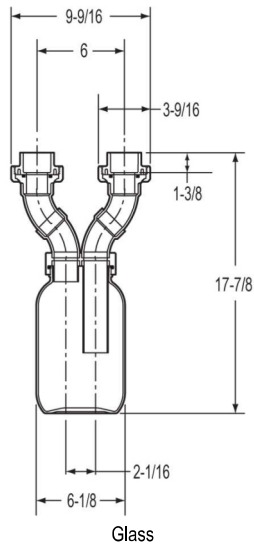
Provides chemical dilution from water rinse during use. Designed for under-sink installations. CPVC construction with Glass or PP Jar type tank.



| Nominal US Gallons | Inlet & Outlet Size (in.) | Inlet & Outlet Connection | CPVC Tank Part Glass Jar Tank No. | Prod Code |
|--------------------|---------------------------|---------------------------|-----------------------------------|-----------|
| 1                  | 1-1/2                     | Socket Union              | T3001G1515<br>827.56              | 169       |

| Nominal US Gallons | Inlet & Outlet Size (in.) | Inlet & Outlet Connection | CPVC Tank Part Polypropylene Jar Tank No. | Prod Code |
|--------------------|---------------------------|---------------------------|---|-----------|
| 1                  | 1-1/2                     | Socket Union              | T3001P1515<br>595.81                      | 169       |

**Dimensions**



**Suitable for Oil-Free air handling to 25 psi, not for distribution of compressed air or gas**

JJ DOWNS INDUSTRIAL PLASTICS INC.

416.236.1884
Toronto, ON
JJDOWNS.COM



LabWaste® Product  
**1-Gallon LabWaste® Dilution Traps**

**LabWaste® 1-Gallon CPVC Dilution Traps**

Provides chemical dilution from water rinse during use. Designed for under-sink installations as a trap. CPVC construction with Glass or PP Jar type tank.

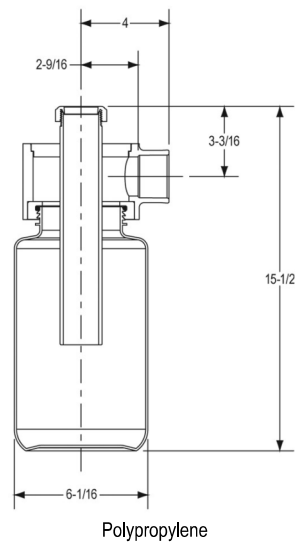
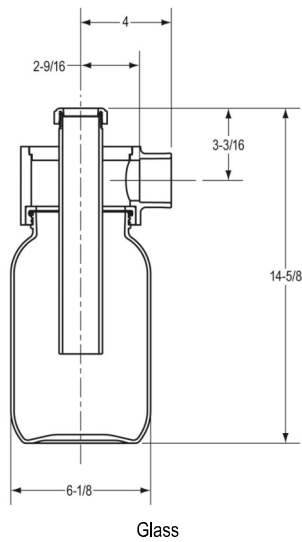
| Nominal US Gallons | Inlet & Outlet Size (in.) | Inlet  | Outlet | CPVC Tank Part<br>Glass Jar Tank No. | Prod Code |
|--------------------|---------------------------|--------|--------|--------------------------------------|-----------|
| 1                  | 1-1/2                     | Socket | Socket | T4001G1612<br>827.56                 | 169       |

| Nominal US Gallons | Inlet & Outlet Size (in.) | Inlet  | Outlet | CPVC Tank Part<br>Polypropylene Jar Tank No. | Prod Code |
|--------------------|---------------------------|--------|--------|--|-----------|
| 1                  | 1-1/2                     | Socket | Socket | T4001P1612<br>595.81                         | 169       |



Note: Slip connections are for sink drain tailpiece.

**Dimensions**



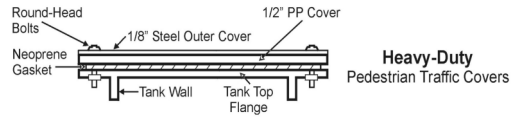
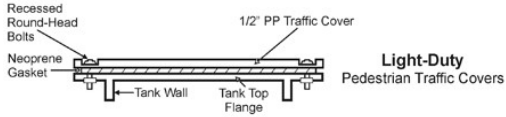
Suitable for Oil-Free air handling to 25 psi, not for distribution of compressed air or gas

JJ DOWNS INDUSTRIAL PLASTICS INC.

416.236.1884
Toronto, ON
JJDOWNS.COM



LabWaste® Product  
**LabWaste® Optional Covers**



**Pedestrian Traffic Covers**

Traffic Covers are quoted and ordered separately with tank order in lieu of standard tank cover. Constructed from 1/2" white PP with recessed bolts and anchoring nuts. Covers are designed for light pedestrian traffic and flush floor installation (for HPDE tanks only).

**Heavy-Duty Pedestrian Traffic Covers**

Traffic Covers are quoted and ordered separately with tank order in lieu of standard tank cover. Constructed with 1/8" steel, primer coated, over 1/2" white PP with round head slotted bolts and anchoring nuts. Heavy-Duty Traffic Covers are designed for heavy pedestrian traffic and flush floor installation (for HPDE tanks only).

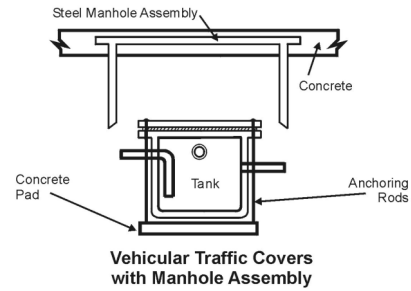
| Part Number | Tank Size Range        | Prod Code |
|-------------|------------------------|-----------|
| PTC-5       | 5-gal thru 55-gal      | 169       |
| PTC-100     | 100-gal thru 300-gal   | 169       |
| PTC-350     | 350-gal thru 650-gal   | 169       |
| PTC-1200    | 1200-gal thru 3000-gal | 169       |

| Part Number | Tank Size Range        | Prod Code |
|-------------|------------------------|-----------|
| HPTC-5      | 5-gal thru 55-gal      | 169       |
| HPTC-100    | 100-gal thru 300-gal   | 169       |
| HPTC-350    | 350-gal thru 650-gal   | 169       |
| HPTC-1200   | 1200-gal thru 3000-gal | 169       |

**Vehicular Traffic Covers**

Vehicular Traffic Covers are quoted and ordered separately with tank. Covers are constructed from minimum 3/8" Diamond Plate steel supported by an external steel frame. Standard tank covers are used on tanks located below these steel manhole assemblies. Requires concrete pad below tank. Check with factory for frame height (may be extended in the field).

| Part Number | Cover Size | Tank Application                 | Approx. Wt.(lbs.) | Prod Code |
|-------------|------------|----------------------------------|-------------------|-----------|
| VTC18R      | 18" round  | Fits 5-gallon units              | 100               | 169       |
| VTC24S      | 24" square | Fits 5-gallon units              | 100               | 169       |
| VTC30R      | 30" round  | Fits 15 & 30-gallon units        | 150               | 169       |
| VTC30S      | 30" square |                                  |                   | 169       |
| VTC36R      | 36" round  | Fits 55-gallon units             | 200               | 169       |
| VTC36S      | 36" square |                                  |                   | 169       |
| VTC42R      | 42" round  | Fits 100, 150 & 175-gallon units | 300               | 169       |
| VTC42S      | 42" square |                                  |                   | 169       |
| VTC48R      | 48" round  | Fits 200 & 300-gallon units      | 400               | 169       |
| VTC48S      | 48" square |                                  |                   | 169       |
| VTC54R      | 54" round  | Fits 275-gallon units            | 500               | 169       |
| VTC54S      | 54" square |                                  |                   | 169       |
| VTC60R      | 60" round  | Fits 350, 550 & 650-gallon units | 750               | 169       |
| VTC60S      | 60" square |                                  |                   | 169       |



**Suitable for Oil-Free air handling to 25 psi, not for distribution of compressed air or gas**

JJ DOWNS INDUSTRIAL PLASTICS INC.

416.236.1884
Toronto, ON
JJDOWNS.COM





LabWaste® Product  
**LabWaste® Manhole Ports, Tank Extensions  
 and Limestone Chips**

**Optional Inspection Manhole Ports & Tank Extensions**

Manhole Assemblies are quoted and ordered separately with tank order in lieu of standard tank cover. Assemblies include matching covers, Neoprene gaskets and stainless steel nuts, bolts, and washers; fabricated into the standard tank cover.

| Part Number | Manhole Size | Prod Code |
|-------------|--------------|-----------|
| MH180       | 18           | 169       |
| MH110       | 11           | 169       |
| MH060       | 6            | 169       |
| MH040       | 4            | 169       |

**Tank Extensions**

Tanks may be special ordered with extensions to increase the overall height of the tank. Extensions ranging from 1" to almost two (2) times the tank height are at a charge of double the MSRP for the basic tank. For example, a 55-gallon tank has a height of 36". Extended tank heights of 37" to 70" are twice the MSRP of a standard 55-gallon tank. For higher extensions, contact Spears®. Special covers are needed for flush floor, in-ground installations. Standard covers are not designed for any traffic or load bearing.

**Limestone Chips for Acid Neutralization Tanks**

Most state and local codes require the addition of a neutralization medium in acid waste tanks with the addition of water for dilution prior to discharge into a sanitary sewer system. Limestone must be 1" to 3" in diameter with a calcium carbonate content of at least 90%. Spears® offers high grade Limestone Chips having a calcium carbonate content of approximately 95%. The use of Limestone Chips is generally one of the best and least expensive means of acid neutralization, but may be used in conjunction with more sophisticated chemical treatments if necessary.

**How Much to Use:** The following is a guideline for pounds of Limestone Chips to use for one (1) tank filling (charge). It is recommended that sufficient quantity be ordered for more than one filling.

| Tank Size (gallons) | Approx. Pounds |
|---------------------|----------------|
| 5                   | 50             |
| 15                  | 100            |
| 30                  | 200            |
| 55                  | 500            |
| 100                 | 1,000          |
| 150                 | 1,750          |
| 175                 | 1,900          |
| 200                 | 2,500          |
| 275                 | 3,200          |
| 300                 | 3,200          |
| 350                 | 4,000          |
| 500                 | 5,000          |
| 550                 | 7,500          |
| 650                 | 9,000          |
| 1200                | 11,000         |
| 2000                | 16,000         |
| 3000                | 25,000         |

**Maintenance:** Tanks should be inspected routinely for accumulation of precipitated sludge and debris that must be cleaned out (usually scooped out) and for periodic addition of limestone and water if necessary. While once every one to three months may be sufficient, professional assistance should be sought to establish a proper schedule based on actual use. Note: Tank must be filled with water prior to carefully adding Limestone Chips to charge the system. Request instruction sheet.

**Standard 50-lb. Bags  
 Regular & Dolomitic Limestone**

Limestone Chips are conveniently packaged in 50-lb. plastic bags but may be special ordered loose. Actual bag weight may vary by +15%. Special dolomitic limestone is used for wastes predominantly composed of sulfuric acid (battery acid). Allow three to five weeks delivery.

| Part Number                | Contact Spears® for MSRP on multiple bag purchases |           |            |              | Prod Code |
|----------------------------|--|-----------|------------|--------------|-----------|
|                            | 1-4 bags   | 5-20 bags | 21-39 bags | 40 & up bags |           |
| <b>Regular Limestone</b>   |  |           |            |              |           |
| RLC-50                     |  |           |            |              | 169       |
| <b>Dolomitic Limestone</b> |  |           |            |              |           |
| DLC-50                     |  |           |            |              | 169       |

**Suitable for Oil-Free air handling to 25 psi, not for distribution of compressed air or gas**

JJ DOWNS INDUSTRIAL PLASTICS INC.

416.236.1884
Toronto, ON
JJDOWNS.COM