

LA Series Lab Cocks

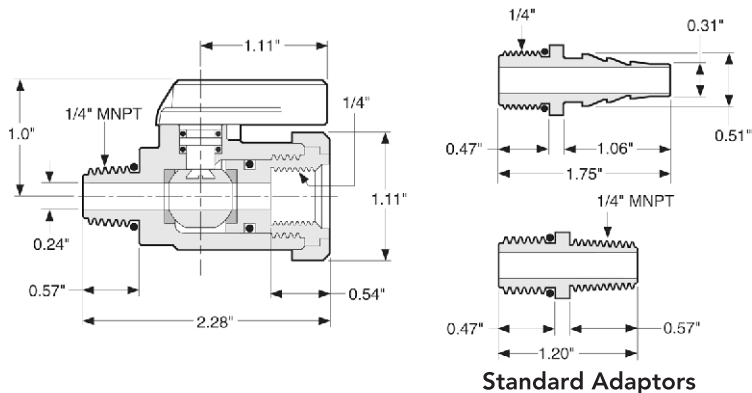
PVDF

SERIES: LA

SIZES: 1/4"

ENDS: Male Thread x Female Thread

SEALS: FKM (Viton®)



LA Series Lab Cocks feature PTFE seats, FKM (Viton®) o-ring seals and full 1/4" port. All parts are replaceable. The basic valve is male thread by female thread. Included with each valve are adaptors, plug, O-ring, strap and lockout (see photo) to provide a variety of end connections. An eyelet is provided for easy valve tagging.

Features

- **Adaptors Included**
- **1/4" Full Port** – Low pressure drop
- **Adaptors Included** – The valve along with adaptors provide for several end connections:
 - Male Thread x Female Thread
 - Male Thread x Male Thread
 - Male Thread x Hose Barb
- **Optional Adaptor** – Optional female threaded hose adaptor allows for more configurations:
 - Hose Barb x Hose Barb
 - Hose Barb x Female Thread
- **Safety Plug with Strap**
 - A safety plug attached to the valve with a strap is included
- **Lockout Device**
 - Handle lockout device for the closed position is included

WORKING PRESSURES PSI

Material	0-40°C 32-104°F	60°C 140°F	80°C 176°F	100°C 212°F	120°C 248°F
PVC	150	30	–	–	–
PVDF	150	90	75	60	35

Temperature Ranges: PVC 0 to 60°C (32 to 140°F),
PVDF -40 to 120°C (-40 to 248°F)

Cv VALUE VS. OPENING

Opening	25%	50%	75%	100%
Cv Value	0.31	0.62	0.92	1.23

VACUUM RATING

- 29.9 inches mercury



JJD



JJ DOWNS INDUSTRIAL PLASTICS INC.

416.236.1884

Toronto, ON

JJDOWNS.COM