

K4 Butterfly Valve - Gear Operator

POWER
VALVE-CONTROLLED

PPGR(glass reinforced) Body

SIZES: 2-1/2" – 8" (DN65 to DN200)

SEALS: EPDM or Viton

DISC MATERIALS: PVC, CPVC, PP, PVDF

Features:

- Inventory minimized – Stocking one body (PPGR rated at 250°F)
- Compact design is ideal for flow control in tight spaces.
- Variable locking positions.
- One piece non-wetted 316 stainless steel shaft with engagement over the full length of the disc provides for easy opening and closing and helps prevent blowouts.
- Visual position indicator allows for easy viewing.
- Materials are NSF listed.
- CRN No.: 0C13843.5, 0C13843.56

Sample Specifications:

- quarter turn gear operators shall be made with IP67 (NEMA 4) enclosures made from 380 Aluminum and painted with corrosion protection EPOXY type paint.
- The internal gear train shall be of self-locking, high efficiency type design with needle thrust bearings and thrust washers used for the drive shaft.
- All gear operators shall be filled 50% grease filled for life.
- All gear operators shall have an output to input ratio of 40:1, with a maximum output of 1200 inch lbs. and shall be suitable for continuous operation from minus 40 to plus 175°F.
- All gear operators shall be supplied with interchangeable out drive bushing with Nitrile O-Ring seal (Viton or EPDM shall be offered as an option).
- All gear operators shall be of 90 degrees turn with plus/minus five degrees adjustable integrated mechanical position stops on both ends.
- Visual position indicator shall show open and closed position and shall be divided by 10 degrees increments.
- All gear operators shall be equipped with Tempered 4140 steel worm shafts that are permanently sealed with a HYTREL 4556 oil seals.
- Operator hand wheel shall be attached to worm drive shaft by a removable split dowel pin and the hand wheel shall have permanent markings identifying the direction of rotation in relation to valve open-closing motion.
- JJD offer ¼ Turn gear operators made from 316 Stainless Steel for highly corrosive environments.

NOTE: For additional specifications, please refer to K4 Butterfly Valve with Lever Handle data page.

Options & Accessories:

- Pneumatically or electrically actuated
- Stainless steel shaft extensions
- Stainless Steel lug inserts for dead end service
- Limit switches for open and/or closed position indication



JJD

JJ DOWNS INDUSTRIAL PLASTICS INC.

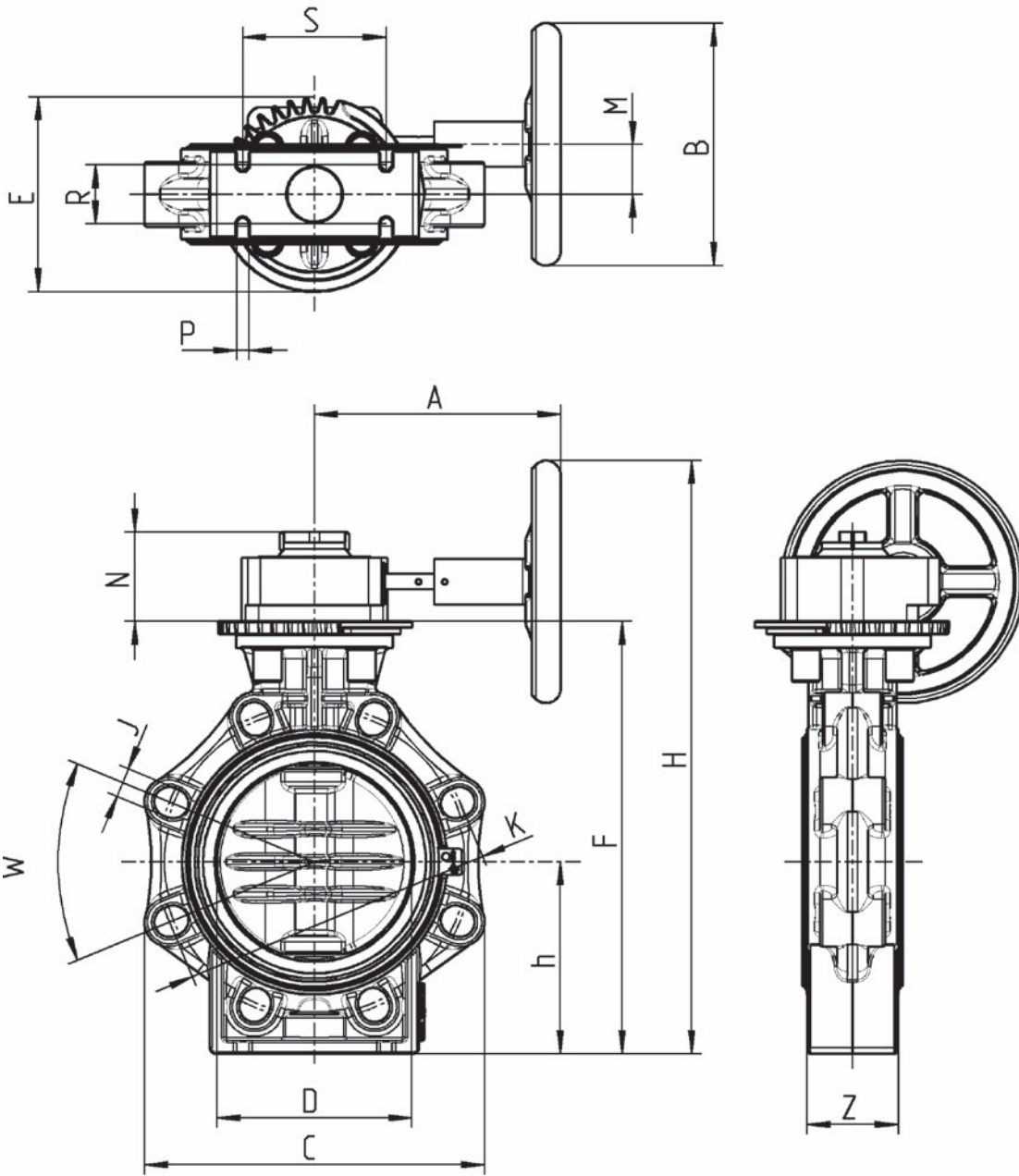


416.236.1884

Toronto, ON

JJDOWNS.COM

K4 Butterfly Valve with Gear Operator



DIMENSIONS: INCHES

Size	DN Bore	d	G	W	J	K	D	C	Z	S	R	P	h	F	N	H	A	B	M	E
2-1/2"	65	75	2-1/2"	90°	0.75	5.00 - 5.71	2.56	5.24	1.81	2.17	0.98	0.28	3.94	9.13	1.99	12.80	6.57	4.92	1.52	4.49
3"	80	90	3"	45°	0.75	5.75 - 6.30	3.15	6.93	1.93	2.76	1.18	0.35	3.94	9.41	1.99	13.07	6.57	4.92	1.52	4.49
4"	100	110	4"	45°	0.75	6.89 - 7.50	3.94	8.11	2.20	3.35	1.38	0.35	4.53	10.59	1.99	14.25	6.57	4.92	1.52	4.49
5"	125	140	5"	45°	0.91	8.25 - 8.50	4.92	9.23	2.52	3.94	1.77	0.35	5.12	11.95	1.99	37.93	6.57	7.87	1.52	4.49
6"	150	160	6"	45°	0.91	9.23 - 9.50	5.91	10.28	2.76	4.33	1.77	0.35	5.81	13.11	1.99	18.25	6.57	7.87	1.52	5.91
8"	200	225	8"	45°	0.91	11.42 - 11.75	7.87	12.36	2.80	5.71	1.57	0.35	6.89	15.55	1.99	20.69	6.57	7.87	1.52	5.91

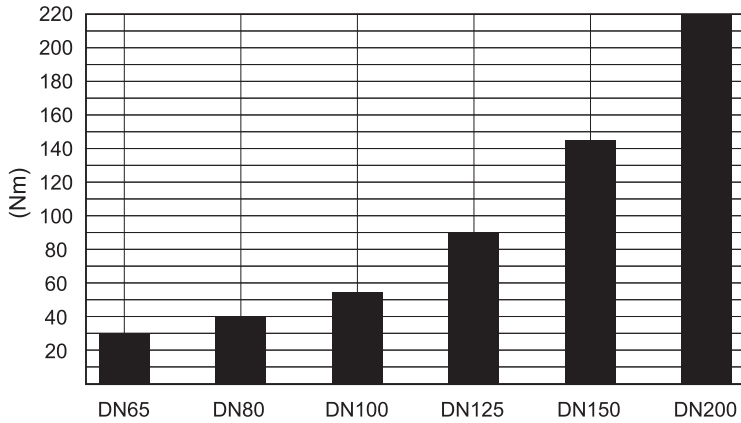
WEIGHTS: LBS. (EPDM SEAT)

Size	PVCDisc	CPVCDisc	PP Disc
2-1/2"	7.00	6.92	6.99
3"	6.07	7.00	6.40
4"	8.96	7.35	8.96
5"	10.71	N/A	N/A
6"	13.75	N/A	13.42
8"	19.15	N/A	18.75

WEIGHTS: LBS. (MTON SEAT)

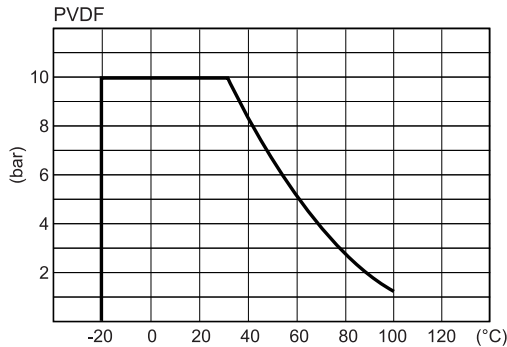
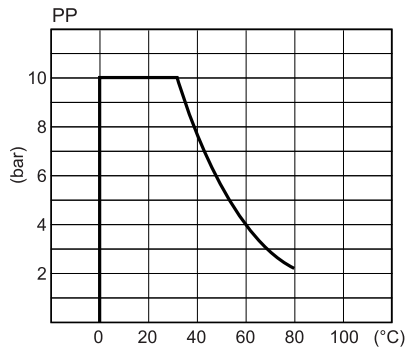
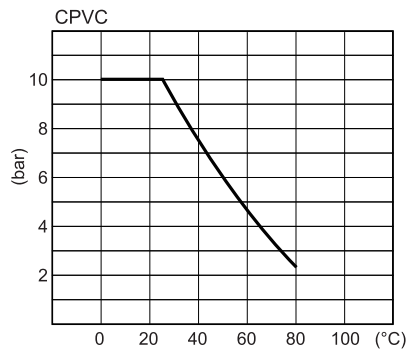
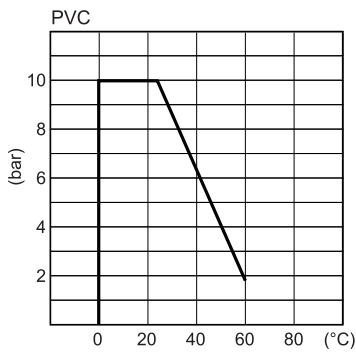
Size	PVCDisc	CPVCDisc	PP Disc	PVDF Disc
2-1/2"	7.32	7.36	7.31	7.37
3"	6.98	7.87	7.79	6.98
4"	8.96	8.39	8.95	8.95
5"	11.13	N/A	10.96	11.30
6"	14.09	N/A	12.77	13.37
8"	17.53	N/A	18.83	17.53

Torque



Size	Cv Value	Torque (Inch Lbs.)	Mounting Pad	Stem	Tightening torque of screws for flange connections (Inch Lbs.)
2-1/2"	160	261	F07	11 mm	130
3"	195	348	F07	11 mm	157
4"	571	479	F07	14 mm	174
5"	953	783	F07	14 mm	261
6"	1775	1262	F10	17 mm	348
8"	2645	1914	F10	17 mm	478

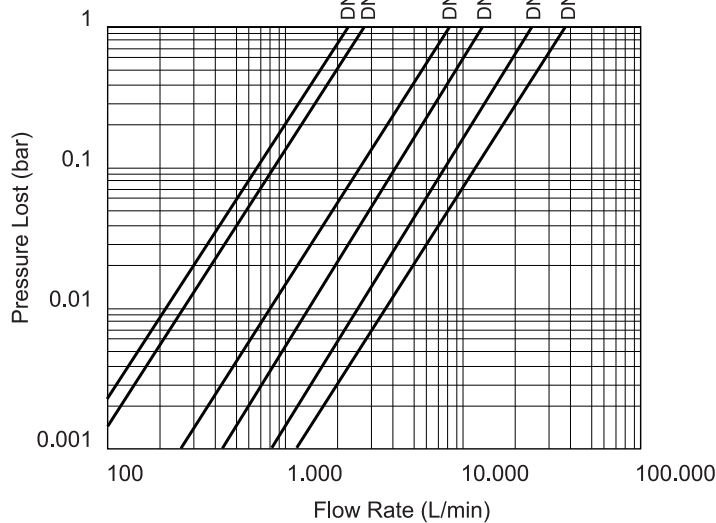
Pressure – Temperature



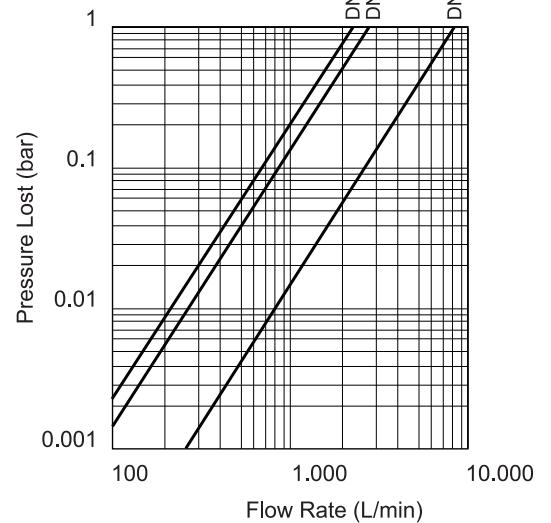
WORKING PRESSURES (PSI)						
Temperature						
	°C	°F	PVC	CPVC	PP	PVDF
0	32	145	145	145	145	145
20	68	145	145	145	145	145
40	104	90	109	113	119	119
60	140	27	68	57	72	72
80	176	—	32	31	41	41
100	220	—	—	—	17	17



Pressure loss (PVC, PP, PVDF)

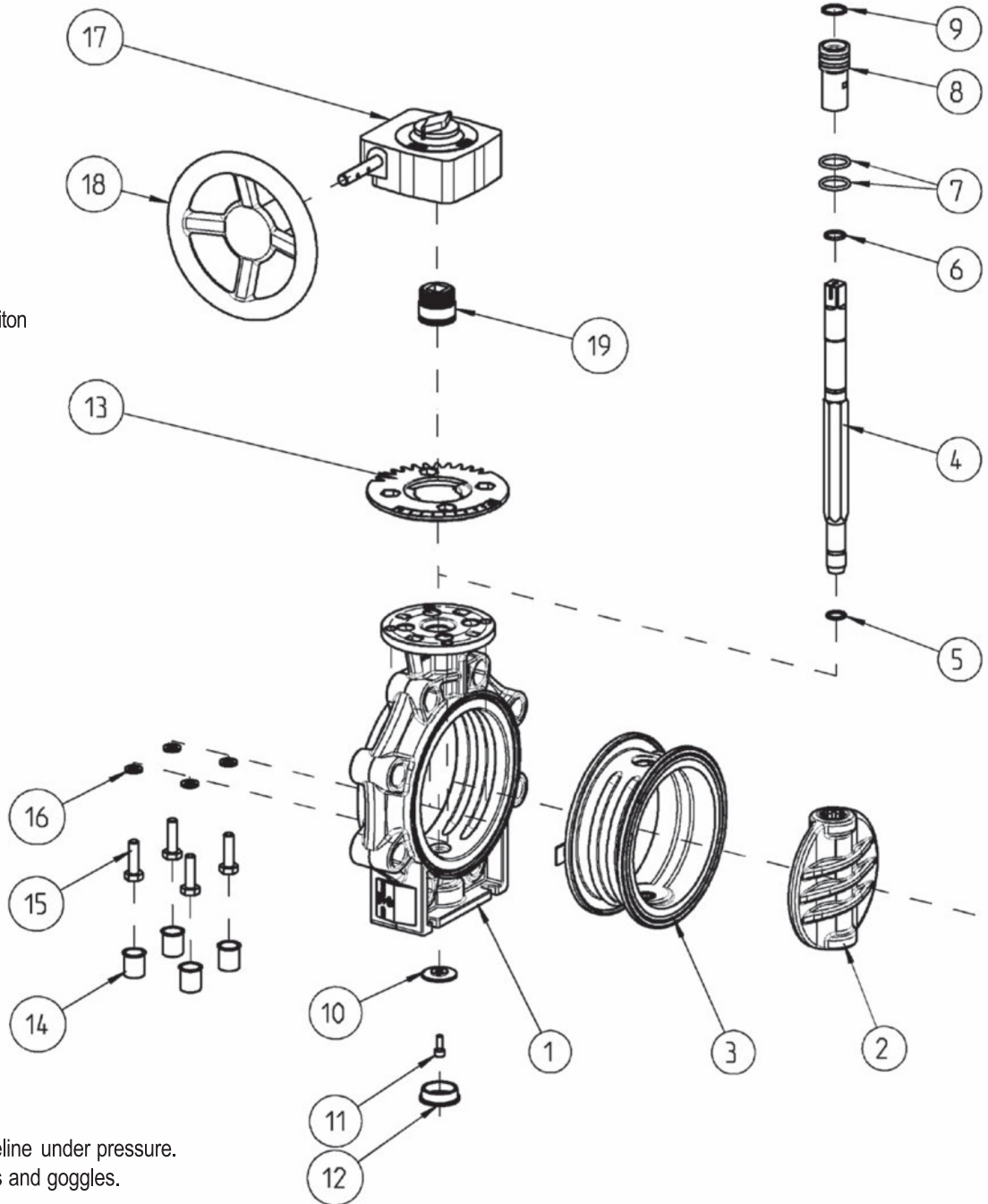


Pressure loss (CPVC)



Parts List/Diagram

1. Body
2. Disc PVC, CPVC, PP, PVDF
3. Elastomer seat. EPDM or Viton
4. SS Shaft
5. Shaft O-Ring bottom
6. Shaft O-Ring top
7. Shaft bushing seal
8. Shaft bushing
9. Retaining ring
10. Holding disc
11. Screw
12. Cap
13. Position lock plate
14. Plate caps
15. Plate screws
16. Plate nuts
17. Gear operator
18. Hand wheel
19. Drive bushing



CAUTION:

- Never remove valve from pipeline under pressure.
- Always wear protective gloves and goggles.

JJD

JJ DOWNS INDUSTRIAL PLASTICS INC.



416.236.1884

Toronto, ON

JJDOWNS.COM