

Inch Brass

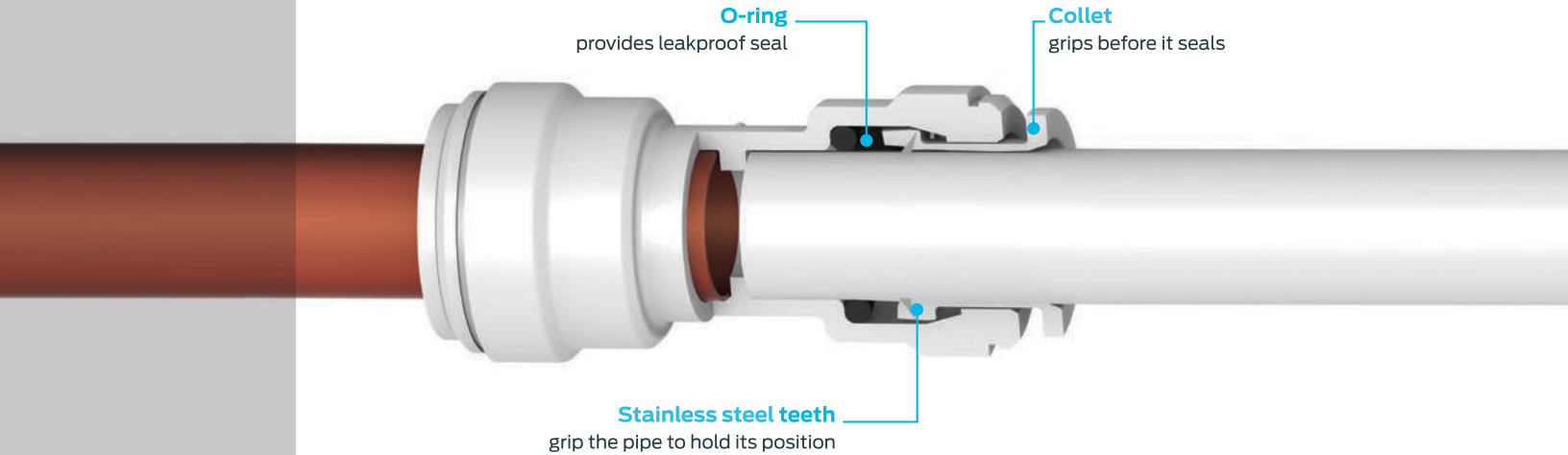
JJD

Fluid System Products

Fittings, Valves & Tubing Catalog



How to make a Push-Fit connection



To connect

Keep product clean until ready to use. Always pressure test once installed.



Step 1

Cut the tube square and remove any burrs or score marks. We recommend using a tube insert for soft or thin-walled plastic tubing.



Step 2

Push the tube into the fitting and up to the tube stop.



Step 3

Pull on the tube to check that it is secure. Test the system before use.

To disconnect



Step 1

Make sure that the system is depressurized, then push the collet square against the fitting. With the collet held in this position, the tube can be removed.



JJ DOWNS INDUSTRIAL PLASTICS INC.

416.236.1884

Toronto, ON



JJDOWNS.COM

Fluid System Fittings Inch Brass

Designed for use in coffee brewing equipment, beverage dispensing and vending machine applications, these fittings are manufactured in brass with a polypropylene collet and a food grade EPDM O-ring.

Working pressures and temperatures

Water Max. 150 psi at 70 °F (Max. 10 bar at 20 °C)
 Max. 60 psi at 140 °F (Max. 4 bar at 60 °C)
 Min. 33 °F/1 °C

NOT suitable for compressed air applications.

For general technical specifications, refer to page 80.



Flare Female Connector FFL Thread



Part Number	Tube OD	Thread FFL	Bag Qty	Box Qty
MI4508F4SLF	1/4"	1/4"	10	200
MI4512F4SLF	3/8"	1/4"	10	200
MI4512F6SLF	3/8"	3/8"	10	100

1/4 (FFL) corresponds to a 7/16-20 UNF
 3/8 (FFL) corresponds to a 5/8-18 UNF

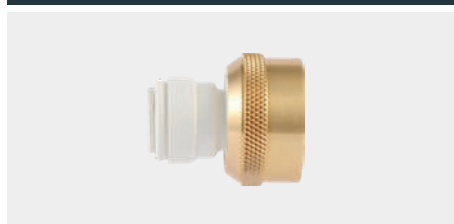
Female Connector Garden Hose - NH Thread



Part Number	Tube OD	Thread NH	Bag Qty	Box Qty
NC2098LF	1/4"	3/4"-11.5	10	100

A plug in elbow shown on page 15 will provide a neat 90° installation. The tube can be oriented in any direction.

Female Connector Brass/Polypropylene Garden Hose - NH Thread



Part Number	Tube OD	Thread NH	Bag Qty	Box Qty
NC2258	3/8"	3/4"-11.5	10	100

Threaded brass ring is not a wetted surface.

Female Connector Brass/Polypropylene - BSPP Thread



Part Number	Tube OD	Thread BSPP	Bag Qty	Box Qty
NC2145LF	1/4"	3/4"	10	150
NC2249LF	3/8"	3/4"	10	100

Suffix LF = Contains less than 0.25% lead

Female Connector



Part Number	Size OD x UNEF	Bag Qty	Box Qty
PSEI6012U9-US	3/8" 9/16"-24	10	200

9/16 - 24 UNEF = 3/8 Compression Threads

Male Connector



Part Number	Size OD x UNEF	Bag Qty	Box Qty
PSEI0112U9-US	3/8" 9/16"-24	10	300

9/16 - 24 UNEF = 3/8 Compression Threads



JJ DOWNS INDUSTRIAL PLASTICS INC.



416.236.1884

Toronto, ON

JJDOWNS.COM