

Inch Acetal White

JJD

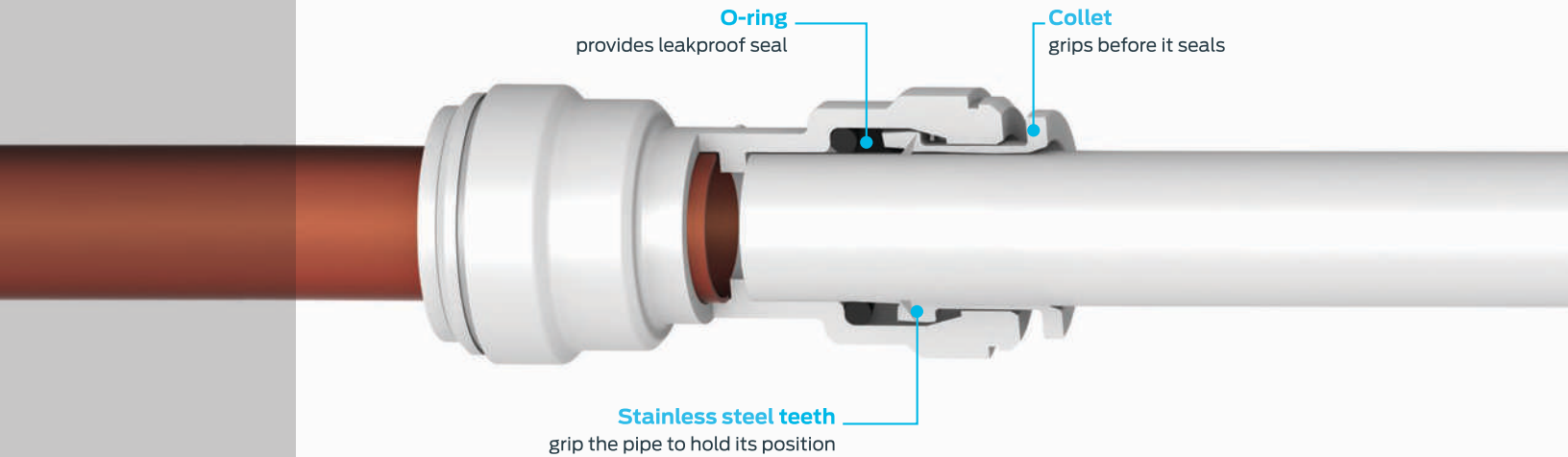
Fluid System Products

Fittings, Valves & Tubing Catalog



How to make a Push-Fit connection

JJD Fluid System Products



To connect

Keep product clean until ready to use. Always pressure test once installed.



Step 1

Cut the tube square and remove any burrs or score marks. We recommend using a tube insert for soft or thin-walled plastic tubing.



Step 2

Push the tube into the fitting and up to the tube stop.



Step 3

Pull on the tube to check that it is secure. Test the system before use.

To disconnect



Step 1

Make sure that the system is depressurized, then push the collet square against the fitting. With the collet held in this position, the tube can be removed.

JJD

JJ DOWNS INDUSTRIAL PLASTICS INC.

416.236.1884

Toronto, ON



JJDOWNS.COM

Fluid System Fittings Inch Acetal White

JJD Fluid System Products

The CI Range of inch-size push-fit fittings is offered for tube sizes 1/4" OD to 3/8" OD. These fittings are manufactured in white acetal, with a food grade EPDM O-ring. They have been developed for the water industry, but are equally suitable for other potable liquids. They are also recommended for intermittent hot water applications.

Working pressures and temperatures

Water Max. 150 psi at 70°F (Max. 10 bar at 20°C)
Max. 100 psi at 150°F (Max. 7 bar at 65°C)
Min. 33°F/1°C



NOT suitable for compressed air applications. For these situations, we recommend the PI Range on pages 19 - 26.

For general technical specifications, refer to page 80.

Male Connector NPTF Thread



Part Number	Tube OD	Thread NPTF	Bag Qty	Box Qty
CI010821W	1/4"	1/8"	10	500
CI010822W	1/4"	1/4"	10	400
CI010823W	1/4"	3/8"	10	300
CI011222W	3/8"	1/4"	10	250

Union Tee



Part Number	Tube OD	Bag Qty	Box Qty
CI0208W	1/4"	10	300
CI0208WB	1/4"	10	300
CI0212W	3/8"	10	100

B denotes blue collet

Union Elbow



Part Number	Tube OD	Bag Qty	Box Qty
CI0308W	1/4"	10	400
CI0312W	3/8"	10	200
CI0312WB	3/8"	10	200
CI0312WR	3/8"	10	200

B denotes blue collet
R denotes red collet

Union Connector



Part Number	Tube OD	Bag Qty	Box Qty
CI040BW	1/4"	10	400
CI0412W	3/8"	10	200

Stem Adapter NPTF Thread



Part Number	Stem OD	Thread NPTF	Bag Qty	Box Qty
CI050821W	1/4"	1/8"	10	500
CI050822W	1/4"	1/4"	10	500
CI051222W	3/8"	1/4"	10	300
CI051223W	3/8"	3/8"	10	300

Reducer



Part Number	Stem OD	Thread NPTF	Bag Qty	Box Qty
CI061208W	3/8"	1/4"	10	400

JJD

JJ DOWNS INDUSTRIAL PLASTICS INC.



416.236.1884

Toronto, ON

JJDOWNS.COM

Bulkhead Union



Part Number	Tube OD	Mounting Hole Dia.	Bag Qty	Box Qty
CI1208W	1/4"	0.67"	10	200

Reducing Elbow



Part Number	Tube OD	Tube OD	Bag Qty	Box Qty
CI211206W	3/8"	3/16"	10	200

Plug In Elbow



Part Number	Stem OD	Tube OD	Bag Qty	Box Qty
CI220808W	1/4"	1/4"	10	500
CI220808WB	1/4"	1/4"	10	500
CI220808WR	1/4"	1/4"	10	500
CI221208W	3/8"	1/4"	10	300
CI221212W	3/8"	3/8"	10	200
CI221212WB	3/8"	3/8"	10	200
CI221212WR	3/8"	3/8"	10	200

B denotes blue collet
R denotes red collet

Barb Connector



Part Number	Superseal OD	Hose ID	Bag Qty	Box Qty
CI270808W	1/4"	1/4"	10	300

Tube to Hose Elbow



Part Number	Stem OD	Hose ID	Bag Qty	Box Qty
CI291208W	3/8"	1/4"	10	400

Female Adapter
BSPP Thread - Flat End



Part Number	Tube OD	Thread BSPP	Bag Qty	Box Qty
CI450814FW	1/4"	1/2"	10	150

Female Adapter
NPTF Thread



Part Number	Tube OD	Thread NPTF	Bag Qty	Box Qty
CI451222W	3/8"	1/4"	10	250

Fixed Elbow
NPTF Thread



Part Number	Tube OD	Thread NPTF	Bag Qty	Box Qty
CI480821W	1/4"	1/8"	10	500
CI480821WB	1/4"	1/8"	10	500
CI480822W	1/4"	1/4"	10	400
CI480823W	1/4"	3/8"	10	300
CI481222W	3/8"	1/4"	10	200

B denotes blue collet

Stackable Tee



Part Number	Tube OD Inlet	Stem OD	Tube OD Outlet	Bag Qty	Box Qty
CI530808W	1/4"	1/4"	1/4"	10	300

Fluid Systems
Fittings
Inch Acetal White

JJD Fluid System
Products

Branch Stem Tee



Part Number	Tube OD	Tube OD	Stem OD	Bag Qty	Box Qty
CI580808W	1/4"	1/4"	1/4"	10	300

JJD
JJ DOWNS INDUSTRIAL PLASTICS INC.

416.236.1884 Toronto, ON JJDOWNS.COM

 member
iapd
international association
of plastics distribution