

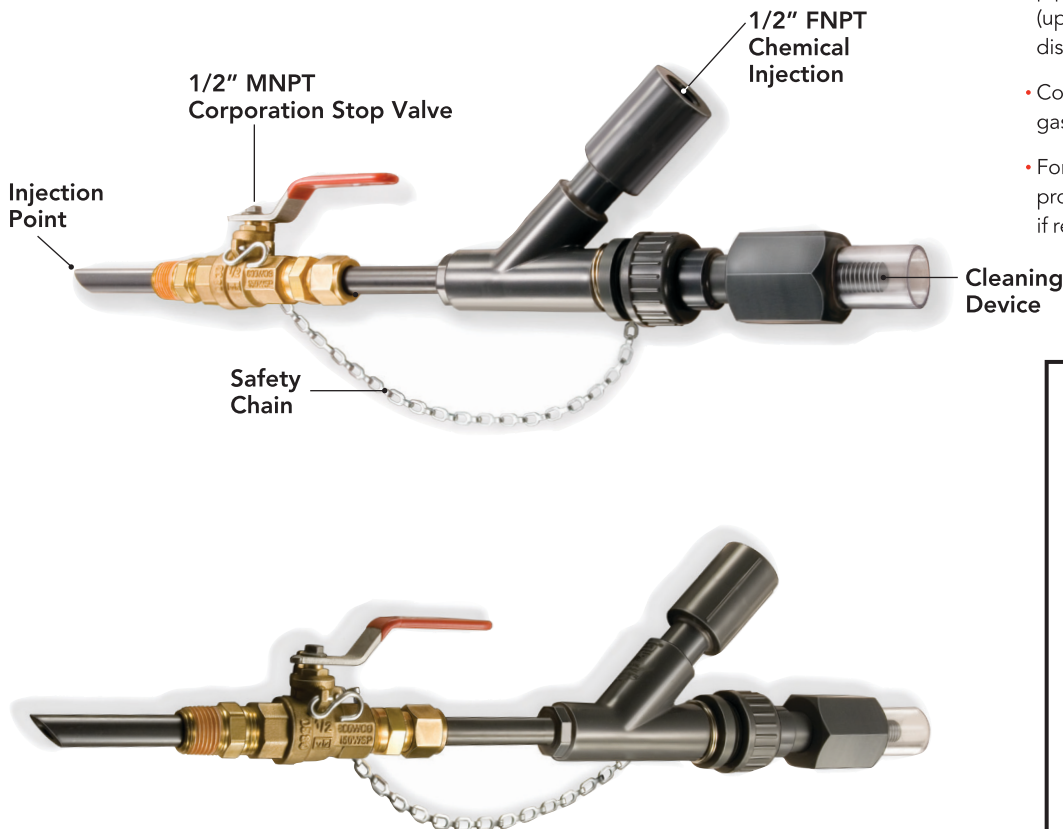
# ChemLance Corporation Stop

PVC

SERIES: ChemLance

CONNECTIONS: 1/2" FNPT to Injection Valves,  
1/2" MNPT to Water Main Pipe

SEALS: FKM (Viton®)



The ChemLance corporation stop with breakthrough cleaning technology is an effective solution to combat against clogs caused by precipitate build-up in chemical injection.

Precipitate build-up at the injection point is one of the most common problems facing chemical injection systems. This build-up obstructs the injection process, requiring the pumps to work harder, leading to excess pressure increase and eventual failure of the injection system. Clogging results in having to shut the system down to clean the injection point which is time consuming and hazardous.

The ChemLance uses a specialized cleaning system that is specifically designed to breakthrough and clean away precipitate build-up without any interruption to the system. Simply turn the cleaning device and the build-up is eliminated in seconds.

## features

- Allows precipitate build-up to be cleaned away without any interruption to the system
- Hot-Tap – May be removed and reinstalled while the pipe is under pressure
- Eliminates downtime requirements associated with standard corporation stops
- Allows for injection in the centre of the main pipe (up to 12" diameter) for increased chemical dispersion
- Constructed with PVC material and Viton® gasket seals for superior chemical resistance
- For proper maintenance, repeat the cleaning procedure at least once a week, or more often if required

# JJD

JJ DOWNS INDUSTRIAL PLASTICS INC.

416.236.1884

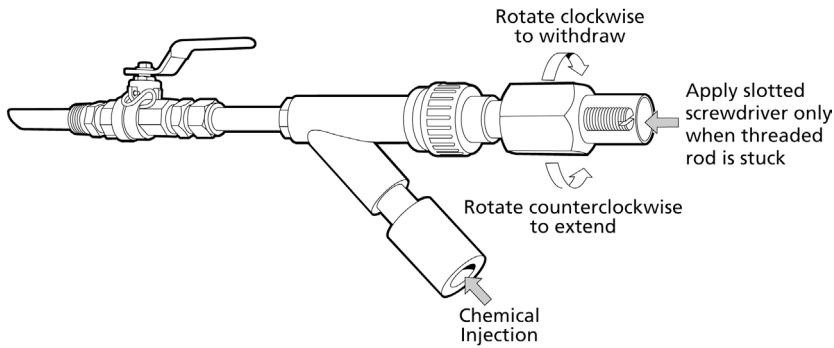
JJDOWNS.COM

Toronto, ON



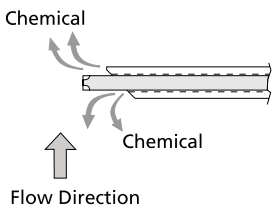
# ChemLance Corporation Stop

## OPERATION

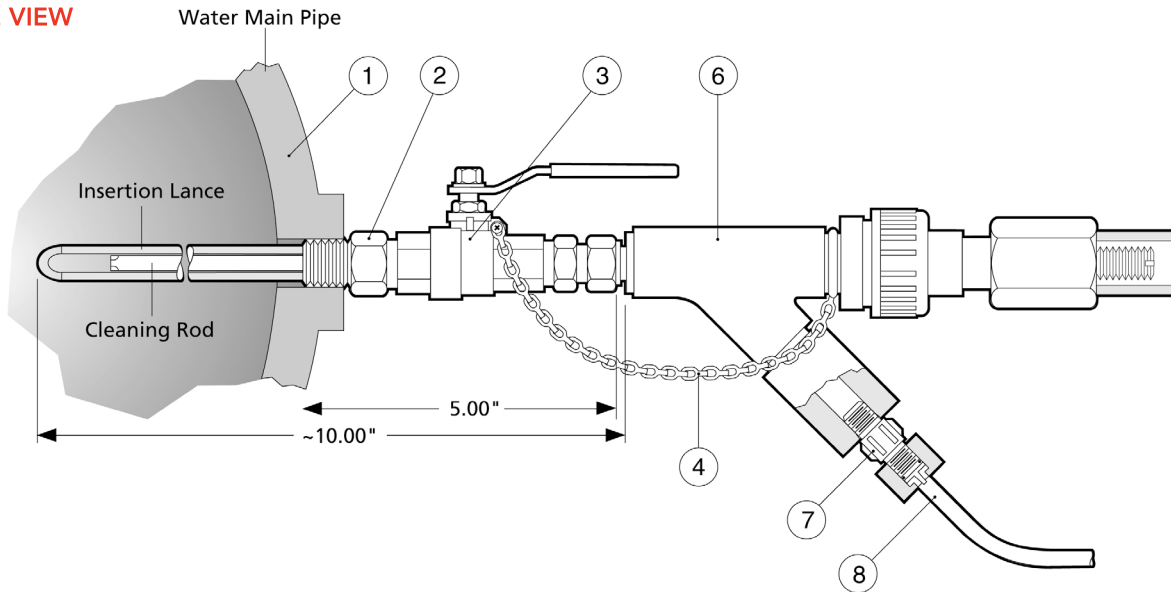


## TOP VIEW

Cleaning Rod in Extended Position



## SIDE VIEW



## PARTS

▲ Recommended Spare Parts

No.	Part	Pcs.	Materials
1	Water Main Pipe <sup>1</sup>	1	PVC, Metal
2	Hex Pipe Adaptor	1	1/2" Brass
3	Corporation Stop Valve	1	1/2" Brass
4	Safety Chain and Collar	1	Brass
5	Lock Nut	1	Brass
6	Lance Assembly	1	1/4"-1/2" PVC
7	PFC Injection Valve <sup>2</sup>	2	1/2" PVC
8▲	Flexible Tubing <sup>2</sup>	2	1/4"-1/2" PE

<sup>1</sup>Supplied by others

<sup>2</sup>Ordered separately

## ORDERING EXAMPLE

Chemline ChemLance Corporation Stop	CL	A	005	V	T
Body Material	A – PVC				
Size	005 – 1/2" 007 – 3/4"				
Seals	V – FPM (Viton®)				
Ends	F – Threaded				

Example: Chemline Chemlance, PVC, 1/2" with FKM (Viton®) seals, threaded.

