

CR4 True Union Inline Strainer with 690 Micron (26 Mesh) Corrosion Resistant PVC Screens

BODY: PVC, PP, PVDF*

SCREEN: PVC, PP, PVDF*

SIZES: 1/2" - 2" (DN15 to 50)

SEALS: EPDM or FKM (Viton)

ENDS: Socket, Threaded, Flanged

Description:

The new CR4 Series Inline strainer is a safety filtration device designed to help protect piping system components from damage and entrap occasional solid impurities in the line. The 690 micron (26 Mesh) PVC(PP,PVDF)screen with patent pending deflection cone allows more than double the flow rate compared to commonly used Y-Strainers. Universal S4 insert, nuts and sockets allow interchangeability between Praher S4 ball and spring check valves without cutting the strainer out of the piping system.

Features:

- Spacesaving design (1/2 the length of comparable Y-Strainer)
- Corrosion resistant thermoplastic components
- Standard light weight clear PVC body
- Excellent flow rates
- True Union design
- Modular design, interchangeable with other S4 valve bodies
- All parts are easily replaceable including the body

Options:

- Housings in either PVC-clear, PP-beige, or PVDF-natural
- Custom sizes & materials available upon request



Suitable for Sodium Hypochlorite Service

JJD

JJ DOWNS INDUSTRIAL PLASTICS INC.

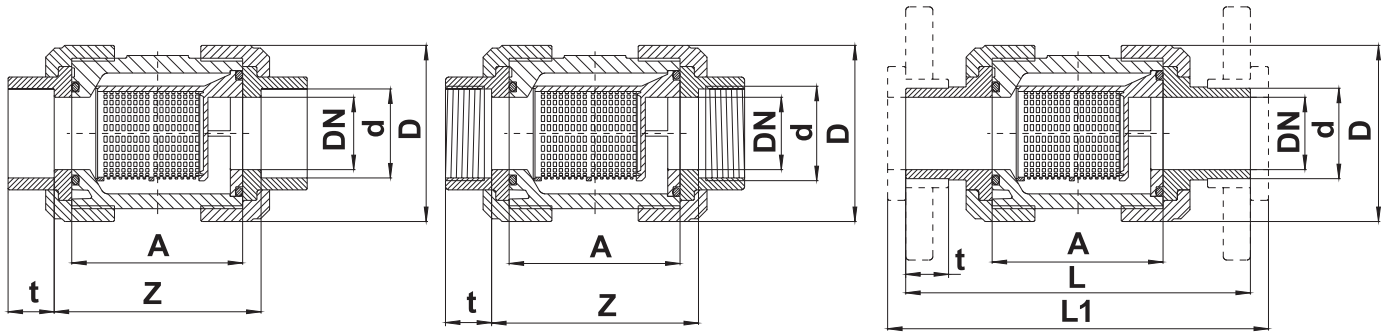
416.236.1884

Toronto, ON



JJDOWNS.COM

CR4True Union Inline Strainer

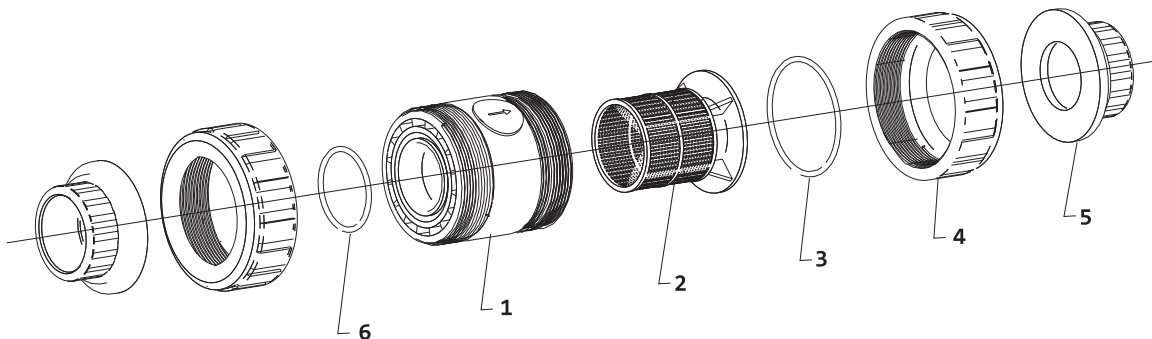


Size	d	DN	L	L1	Z	A	t	D
3/8"	16	10	4.49	4.72	2.66	2.44	0.65	2.09
1/2"	20	15	4.88	5.12	3.29	2.44	0.65	2.09
3/4"	25	20	5.67	5.91	3.13	2.76	0.86	2.48
1"	32	25	6.06	6.30	3.19	2.91	0.89	2.76
1-1/4"	40	32	6.85	7.09	3.54	3.31	1.04	3.35
1-1/2"	50	40	7.64	7.87	4.09	3.74	1.24	3.98
2"	63	50	8.82	9.06	4.76	4.29	1.52	4.78

DIMENSIONS: INCHES

Weights (LBS.)		
Size	Socket/Threaded	Flanged
3/8"	0.75	1.13
1/2"	0.75	1.13
3/4"	0.75	1.27
1"	0.75	1.47
1-1/4"	2.75	3.77
1-1/2"	2.75	3.97
2"	2.75	4.55

Pressure Loss Rates		
Size	Cv at 20°C	PSI
3/8"	21	235
1/2"	21	235
3/4"	21	235
1"	21	235
1-1/4"	45	235
1-1/2"	45	235
2"	45	235



- Parts:
- 01. Body
 - 02. Filter
 - 03. O-Ring for cage
 - 04. Union Nut
 - 05. Socket or threaded ends
 - 06. Body O-Ring

JJD

JJ DOWNS INDUSTRIAL PLASTICS INC.

416.236.1884

Toronto, ON



JJDOWNS.COM