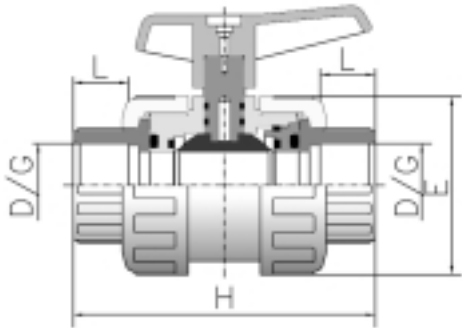


# CPVC True Union Ball Valves

- Range:** Sizes from 16mm to 110mm (3/8"-4")
- Standards:** Available Standards: Metric, ASTM, British Standard, JIS.  
Threaded version: BSP & NPT
- Working Pressure:** At 20°C D16-D63 (3/8"-2") PN 16 (240 PSI@73F)  
D75-D110 (2 1/2"-4") PN 10 (150 PSI@73F)

## FEATURES:

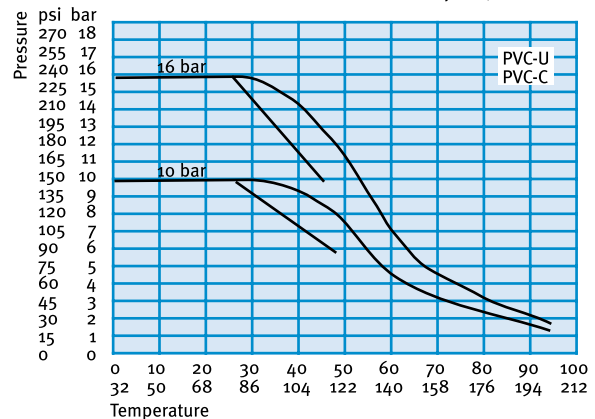
- ❖ Threaded seal carrier.
- ❖ It allows the disassembling of the valve while maintaining system pressure.
- ❖ Union ends for easy installation and removal.
- ❖ Good mechanical strength.
- ❖ Corzan PVC-C: service temperatures up to 93°C (200° F) and exceptional corrosion resistance.
- ❖ O-Rings available in EPDM or Viton .
- ❖ Seats available in Teflon .



## CEP Series

Pressure Rates/Temperature Graph

20 years/water flow



	D/G		L		H		E	
	mm	"	mm	"	mm	"	mm	"
16	3/8"	16	0.63	84	3.31	52	2.05	
20	1/2"	16	0.63	84	3.31	2	2.05	
25	3/4"	19	0.75	108	4.25	62	2.44	
32	1"	22	0.87	124	4.88	70	2.76	
40	1 1/4"	26	1.02	142	5.59	84	3.31	
50	1 1/2"	31	1.22	167	6.57	104	4.09	
63	2"	38	1.50	198	7.80	120	4.72	
75	2 1/2"	44	1.73	232	9.13	148	5.83	
90	3"	51	2.01	269	10.59	179	7.05	
110	4"	61	2.40	275	10.83	179	7.05	

# JJD

JJ DOWNS INDUSTRIAL PLASTICS INC.

416.236.1884

Toronto, ON



member  
**iapd**  
international association  
of plastics distribution

JJDOWNS.COM