

Gate Valves

PVC

SERIES: CGA

SIZES: 1-1/2" – 14"

ENDS: Flanged

SEALS: EPDM, FKM (Viton®)

CRN
Registered
Consulting Engineer



JJD

JJ DOWNS INDUSTRIAL PLASTICS INC.
JJDOWNS.COM

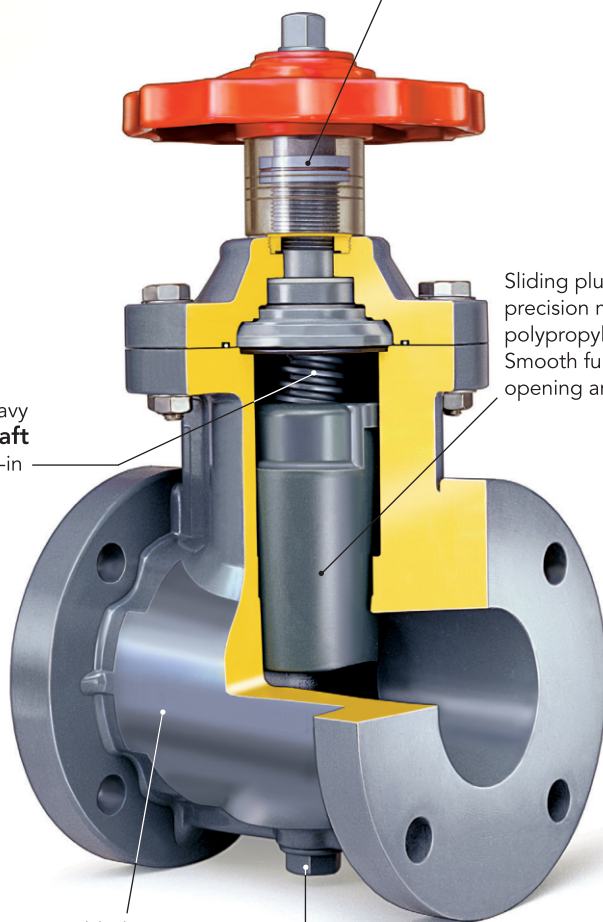
Clear polycarbonate
Indicator clearly shows
valve position

Sliding plug **Disc** of
precision machined
polypropylene.
Smooth fully-guided
opening and closing.

Non-rising heavy
duty **PVC Shaft**
with moulded-in
steel core

One-piece moulded
Flanged Body is strong
enough for underground
piping systems

Drain Plug



The CGA Series flanged Gate Valve is an excellent isolating valve, but is also versatile. Fully open it has an unobstructed port and streamlined seating area, making pressure drop low. Water hammer can be a problem with quick closing valves such as ball and butterfly. Use of this multi-turn, slow closing valve eliminates water hammer. Unlike metal gate valves, this one may be throttled. The plastic disc is not subject to erosion by high fluid velocities, and the fully guided plug disc will not chatter. This valve is an excellent choice for underground services.

features

- Full Port
- NSF 61 Certified¹
- Ideal for Underground Service

Light Weight

- Fast and easy to install

AWWA Flanged Face-to-Face Dimensions

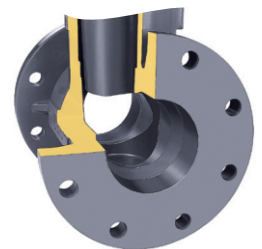
- In sizes up to 8". Can easily replace corroded steel valves.

CRN Registration numbers by province

- Ontario: OC11045.5
- Newfoundland: OC11045.50
- Saskatchewan/Manitoba/Quebec: OC11045.56
- New Brunswick: OC11045.57
- Nova Scotia: OC11045.58
- P.E.I.: OC11045.59
- British Columbia: not required
- Alberta: not required²

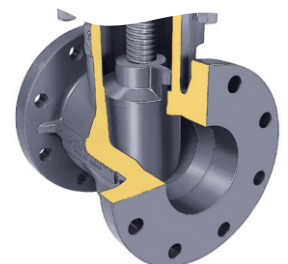
Streamlined Seating Area and Full Port

- Low Pressure Drop
- Little Sediment Buildup – Self Flushing



Cylindrical Disc and Large Seating Area

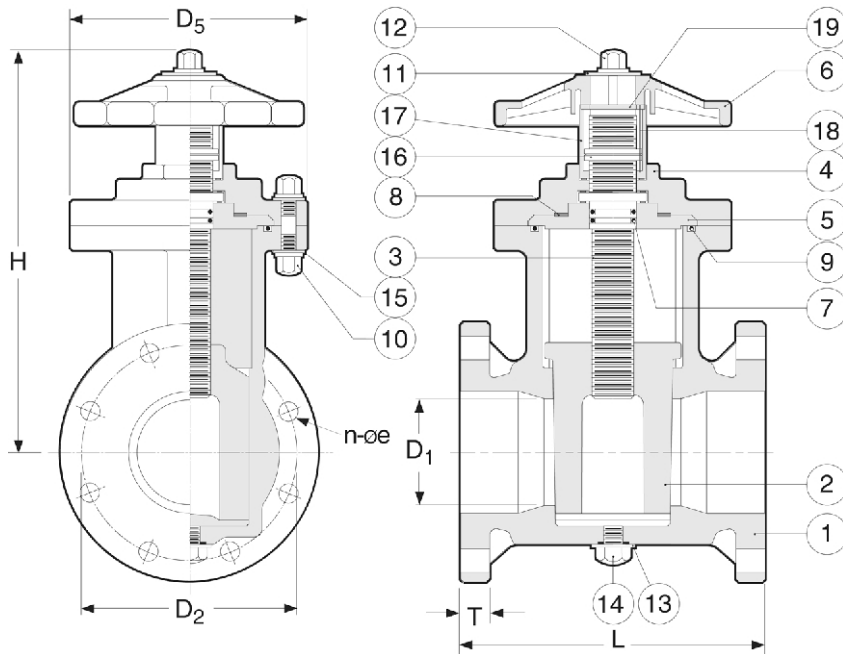
- High Working Pressures
- Good Abrasion Resistance



¹ PVC valves with EPDM or FKM (Viton®) seals are certified under NSF/ANSI Standard 61 for contact with drinking water.

² Not required for non-expandable fluids.

Gate Valves



PARTS

▲ Recommended Spare Parts

No.	Part	Pcs.	Materials
1	Body	1	PVC
2▲	Disc	1	PP
3▲	Shaft	1	PVC/Steel Core
4	Bonnet	1	PVC
5	Stem Retainer	1	PVC 8" – 14"
6	Handwheel	1	PP
7▲	Shaft O-Ring	2	EPDM, FKM (Viton®)
8▲	Thrust Ring	2	PTFE 1-1/2" – 6"
8▲	Thrust Bearing	2	8" – 14"
9▲	Bonnet O-Ring	1	EPDM, FKM (Viton®)
10	Bolt & Nut	Set	Stainless Steel
11	Washer	1	PVC 1-1/2" – 6"
12	Handwheel Nut	1	PVC
13	Gasket	1	EPDM, FKM (Viton®)
14	Drain Plug	1	PVC
15	Washer	Set	Stainless Steel
16	Indicator Ring	1	PVC
17	Indicator Tube	1	Polycarbonate
18	Indicator Pin	1	Stainless Steel
19	Indicator O-Ring	1	EPDM, FKM (Viton®)

DIMENSIONS INCHES

NET WEIGHTS

WORKING PRESSURES PSI Cv VALVES

Size	D ₁	D ₂	n	e	D ₅	L	H	T	KG	LB.	0-50°C 32-122°F	
											Pressure	USGPM @ 1 PSI Pressure Drop
1-1/2	1.52	3.88	4	0.63	4.72	6.50	9.26	0.87	2.5	5.5	150	130
2	1.96	4.74	4	0.75	5.12	7.00	10.15	0.91	3.4	7.5	150	180
2-1/2	2.54	5.49	4	0.75	6.10	7.50	11.42	0.94	4.7	10.3	150	415
3	2.94	6.00	4	0.75	6.69	8.00	12.20	0.98	6.1	13.5	150	470
4	3.94	7.50	8	0.75	7.68	9.00	13.78	1.06	9.1	20.	150	690
5	4.33	8.50	8	0.87	9.25	10.24	16.03	1.06	14.3	31.	150	1,000
6	5.12	9.51	8	0.87	10.63	10.50	17.52	1.06	18.2	40.	150	1,400
8	6.61	11.75	8	0.87	12.20	11.50	22.72	1.10	30.0	66.	150	2,900
10	8.27	14.25	12	0.98	14.17	14.96	27.17	1.18	52.5	116.	110	3,700
12	10.04	17.01	12	0.98	16.14	15.75	31.50	1.22	66.5	147.	70	5,200
14	11.69	18.74	12	1.14	17.91	16.93	35.82	1.26	80.0	187.	70	7,000

Max. Temp. 60°C (140°F)

JJD

JJ DOWNS INDUSTRIAL PLASTICS, INC.
JJDOWNS.COM

Gate Valves

options + accessories

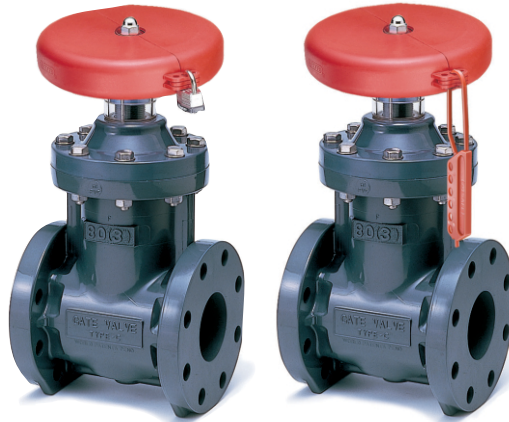
Municipal Operating Nut

- 2" square nut for operating valves below grade using a standard municipal "key"
- Stainless Steel for corrosion resistance



Handwheel Lock-out

- To prevent unauthorized operation of the valve during maintenance shut-downs
- For use with padlocks or hasps



Shaft Extensions

- Different materials and lengths are available
- Several designs:
 - with no housing for indoors
 - with waterproofed PVC housing for indoors or outdoors
 - with stainless steel housing for buried or actuated services



OTHER ACCESSORIES

- Chainwheel Operator

VACUUM RATING

- 29.9 inches mercury

SAMPLE SPECIFICATION

1. All PVC Gate Valves 1-1/2" to 14" are to be CGA Series or equal with a one-piece moulded PVC body flanged to ANSI 150. Valve material shall be PVC with cell classification 12454-A as per ASTM D-1784. Cylindrical disc shall be polypropylene and o-ring seals EPDM.
2. PVC valves with EPDM or FKM (Viton®) seals shall be certified under NSF/ANSI Standard 61 for contact with drinking water.

ORDERING EXAMPLE

PVC Flanged Gate Valves						CGA	060	E
Size	015 – 1-1/2"	020 – 2"	025 – 2-1/2"	030 – 3"	040 – 4"	050 – 5"		
	060 – 6"	080 – 8"	100 – 10"	120 – 12"	140 – 14"			
Seals	E – EPDM		V – FKM (Viton®)					

Example: CGA Gate Valve, PVC, 6", with EPDM seals.



JJ DOWNS INDUSTRIAL PLASTICS INC.

416.236.1884

Toronto, ON

JJDOWNS.COM