



Technical	2-3
Pricing	4

# Bolt-on Pipe Saddles

Polypropylene



# Bolt-on Pipe Saddles

PP

SERIES:	PS
PIPE SIZES:	1-1/2" – 6"
FNPT BRANCH:	1/2" – 2"
O-RING:	Nitrile <sup>1</sup>
REINFORCING RING:	304 Stainless Steel
BOLTS:	304 Stainless Steel or Galvanized Steel

PS Series Bolt-on pipe saddles are for IPS size PVC or HDPE piping. Made of solid polypropylene, these fittings are durable and impact resistant. They are ideal for outdoor applications in irrigation and also widely used on water treatment skids. Polypropylene also has excellent chemical resistance.

The female threaded branch comes standard with a 304 stainless steel reinforcing ring. Pipe saddles are normally supplied with 304 stainless steel bolts, but are available special order with galvanized steel bolts at lower cost.

## technical

### Maximum Pressure rating at 20C (68°F)

- 235 psi (16 bar)

### Maximum Temperature

- 100C (212°F)

### Standards

- Conform to Standards ANSI/ASME B1.20.1., ASTM, D3035, F714 and AWWA C-901/906



For polypropylene or PVC pipe

<sup>1</sup>EPDM or FPM available upon request

# JJD

JJ DOWNS INDUSTRIAL PLASTICS INC.

[JJDOWNNS.COM](http://JJDOWNNS.COM)

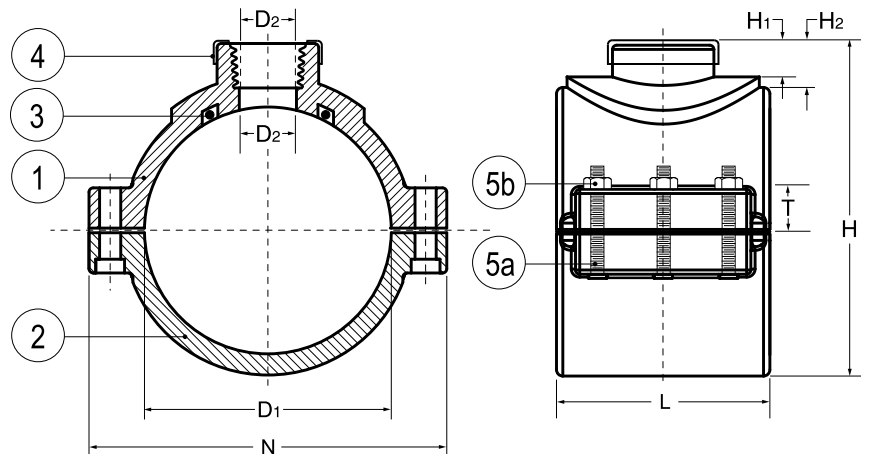
# Bolt-on Pipe Saddles

## PARTS

▲ Recommended Spare Parts

No.	Part	Pcs.	Materials
1	Top Half	1	PP
2	Bottom Half	1	PP
3	O-Ring	1	Nitrile
4	Reinforcing Ring	1	304SS
5a	Hex Bolt	4/6*	304SS
5b	Hex Nut	4/6*	304SS

\* 1-1/2" to 4" sizes: 4 bolts/nuts, 6" size: 6 bolts/nuts



## DIMENSIONS INCHES

IPS Pipe Size	Branch FNPT	D1	D2	N	H	H1	H2	L	T	Bolts
1-1/2"	1/2"	1.902	0.664	3.496	2.933	0.374	0.512	2.559	0.610	4
1-1/2"	3/4"	1.902	0.764	3.496	2.933	0.433	0.512	2.559	0.610	4
1-1/2"	1"	1.902	1.035	3.496	3.130	0.689	0.689	2.559	0.610	4
2"	1/2"	2.374	0.664	4.016	3.799	0.732	0.728	2.677	0.689	4
2"	3/4"	2.374	0.764	4.016	3.799	0.732	0.728	2.677	0.689	4
2"	1"	2.374	1.035	4.016	3.839	0.772	0.768	2.677	0.689	4
3"	1/2"	3.500	0.664	5.157	4.961	0.543	0.728	3.327	0.728	4
3"	3/4"	3.500	0.764	5.157	4.961	0.543	0.728	3.327	0.728	4
3"	1"	3.500	1.035	5.157	5.000	0.583	0.768	3.327	0.728	4
3"	1-1/4"	3.500	1.355	5.157	5.157	0.827	1.004	3.327	0.728	4
3"	1-1/2"	3.500	1.535	5.157	5.157	0.827	1.004	3.327	0.728	4
4"	1/2"	4.500	0.664	6.220	5.984	0.531	0.709	3.878	0.748	4
4"	3/4"	4.500	0.764	6.220	5.984	0.531	0.709	3.878	0.748	4
4"	1"	4.500	1.035	6.220	6.024	0.630	0.787	3.878	0.748	4
4"	1-1/4"	4.500	1.355	6.220	5.157	0.728	0.906	3.878	0.748	4
4"	1-1/2"	4.500	1.535	6.220	5.157	0.728	0.906	3.878	0.748	4
4"	2"	4.500	1.945	6.220	5.157	0.827	1.024	3.878	0.748	4
6"	1/2"	6.625	0.664	8.996	8.189	0.551	0.748	5.413	1.004	6
6"	3/4"	6.625	0.764	8.996	8.189	0.551	0.748	5.413	1.004	6
6"	1"	6.625	1.035	8.996	8.228	0.591	0.787	5.413	1.004	6
6"	1-1/4"	6.625	1.355	8.996	8.465	0.827	1.024	5.413	1.004	6
6"	1-1/2"	6.625	1.535	8.996	8.465	0.827	1.024	5.413	1.004	6
6"	2"	6.625	1.945	8.996	8.465	0.827	1.024	5.413	1.004	6

## Assembly Instructions

- 1 Clean the external surface of the pipe where the hole is to be drilled.
- 2 Take the saddle top half, insert the O-ring into its groove and position it onto the pipe.
- 3 Mark the center of the pipe to be drilled with an X using a felt tip marker. Remove the saddle top half and drill the hole in the pipe wall. Hold the drill squarely. Remove scraps. See the chart below for recommended hole sizes.
- 4 Assemble the saddle on the pipe, centering the branch over the hole. Insert the bolts from below and screw on loosely.
- 5 Tighten bolts gradually on alternate sides until both the top and bottom supporting surfaces contact each other completely. Do no over-tighten.

## RECOMMENDED HOLE SAW SIZE

Branch Outlet	Hole Saw
1/2"	1/2"
3/4"	5/8"
1"	7/8"
1-1/4"	1-1/8"
1-1/2"	1-3/8"
2"	1-3/4"

# Bolt-on Pipe Saddles

# Pipe Saddles



## FNPT Branch with 304 Stainless Steel Reinforcing Ring

IPS Pipe Size	Branch FNPT	Box Qty	304 SS Bolts	Galvanized Bolts*
			Item No.	Item No.
1-1/2"	1/2"	100	PSBR015-005-304	PSBR015-005-GLV
1-1/2"	3/4"	100	PSBR015-007-304	PSBR015-007-GLV
1-1/2"	1"	100	PSBR015-010-304	PSBR015-010-GLV
2"	1/2"	100	PSBR020-005-304	PSBR020-005-GLV
2"	3/4"	100	PSBR020-007-304	PSBR020-007-GLV
2"	1"	100	PSBR020-010-304	PSBR020-010-GLV
3"	1/2"	60	PSBR030-005-304	PSBR030-005-GLV
3"	3/4"	60	PSBR030-007-304	PSBR030-007-GLV
3"	1"	60	PSBR030-010-304	PSBR030-010-GLV
3"	1-1/4"	60	PSBR030-012-304	PSBR030-012-GLV
3"	1-1/2"	55	PSBR030-015-304	PSBR030-015-GLV
4"	1/2"	40	PSBR040-005-304	PSBR040-005-GLV
4"	3/4"	40	PSBR040-007-304	PSBR040-007-GLV
4"	1"	40	PSBR040-010-304	PSBR040-010-GLV
4"	1-1/4"	40	PSBR040-012-304	PSBR040-012-GLV
4"	1-1/2"	40	PSBR040-015-304	PSBR040-015-GLV
4"	2"	35	PSBR040-020-304	PSBR040-020-GLV
6"	1/2"	18	PSBR060-005-304	PSBR060-005-GLV
6"	3/4"	18	PSBR060-007-304	PSBR060-007-GLV
6"	1"	18	PSBR060-010-304	PSBR060-010-GLV
6"	1-1/4"	18	PSBR060-012-304	PSBR060-012-GLV
6"	1-1/2"	18	PSBR060-015-304	PSBR060-015-GLV
6"	2"	18	PSBR060-020-304	PSBR060-020-GLV

\* Saddles with galvanized bolts are available special order. Consult JJD

Exclusive Partner



**PLASTICA ALFA**  
INNOVATION & WATER TECHNOLOGIES



**JJD**



JJ DOWNS INDUSTRIAL PLASTICS INC.

416.236.1884

Toronto, ON

JJDOWNS.COM