



Valves Product
True Union 2000 Industrial Ball Valves

True Union 2000 Industrial Ball Valves



Socket Style

SR Threaded Style

All Valves Assembled with Silicone-Free, Water Soluble Lubricant
Contact Spears® for MSRP on Custom Elastomer Seals
See Ball Valve Accessories & Repair Kits Section for Additional Options and Features

**Pressure Rating @ 73°F (23°C),
Water**

1/2" - 4" 235 psi
6" - 8" 150 psi
All Flanged 150 psi

Maximum Service Temperature

PVC = 140°F (60°C)
CPVC = 200°F (93°C)
Temperature/Pressure De-ratings Apply
Rated for Vacuum Service



6" Lever Handle Style

Note: Standard 6" Valve uses lockout type Lever-Style Handle for proper leverage. Non-locking T-Handle is more compact, but will increase difficulty of operation. True Union 2000 Industrial Ball Valves have Built-in Handle Lockouts (except 6" T-Handle Option)

PVC Industrial

Size	EPDM	FKM	Std Pk	Mstr Pk	Prod Code
------	------	-----	--------	---------	-----------

Threaded & Socket Ends

1/2	1829-005	1839-005	1	18	600
3/4	1829-007	1839-007	1	18	600
1	1829-010	1839-010	1	12	600
1-1/4	1829-012	1839-012	1	8	600
1-1/2	1829-015	1839-015	1	8	600
2	1829-020	1839-020	1	4	600

Socket Ends

2-1/2	1822-025	1832-025	1	0	601
3	1822-030	1832-030	1	0	601
4	1822-040	1832-040	1	0	601
6	1822-060	1832-060	1	0	612
8	1822-080	1832-080	1	0	612

8" Venturied valves are 6" ball valves fitted with 6x8 end connector adapters.

PVC Industrial

Size	EPDM	FKM	Std Pk	Mstr Pk	Prod Code
------	------	-----	--------	---------	-----------

Threaded Ends

2-1/2	1821-025	1831-025	1	0	601
3	1821-030	1831-030	1	0	601
4	1821-040	1831-040	1	0	601
6	1821-060	1831-060	1	0	612

SR Threaded Ends

1/2	1821-005SR	1831-005SR	1	18	600
3/4	1821-007SR	1831-007SR	1	18	600
1	1821-010SR	1831-010SR	1	12	600
1-1/4	1821-012SR	1831-012SR	1	8	600
1-1/2	1821-015SR	1831-015SR	1	8	600
2	1821-020SR	1831-020SR	1	4	600
2-1/2	1821-025SR	1831-025SR	1	0	601
3	1821-030SR	1831-030SR	1	0	601
4	1821-040SR	1831-040SR	1	0	601
6	1821-060SR	1831-060SR	1	0	612

Spigot Ends

1/2	1827-005	1837-005	1	18	600
3/4	1827-007	1837-007	1	18	600
1	1827-010	1837-010	1	12	600
1-1/4	1827-012	1837-012	1	8	600
1-1/2	1827-015	1837-015	1	8	600
2	1827-020	1837-020	1	4	600
2-1/2	1827-025	1837-025	1	0	601
3	1827-030	1837-030	1	0	601
4	1827-040	1837-040	1	0	601
6	1827-060	1837-060	1	0	612

Flanged Ends

1/2	1823-005	1833-005	1	8	600
3/4	1823-007	1833-007	1	8	600
1	1823-010	1833-010	1	8	600
1-1/4	1823-012	1833-012	1	8	600
1-1/2	1823-015	1833-015	1	4	600
2	1823-020	1833-020	1	0	600
2-1/2	1823-025	1833-025	1	0	601
3	1823-030	1833-030	1	0	601
4	1823-040	1833-040	1	0	601
6	1823-060	1833-060	1	0	612
8	1823-080	1833-080	1	0	612

8" Venturied valves are 6" ball valves fitted with 6x8 end connector adapters.

PVC 6" Industrial T-Handle Valve Option (Non-Locking) NOTICE:
T-Handle is more compact, but will greatly increase difficulty of operation.

Size	EPDM	FKM	Std Pk	Mstr Pk	Prod Code
------	------	-----	--------	---------	-----------

Socket Ends

6	18226-060	18326-060	1	0	612
---	-----------	-----------	---	---	-----

Threaded Ends

6	18216-060	18316-060	1	0	612
---	-----------	-----------	---	---	-----

SR Threaded Ends

6	18216-060SR	18316-060SR	1	0	612
---	-------------	-------------	---	---	-----

Flanged Ends

6	18236-060	18336-060	1	0	612
---	-----------	-----------	---	---	-----

Suitable for Oil-Free air handling to 25 psi, not for distribution of compressed air or gas

JJ DOWNS INDUSTRIAL PLASTICS INC.

416.236.1884 Toronto, ON JJDOWNNS.COM



Valves Product
True Union 2000 Industrial Ball Valves & True Union 2000 Industrial Vented/Bleach Ball Valves

True Union 2000 Industrial Ball Valves

CPVC Industrial

Size	EPDM	FKM	Std Pk	Mstr Pk	Prod Code
Threaded & Socket Ends					
1/2	1829-005C	1839-005C	1	18	602
3/4	1829-007C	1839-007C	1	18	602
1	1829-010C	1839-010C	1	12	602
1-1/4	1829-012C	1839-012C	1	8	602
1-1/2	1829-015C	1839-015C	1	8	602
2	1829-020C	1839-020C	1	4	602

Socket Ends

2-1/2	1822-025C	1832-025C	1	0	603
3	1822-030C	1832-030C	1	0	603
4	1822-040C	1832-040C	1	0	603
6	1822-060C	1832-060C	1	0	613
8	1822-080C	1832-080C	1	0	613

8" Venturied valves are 6" ball valves fitted with 6x8 end connector adapters.

Threaded Ends

2-1/2	1821-025C	1831-025C	1	0	603
3	1821-030C	1831-030C	1	0	603
4	1821-040C	1831-040C	1	0	603
6	1821-060C	1831-060C	1	0	613

SR Threaded Ends

1/2	1821-005CSR	1831-005CSR	1	18	602
3/4	1821-007CSR	1831-007CSR	1	18	602
1	1821-010CSR	1831-010CSR	1	12	602
1-1/4	1821-012CSR	1831-012CSR	1	8	602
1-1/2	1821-015CSR	1831-015CSR	1	8	602
2	1821-020CSR	1831-020CSR	1	4	602
2-1/2	1821-025CSR	1831-025CSR	1	0	603
3	1821-030CSR	1831-030CSR	1	0	603
4	1821-040CSR	1831-040CSR	1	0	603
6	1821-060CSR	1831-060CSR	1	0	613

Spigot Ends

1/2	1827-005C	1837-005C	1	18	602
3/4	1827-007C	1837-007C	1	18	602
1	1827-010C	1837-010C	1	12	602
1-1/4	1827-012C	1837-012C	1	8	602
1-1/2	1827-015C	1837-015C	1	8	602
2	1827-020C	1837-020C	1	4	602
2-1/2	1827-025C	1837-025C	1	0	603
3	1827-030C	1837-030C	1	0	603
4	1827-040C	1837-040C	1	0	603
6	1827-060C	1837-060C	1	0	613

Flanged Ends

1/2	1823-005C	1833-005C	1	8	602
3/4	1823-007C	1833-007C	1	8	602
1	1823-010C	1833-010C	1	8	602
1-1/4	1823-012C	1833-012C	1	8	602
1-1/2	1823-015C	1833-015C	1	4	602
2	1823-020C	1833-020C	1	0	602
2-1/2	1823-025C	1833-025C	1	0	603
3	1823-030C	1833-030C	1	0	603
4	1823-040C	1833-040C	1	0	603
6	1823-060C	1833-060C	1	0	613

CPVC Industrial (continued)

Size	EPDM	FKM	Std Pk	Mstr Pk	Prod Code
------	------	-----	--------	---------	-----------

Flanged Ends

8	1823-080C	1833-080C	1	0	613
---	-----------	-----------	---	---	-----

8" Venturied valves are 6" ball valves fitted with 6x8 end connector adapters.

CPVC 6" Industrial T-Handle Valve Option (Non-Locking)

NOTICE: T-Handle is more compact, but will greatly increase difficulty of operation.

Size	EPDM	FKM	Std Pk	Mstr Pk	Prod Code
------	------	-----	--------	---------	-----------

Socket Ends

6	18226-060C	18326-060C	1	0	613
---	------------	------------	---	---	-----

Threaded Ends

6	18216-060C	18316-060C	1	0	613
---	------------	------------	---	---	-----

SR Threaded Ends

6	18216-060CSR	18316-060CSR	1	0	613
---	--------------	--------------	---	---	-----

Flanged Ends

6	18236-060C	18336-060C	1	0	613
---	------------	------------	---	---	-----

True Union 2000 Industrial Vented/Bleach Ball Valves



Pressure Rating @ 73°F (23°C), Water

1/2" - 4"	235 psi
6"	150 psi
Flanged	150 psi

Same True Union 2000 Industrial Ball Valve with Special Ball Vent Design for Sodium Hypochlorite (Bleach) and other Chemical Applications where entrapped fluids may form caustic crystalline residues and pressure build up from gases developed. Valve has a 1/8" vent hole in ball to equalize internal fluid pressures. Install valve with ball vent on the pressure (upstream) side when in closed position.

All Valves assembled with Silicone-Free, Water Soluble Lubricant

Contact Spears® for MSRP & Availability on Custom Elastomer Seals. See Ball Valve Accessories & Repair Kits Section for Additional Options and Features

PVC True Union 2000 Industrial Vented/Bleach Ball Valves

Size	EPDM	FKM	Std Pk	Mstr Pk	Prod Code
------	------	-----	--------	---------	-----------

Threaded & Socket Ends

1/2	1829V-005	1839V-005	1	18	600
3/4	1829V-007	1839V-007	1	18	600

Suitable for Oil-Free air handling to 25 psi, not for distribution of compressed air or gas

JJ DOWNS INDUSTRIAL PLASTICS INC.

member
international association
of plastics distribution

416.236.1884 Toronto, ON JJDOWN.COM



Valves Product
True Union 2000 Industrial Vented/Bleach Ball Valves

True Union 2000 Industrial Vented/Bleach Ball Valves
PVC True Union 2000 Industrial Vented/Bleach Ball Valves

(continued)

Size	EPDM	FKM	Std Pk	Mstr Pk	Prod Code
Threaded & Socket Ends					
1	1829V-010	1839V-010	1	12	600
1-1/4	1829V-012	1839V-012	1	8	600
1-1/2	1829V-015	1839V-015	1	8	600
2	1829V-020	1839V-020	1	4	600

Socket Ends

2-1/2	1822V-025	1832V-025	1	0	601
3	1822V-030	1832V-030	1	0	601
4	1822V-040	1832V-040	1	0	601
6	1822V-060	1832V-060	1	0	612

SR Threaded Ends

1/2	1821V-005SR	1831V-005SR	1	18	600
3/4	1821V-007SR	1831V-007SR	1	18	600
1	1821V-010SR	1831V-010SR	1	12	600
1-1/4	1821V-012SR	1831V-012SR	1	8	600
1-1/2	1821V-015SR	1831V-015SR	1	8	600
2	1821V-020SR	1831V-020SR	1	4	600
2-1/2	1821V-025SR	1831V-025SR	1	0	601
3	1821V-030SR	1831V-030SR	1	0	601
4	1821V-040SR	1831V-040SR	1	0	601

Flanged Ends

1/2	1823V-005	1833V-005	1	8	600
3/4	1823V-007	1833V-007	1	8	600
1	1823V-010	1833V-010	1	8	600
1-1/4	1823V-012	1833V-012	1	8	600
1-1/2	1823V-015	1833V-015	1	4	600
2	1823V-020	1833V-020	1	0	600
2-1/2	1823V-025	1833V-025	1	0	601
3	1823V-030	1833V-030	1	0	601
4	1823V-040	1833V-040	1	0	601
6	1823V-060	1833V-060	1	0	612

CPVC True Union 2000 Industrial Vented/Bleach Ball Valves

Size	EPDM	FKM	Std Pk	Mstr Pk	Prod Code
------	------	-----	--------	---------	-----------

Threaded & Socket Ends

1/2	1829V-005C	1839V-005C	1	18	602
3/4	1829V-007C	1839V-007C	1	18	602
1	1829V-010C	1839V-010C	1	12	602
1-1/4	1829V-012C	1839V-012C	1	8	602
1-1/2	1829V-015C	1839V-015C	1	8	602
2	1829V-020C	1839V-020C	1	4	602

Socket Ends

2-1/2	1822V-025C	1832V-025C	1	0	603
3	1822V-030C	1832V-030C	1	0	603
4	1822V-040C	1832V-040C	1	0	603
6	1822V-060C	1832V-060C	1	0	613

SR Threaded Ends

1/2	1821V-005CSR	1831V-005CSR	1	18	602
3/4	1821V-007CSR	1831V-007CSR	1	18	602
1	1821V-010CSR	1831V-010CSR	1	12	602

CPVC True Union 2000 Industrial Vented/Bleach Ball Valves

(continued)

Size	EPDM	FKM	Std Pk	Mstr Pk	Prod Code
------	------	-----	--------	---------	-----------

SR Threaded Ends

1-1/4	1821V-012CSR	1831V-012CSR	1	8	602
1-1/2	1821V-015CSR	1831V-015CSR	1	8	602
2	1821V-020CSR	1831V-020CSR	1	4	602
2-1/2	1821V-025CSR	1831V-025CSR	1	0	603
3	1821V-030CSR	1831V-030CSR	1	0	603
4	1821V-040CSR	1831V-040CSR	1	0	603

Flanged Ends

1/2	1823V-005C	1833V-005C	1	8	602
3/4	1823V-007C	1833V-007C	1	8	602
1	1823V-010C	1833V-010C	1	8	602
1-1/4	1823V-012C	1833V-012C	1	8	602
1-1/2	1823V-015C	1833V-015C	1	4	602
2	1823V-020C	1833V-020C	1	0	602
2-1/2	1823V-025C	1833V-025C	1	0	603
3	1823V-030C	1833V-030C	1	0	603
4	1823V-040C	1833V-040C	1	0	603
6	1823V-060C	1833V-060C	1	0	613

Suitable for Oil-Free air handling to 25 psi, not for distribution of compressed air or gas

JJ DOWNS INDUSTRIAL PLASTICS INC.

416.236.1884
Toronto, ON
JJDOWNS.COM



Valves Product
True Union Industrial 3-Way Full Port Ball Valves

Pressure Rating @ 73°F (23°C), Water
 "1/2" - 2 235 psi
 Flanged 150 psi

Maximum Service Temperature
 PVC = 140°F (60°C)
 CPVC = 200°F (93°C)
 Temperature/Pressure De-ratings Apply

Vertical Full Port or Horizontal 3-Way Design
 (With Horizontal Branch Shut-off)
 All Standard Carton Quantities are one
 All Valves assembled with Silicone-Free,
 Water Soluble Lubricant

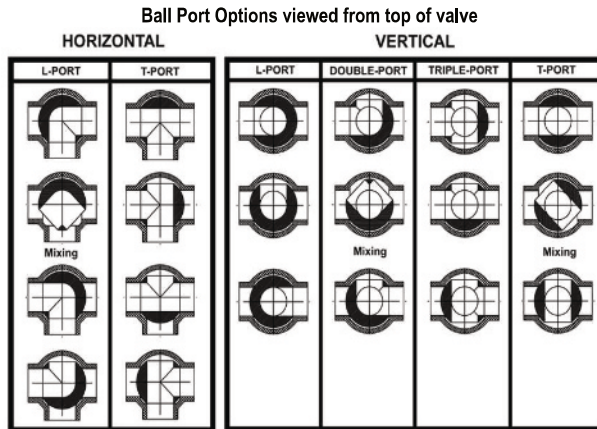
See Ball Valve Accessories & Repair Kits Section
 for Additional Options and Features



Horizontal 3-Way Valve



Vertical 3-Way Valve



The Adjustable Stop Ring (sold separately) must be used with any "MIXING"
 Port Option to provide proper mid-way handle stop function.
 (See Ball Valve Accessories for details)

PVC Horizontal 3-Way Full Port Ball Valves

Material		EPDM				FKM				Prod Code
Joint	Socket	SR Fipt	Spigot	Flanged	Socket	SR Fipt	Spigot	Flanged		
Size	Ball Port	Part #	Part #	Part #	Part #	Part #	Part #	Part #	Part #	
1/2	L-Port	7022L1-005	7021L1-005SR	7027L1-005	7023L1-005	7032L1-005	7031L1-005SR	7037L1-005	7033L1-005	615
	T-Port	7022T1-005	7021T1-005SR	7027T1-005	7023T1-005	7032T1-005	7031T1-005SR	7037T1-005	7033T1-005	615
3/4	L-Port	7022L1-007	7021L1-007SR	7027L1-007	7023L1-007	7032L1-007	7031L1-007SR	7037L1-007	7033L1-007	615
	T-Port	7022T1-007	7021T1-007SR	7027T1-007	7023T1-007	7032T1-007	7031T1-007SR	7037T1-007	7033T1-007	615
1	L-Port	7022L1-010	7021L1-010SR	7027L1-010	7023L1-010	7032L1-010	7031L1-010SR	7037L1-010	7033L1-010	615
	T-Port	7022T1-010	7021T1-010SR	7027T1-010	7023T1-010	7032T1-010	7031T1-010SR	7037T1-010	7033T1-010	615
1-1/4	L-Port	7022L1-012	7021L1-012SR	7027L1-012	7023L1-012	7032L1-012	7031L1-012SR	7037L1-012	7033L1-012	615
	T-Port	7022T1-012	7021T1-012SR	7027T1-012	7023T1-012	7032T1-012	7031T1-012SR	7037T1-012	7033T1-012	615

Suitable for Oil-Free air handling to 25 psi, not for distribution of compressed air or gas

JJ DOWNS INDUSTRIAL PLASTICS INC.

416.236.1884
Toronto, ON
JJDOWNS.COM

member
iapd
international association
of plastics distribution



Valves Product
True Union Industrial 3-Way Full Port Ball Valves

PVC Horizontal 3-Way Full Port Ball Valves (continued)

Material		EPDM				FKM				Prod Code
Joint	Ball Port	Socket	SR Fipt	Spigot	Flanged	Socket	SR Fipt	Spigot	Flanged	
Size	Ball Port	Part #	Part #	Part #	Part #	Part #	Part #	Part #	Part #	Part #
1-1/2	L-Port	7022L1-015	7021L1-015SR	7027L1-015	7023L1-015	7032L1-015	7031L1-015SR	7037L1-015	7033L1-015	615
	T-Port	7022T1-015	7021T1-015SR	7027T1-015	7023T1-015	7032T1-015	7031T1-015SR	7037T1-015	7033T1-015	615
2	L-Port	7022L1-020	7021L1-020SR	7027L1-020	7023L1-020	7032L1-020	7031L1-020SR	7037L1-020	7033L1-020	615
	T-Port	7022T1-020	7021T1-020SR	7027T1-020	7023T1-020	7032T1-020	7031T1-020SR	7037T1-020	7033T1-020	615

CPVC Horizontal 3-Way Full Port Ball Valves

Material		EPDM				FKM				Prod Code
Joint	Ball Port	Socket	SR Fipt	Spigot	Flanged	Socket	SR Fipt	Spigot	Flanged	
Size	Ball Port	Part #	Part #	Part #	Part #	Part #	Part #	Part #	Part #	Part #
1/2	L-Port	7022L1-005C	7021L1-005CSR	7027L1-005C	7023L1-005C	7032L1-005C	7031L1-005CSR	7037L1-005C	7033L1-005C	617
	T-Port	7022T1-005C	7021T1-005CSR	7027T1-005C	7023T1-005C	7032T1-005C	7031T1-005CSR	7037T1-005C	7033T1-005C	617
3/4	L-Port	7022L1-007C	7021L1-007CSR	7027L1-007C	7023L1-007C	7032L1-007C	7031L1-007CSR	7037L1-007C	7033L1-007C	617
	T-Port	7022T1-007C	7021T1-007CSR	7027T1-007C	7023T1-007C	7032T1-007C	7031T1-007CSR	7037T1-007C	7033T1-007C	617
1	L-Port	7022L1-010C	7021L1-010CSR	7027L1-010C	7023L1-010C	7032L1-010C	7031L1-010CSR	7037L1-010C	7033L1-010C	617
	T-Port	7022T1-010C	7021T1-010CSR	7027T1-010C	7023T1-010C	7032T1-010C	7031T1-010CSR	7037T1-010C	7033T1-010C	617
1-1/4	L-Port	7022L1-012C	7021L1-012CSR	7027L1-012C	7023L1-012C	7032L1-012C	7031L1-012CSR	7037L1-012C	7033L1-012C	617
	T-Port	7022T1-012C	7021T1-012CSR	7027T1-012C	7023T1-012C	7032T1-012C	7031T1-012CSR	7037T1-012C	7033T1-012C	617
1-1/2	L-Port	7022L1-015C	7021L1-015CSR	7027L1-015C	7023L1-015C	7032L1-015C	7031L1-015CSR	7037L1-015C	7033L1-015C	617
	T-Port	7022T1-015C	7021T1-015CSR	7027T1-015C	7023T1-015C	7032T1-015C	7031T1-015CSR	7037T1-015C	7033T1-015C	617
2	L-Port	7022L1-020C	7021L1-020CSR	7027L1-020C	7023L1-020C	7032L1-020C	7031L1-020CSR	7037L1-020C	7033L1-020C	617
	T-Port	7022T1-020C	7021T1-020CSR	7027T1-020C	7023T1-020C	7032T1-020C	7031T1-020CSR	7037T1-020C	7033T1-020C	617

PVC Vertical 3-Way Full Port Ball Valves

Material		EPDM				FKM				Prod Code
Joint	Ball Port	Socket	SR Fipt	Spigot	Flanged	Socket	SR Fipt	Spigot	Flanged	
Size	Ball Port	Part #	Part #	Part #	Part #	Part #	Part #	Part #	Part #	Part #
1/2	L-Port	7122L1-005	7121L1-005SR	7127L1-005	7123L1-005	7132L1-005	7131L1-005SR	7137L1-005	7133L1-005	615
	Double L-Port	7122L2-005	7121L2-005SR	7127L2-005	7123L2-005	7132L2-005	7131L2-005SR	7137L2-005	7133L2-005	615
	Triple L-Port	7122L3-005	7121L3-005SR	7127L3-005	7123L3-005	7132L3-005	7131L3-005SR	7137L3-005	7133L3-005	615
	T-Port	7122T1-005	7121T1-005SR	7127T1-005	7123T1-005	7132T1-005	7131T1-005SR	7137T1-005	7133T1-005	615
3/4	L-Port	7122L1-007	7121L1-007SR	7127L1-007	7123L1-007	7132L1-007	7131L1-007SR	7137L1-007	7133L1-007	615
	Double L-Port	7122L2-007	7121L2-007SR	7127L2-007	7123L2-007	7132L2-007	7131L2-007SR	7137L2-007	7133L2-007	615
	Triple L-Port	7122L3-007	7121L3-007SR	7127L3-007	7123L3-007	7132L3-007	7131L3-007SR	7137L3-007	7133L3-007	615
	T-Port	7122T1-007	7121T1-007SR	7127T1-007	7123T1-007	7132T1-007	7131T1-007SR	7137T1-007	7133T1-007	615
1	L-Port	7122L1-010	7121L1-010SR	7127L1-010	7123L1-010	7132L1-010	7131L1-010SR	7137L1-010	7133L1-010	615
	Double L-Port	7122L2-010	7121L2-010SR	7127L2-010	7123L2-010	7132L2-010	7131L2-010SR	7137L2-010	7133L2-010	615
	Triple L-Port	7122L3-010	7121L3-010SR	7127L3-010	7123L3-010	7132L3-010	7131L3-010SR	7137L3-010	7133L3-010	615
	T-Port	7122T1-010	7121T1-010SR	7127T1-010	7123T1-010	7132T1-010	7131T1-010SR	7137T1-010	7133T1-010	615
1-1/4	L-Port	7122L1-012	7121L1-012SR	7127L1-012	7123L1-012	7132L1-012	7131L1-012SR	7137L1-012	7133L1-012	615
	Double L-Port	7122L2-012	7121L2-012SR	7127L2-012	7123L2-012	7132L2-012	7131L2-012SR	7137L2-012	7133L2-012	615
	Triple L-Port	7122L3-012	7121L3-012SR	7127L3-012	7123L3-012	7132L3-012	7131L3-012SR	7137L3-012	7133L3-012	615
	T-Port	7122T1-012	7121T1-012SR	7127T1-012	7123T1-012	7132T1-012	7131T1-012SR	7137T1-012	7133T1-012	615

Suitable for Oil-Free air handling to 25 psi, not for distribution of compressed air or gas

JJ DOWNS INDUSTRIAL PLASTICS INC.

416.236.1884 Toronto, ON JJDOWN.COM



Valves Product
True Union Industrial 3-Way Full Port Ball Valves

PVC Vertical 3-Way Full Port Ball Valves (continued)

Material		EPDM				FKM				Prod Code
Joint	Socket	SR Fipt	Spigot	Flanged	Socket	SR Fipt	Spigot	Flanged		
Size	Ball Port	Part #	Part #	Part #	Part #	Part #	Part #	Part #	Part #	
Socket										
1-1/2	L-Port	7122L1-015	7121L1-015SR	7127L1-015	7123L1-015	7132L1-015	7131L1-015SR	7137L1-015	7133L1-015	615
	Double L-Port	7122L2-015	7121L2-015SR	7127L2-015	7123L2-015	7132L2-015	7131L2-015SR	7137L2-015	7133L2-015	615
	Triple L-Port	7122L3-015	7121L3-015SR	7127L3-015	7123L3-015	7132L3-015	7131L3-015SR	7137L3-015	7133L3-015	615
	T-Port	7122T1-015	7121T1-015SR	7127T1-015	7123T1-015	7132T1-015	7131T1-015SR	7137T1-015	7133T1-015	615
2	L-Port	7122L1-020	7121L1-020SR	7127L1-020	7123L1-020	7132L1-020	7131L1-020SR	7137L1-020	7133L1-020	615
	Double L-Port	7122L2-020	7121L2-020SR	7127L2-020	7123L2-020	7132L2-020	7131L2-020SR	7137L2-020	7133L2-020	615
	Triple L-Port	7122L3-020	7121L3-020SR	7127L3-020	7123L3-020	7132L3-020	7131L3-020SR	7137L3-020	7133L3-020	615
	T-Port	7122T1-020	7121T1-020SR	7127T1-020	7123T1-020	7132T1-020	7131T1-020SR	7137T1-020	7133T1-020	615

CPVC Vertical 3-Way Full Port Ball Valves

Material		EPDM				FKM				Prod Code
Joint	Socket	SR Fipt	Spigot	Flanged	Socket	SR Fipt	Spigot	Flanged		
Size	Ball Port	Part #	Part #	Part #	Part #	Part #	Part #	Part #	Part #	
1/2	L-Port	7122L1-005C	7121L1-005CSR	7127L1-005C	7123L1-005C	7132L1-005C	7131L1-005CSR	7137L1-005C	7133L1-005C	617
	Double L-Port	7122L2-005C	7121L2-005CSR	7127L2-005C	7123L2-005C	7132L2-005C	7131L2-005CSR	7137L2-005C	7133L2-005C	617
	Triple L-Port	7122L3-005C	7121L3-005CSR	7127L3-005C	7123L3-005C	7132L3-005C	7131L3-005CSR	7137L3-005C	7133L3-005C	617
	T-Port	7122T1-005C	7121T1-005CSR	7127T1-005C	7123T1-005C	7132T1-005C	7131T1-005CSR	7137T1-005C	7133T1-005C	617
3/4	L-Port	7122L1-007C	7121L1-007CSR	7127L1-007C	7123L1-007C	7132L1-007C	7131L1-007CSR	7137L1-007C	7133L1-007C	617
	Double L-Port	7122L2-007C	7121L2-007CSR	7127L2-007C	7123L2-007C	7132L2-007C	7131L2-007CSR	7137L2-007C	7133L2-007C	617
	Triple L-Port	7122L3-007C	7121L3-007CSR	7127L3-007C	7123L3-007C	7132L3-007C	7131L3-007CSR	7137L3-007C	7133L3-007C	617
	T-Port	7122T1-007C	7121T1-007CSR	7127T1-007C	7123T1-007C	7132T1-007C	7131T1-007CSR	7137T1-007C	7133T1-007C	617
1	L-Port	7122L1-010C	7121L1-010CSR	7127L1-010C	7123L1-010C	7132L1-010C	7131L1-010CSR	7137L1-010C	7133L1-010C	617
	Double L-Port	7122L2-010C	7121L2-010CSR	7127L2-010C	7123L2-010C	7132L2-010C	7131L2-010CSR	7137L2-010C	7133L2-010C	617
	Triple L-Port	7122L3-010C	7121L3-010CSR	7127L3-010C	7123L3-010C	7132L3-010C	7131L3-010CSR	7137L3-010C	7133L3-010C	617
	T-Port	7122T1-010C	7121T1-010CSR	7127T1-010C	7123T1-010C	7132T1-010C	7131T1-010CSR	7137T1-010C	7133T1-010C	617
1-1/4	L-Port	7122L1-012C	7121L1-012CSR	7127L1-012C	7123L1-012C	7132L1-012C	7131L1-012CSR	7137L1-012C	7133L1-012C	617
	Double L-Port	7122L2-012C	7121L2-012CSR	7127L2-012C	7123L2-012C	7132L2-012C	7131L2-012CSR	7137L2-012C	7133L2-012C	617
	Triple L-Port	7122L3-012C	7121L3-012CSR	7127L3-012C	7123L3-012C	7132L3-012C	7131L3-012CSR	7137L3-012C	7133L3-012C	617
	T-Port	7122T1-012C	7121T1-012CSR	7127T1-012C	7123T1-012C	7132T1-012C	7131T1-012CSR	7137T1-012C	7133T1-012C	617
1-1/2	L-Port	7122L1-015C	7121L1-015CSR	7127L1-015C	7123L1-015C	7132L1-015C	7131L1-015CSR	7137L1-015C	7133L1-015C	617
	Double L-Port	7122L2-015C	7121L2-015CSR	7127L2-015C	7123L2-015C	7132L2-015C	7131L2-015CSR	7137L2-015C	7133L2-015C	617
	Triple L-Port	7122L3-015C	7121L3-015CSR	7127L3-015C	7123L3-015C	7132L3-015C	7131L3-015CSR	7137L3-015C	7133L3-015C	617
	T-Port	7122T1-015C	7121T1-015CSR	7127T1-015C	7123T1-015C	7132T1-015C	7131T1-015CSR	7137T1-015C	7133T1-015C	617
2	L-Port	7122L1-020C	7121L1-020CSR	7127L1-020C	7123L1-020C	7132L1-020C	7131L1-020CSR	7137L1-020C	7133L1-020C	617
	Double L-Port	7122L2-020C	7121L2-020CSR	7127L2-020C	7123L2-020C	7132L2-020C	7131L2-020CSR	7137L2-020C	7133L2-020C	617
	Triple L-Port	7122L3-020C	7121L3-020CSR	7127L3-020C	7123L3-020C	7132L3-020C	7131L3-020CSR	7137L3-020C	7133L3-020C	617
	T-Port	7122T1-020C	7121T1-020CSR	7127T1-020C	7123T1-020C	7132T1-020C	7131T1-020CSR	7137T1-020C	7133T1-020C	617

Suitable for Oil-Free air handling to 25 psi, not for distribution of compressed air or gas

JJ DOWNS INDUSTRIAL PLASTICS INC.

416.236.1884 Toronto, ON JJDOWNNS.COM



Valves Product
True Union 2000 Industrial 3-Way Ball Valves

True Union 2000 Industrial 3-Way Ball Valves (Regular)

Pressure Rating @ 73°F (23°C), Water
 "1/2" - 2 235 psi
 2-1/2" - 4 150 psi
 Flanged 150 psi

Maximum Service Temperature
 PVC = 140°F (60°C)
 CPVC = 200°F (93°C)
 Temperature/Pressure De-ratings Apply

Vertical 3-Way or Horizontal Diverter Design
 (No Branch Shut-off)

All Standard Carton Quantities are one
 All Valves assembled with Silicone-Free,
 Water Soluble Lubricant

See Ball Valve Accessories & Repair Kits Section
 for Additional Options and Features

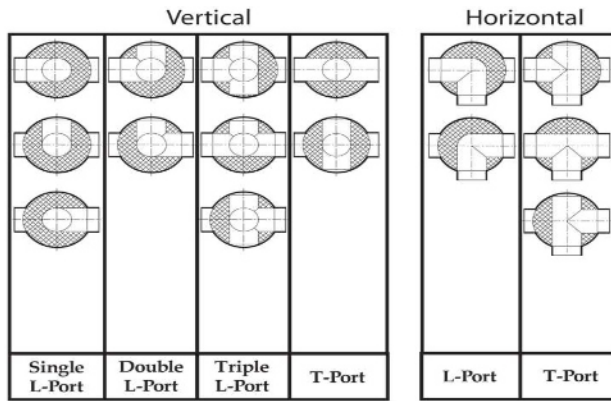


Horizontal Diverter Valve



Vertical 3-Way Valve

Ball Port Options



Ball port options viewed from top of valve

PVC Horizontal Diverter Ball Valves

Material		EPDM				FKM				Prod Code
Joint	Ball Port	Socket	SR Thread	Spigot	Flanged	Socket	SR Thread	Spigot	Flanged	
Size	Ball Port	Part #	Part #	Part #	Part #	Part #	Part #	Part #	Part #	
1/2	L-Port	5022L1-005	5021L1-005SR	5027L1-005	5023L1-005	5032L1-005	5031L1-005SR	5037L1-005	5033L1-005	615
	T-Port	5022T1-005	5021T1-005SR	5027T1-005	5023T1-005	5032T1-005	5031T1-005SR	5037T1-005	5033T1-005	615
3/4	L-Port	5022L1-007	5021L1-007SR	5027L1-007	5023L1-007	5032L1-007	5031L1-007SR	5037L1-007	5033L1-007	615
	T-Port	5022T1-007	5021T1-007SR	5027T1-007	5023T1-007	5032T1-007	5031T1-007SR	5037T1-007	5033T1-007	615
1	L-Port	5022L1-010	5021L1-010SR	5027L1-010	5023L1-010	5032L1-010	5031L1-010SR	5037L1-010	5033L1-010	615
	T-Port	5022T1-010	5021T1-010SR	5027T1-010	5023T1-010	5032T1-010	5031T1-010SR	5037T1-010	5033T1-010	615
1-1/4	L-Port	5022L1-012	5021L1-012SR	5027L1-012	5023L1-012	5032L1-012	5031L1-012SR	5037L1-012	5033L1-012	615
	T-Port	5022T1-012	5021T1-012SR	5027T1-012	5023T1-012	5032T1-012	5031T1-012SR	5037T1-012	5033T1-012	615
1-1/2	L-Port	5022L1-015	5021L1-015SR	5027L1-015	5023L1-015	5032L1-015	5031L1-015SR	5037L1-015	5033L1-015	615
	T-Port	5022T1-015	5021T1-015SR	5027T1-015	5023T1-015	5032T1-015	5031T1-015SR	5037T1-015	5033T1-015	615

Suitable for Oil-Free air handling to 25 psi, not for distribution of compressed air or gas

JJ DOWNS INDUSTRIAL PLASTICS INC.

416.236.1884
Toronto, ON
JJDOWNS.COM

member
iapd
international association
of plastics distributors



Valves Product
True Union 2000 Industrial 3-Way Ball Valves

PVC Horizontal Diverter Ball Valves (continued)

Material		EPDM				FKM				Prod Code
Joint		Socket	SR Thread	Spigot	Flanged	Socket	SR Thread	Spigot	Flanged	
Size	Ball Port	Part #	Part #	Part #	Part #	Part #	Part #	Part #	Part #	

Socket

2	L-Port	5022L1-020	5021L1-020SR	5027L1-020	5023L1-020	5032L1-020	5031L1-020SR	5037L1-020	5033L1-020	615
	T-Port	5022T1-020	5021T1-020SR	5027T1-020	5023T1-020	5032T1-020	5031T1-020SR	5037T1-020	5033T1-020	615
2-1/2	L-Port	5022L1-025	5021L1-025SR	5027L1-025	5023L1-025	5032L1-025	5031L1-025SR	5037L1-025	5033L1-025	615
	T-Port	5022T1-025	5021T1-025SR	5027T1-025	5023T1-025	5032T1-025	5031T1-025SR	5037T1-025	5033T1-025	615
3	L-Port	5022L1-030	5021L1-030SR	5027L1-030	5023L1-030	5032L1-030	5031L1-030SR	5037L1-030	5033L1-030	615
	T-Port	5022T1-030	5021T1-030SR	5027T1-030	5023T1-030	5032T1-030	5031T1-030SR	5037T1-030	5033T1-030	615
4	L-Port	5022L1-040	5021L1-040SR	5027L1-040	5023L1-040	5032L1-040	5031L1-040SR	5037L1-040	5033L1-040	615
	T-Port	5022T1-040	5021T1-040SR	5027T1-040	5023T1-040	5032T1-040	5031T1-040SR	5037T1-040	5033T1-040	615

CPVC Horizontal Diverter Ball Valves

Material		EPDM				FKM				Prod Code
Joint		Socket	SR Thread	Spigot	Flanged	Socket	SR Thread	Spigot	Flanged	
Size	Ball Port	Part #	Part #	Part #	Part #	Part #	Part #	Part #	Part #	
1/2	L-Port	5022L1-005C	5021L1-005CSR	5027L1-005C	5023L1-005C	5032L1-005C	5031L1-005CSR	5037L1-005C	5033L1-005C	617
	T-Port	5022T1-005C	5021T1-005CSR	5027T1-005C	5023T1-005C	5032T1-005C	5031T1-005CSR	5037T1-005C	5033T1-005C	617
3/4	L-Port	5022L1-007C	5021L1-007CSR	5027L1-007C	5023L1-007C	5032L1-007C	5031L1-007CSR	5037L1-007C	5033L1-007C	617
	T-Port	5022T1-007C	5021T1-007CSR	5027T1-007C	5023T1-007C	5032T1-007C	5031T1-007CSR	5037T1-007C	5033T1-007C	617
1	L-Port	5022L1-010C	5021L1-010CSR	5027L1-010C	5023L1-010C	5032L1-010C	5031L1-010CSR	5037L1-010C	5033L1-010C	617
	T-Port	5022T1-010C	5021T1-010CSR	5027T1-010C	5023T1-010C	5032T1-010C	5031T1-010CSR	5037T1-010C	5033T1-010C	617
1-1/4	L-Port	5022L1-012C	5021L1-012CSR	5027L1-012C	5023L1-012C	5032L1-012C	5031L1-012CSR	5037L1-012C	5033L1-012C	617
	T-Port	5022T1-012C	5021T1-012CSR	5027T1-012C	5023T1-012C	5032T1-012C	5031T1-012CSR	5037T1-012C	5033T1-012C	617
1-1/2	L-Port	5022L1-015C	5021L1-015CSR	5027L1-015C	5023L1-015C	5032L1-015C	5031L1-015CSR	5037L1-015C	5033L1-015C	617
	T-Port	5022T1-015C	5021T1-015CSR	5027T1-015C	5023T1-015C	5032T1-015C	5031T1-015CSR	5037T1-015C	5033L1-015C	617
2	L-Port	5022L1-020C	5021L1-020CSR	5027L1-020C	5023L1-020C	5032L1-020C	5031L1-020CSR	5037L1-020C	5033L1-020C	617
	T-Port	5022T1-020C	5021T1-020CSR	5027T1-020C	5023T1-020C	5032T1-020C	5031T1-020CSR	5037T1-020C	5033T1-020C	617
2-1/2	L-Port	5022L1-025C	5021L1-025CSR	5027L1-025C	5023L1-025C	5032L1-025C	5031L1-025CSR	5037L1-025C	5033L1-025C	617
	T-Port	5022T1-025C	5021T1-025CSR	5027T1-025C	5023T1-025C	5032T1-025C	5031T1-025CSR	5037T1-025C	5033T1-025C	617
3	L-Port	5022L1-030C	5021L1-030CSR	5027L1-030C	5023L1-030C	5032L1-030C	5031L1-030CSR	5037L1-030C	5033L1-030C	617
	T-Port	5022T1-030C	5021T1-030CSR	5027T1-030C	5023T1-030C	5032T1-030C	5031T1-030CSR	5037T1-030C	5033T1-030C	617
4	L-Port	5022L1-040C	5021L1-040CSR	5027L1-040C	5023L1-040C	5032L1-040C	5031L1-040CSR	5037L1-040C	5033L1-040C	617
	T-Port	5022T1-040C	5021T1-040CSR	5027T1-040C	5023T1-040C	5032T1-040C	5031T1-040CSR	5037T1-040C	5033T1-040C	617

PVC Vertical 3-Way Ball Valves

Material		EPDM				FKM				Prod Code
Joint		Socket	SR Thread	Spigot	Flanged	Socket	SR Thread	Spigot	Flanged	
Size	Ball Port	Part #	Part #	Part #	Part #	Part #	Part #	Part #	Part #	
1/2	L-Port	4722L1-005	4721L1-005SR	4727L1-005	4723L1-005	4732L1-005	4731L1-005SR	4737L1-005	4733L1-005	615
	Double L-Port	4722L2-005	4721L2-005SR	4727L2-005	4723L2-005	4732L2-005	4731L2-005SR	4737L2-005	4733L2-005	615
	Triple L-Port	4722L3-005	4721L3-005SR	4727L3-005	4723L3-005	4732L3-005	4731L3-005SR	4737L3-005	4733L3-005	615
	T-Port	4722T1-005	4721T1-005SR	4727T1-005	4723T1-005	4732T1-005	4731T1-005SR	4737T1-005	4733T1-005	615
3/4	L-Port	4722L1-007	4721L1-007SR	4727L1-007	4723L1-007	4732L1-007	4731L1-007SR	4737L1-007	4733L1-007	615
	Double L-Port	4722L2-007	4721L2-007SR	4727L2-007	4723L2-007	4732L2-007	4731L2-007SR	4737L2-007	4733L2-007	615
	Triple L-Port	4722L3-007	4721L3-007SR	4727L3-007	4723L3-007	4732L3-007	4731L3-007SR	4737L3-007	4733L3-007	615
	T-Port	4722T1-007	4721T1-007SR	4727T1-007	4723T1-007	4732T1-007	4731T1-007SR	4737T1-007	4733T1-007	615
1	L-Port	4722L1-010	4721L1-010SR	4727L1-010	4723L1-010	4732L1-010	4731L1-010SR	4737L1-010	4733L1-010	615
	Double L-Port	4722L2-010	4721L2-010SR	4727L2-010	4723L2-010	4732L2-010	4731L2-010SR	4737L2-010	4733L2-010	615
	Triple L-Port	4722L3-010	4721L3-010SR	4727L3-010	4723L3-010	4732L3-010	4731L3-010SR	4737L3-010	4733L3-010	615
	T-Port	4722T1-010	4721T1-010SR	4727T1-010	4723T1-010	4732T1-010	4731T1-010SR	4737T1-010	4733T1-010	615

Suitable for Oil-Free air handling to 25 psi, not for distribution of compressed air or gas

JJ DOWNS INDUSTRIAL PLASTICS INC.

416.236.1884 Toronto, ON JJDOWN.COM



Valves Product
True Union 2000 Industrial 3-Way Ball Valves

PVC Vertical 3-Way Ball Valves (continued)

Material		EPDM				FKM				Prod Code
Joint		Socket	SR Thread	Spigot	Flanged	Socket	SR Thread	Spigot	Flanged	
Size	Ball Port	Part #	Part #	Part #	Part #	Part #	Part #	Part #	Part #	
1-1/4	L-Port	4722L1-012	4721L1-012SR	4727L1-012	4723L1-012	4732L1-012	4731L1-012SR	4737L1-012	4733L1-012	615
	Double L-Port	4722L2-012	4721L2-012SR	4727L2-012	4723L2-012	4732L2-012	4731L2-012SR	4737L2-012	4733L2-012	615
	Triple L-Port	4722L3-012	4721L3-012SR	4727L3-012	4723L3-012	4732L3-012	4731L3-012SR	4737L3-012	4733L3-012	615
	T-Port	4722T1-012	4721T1-012SR	4727T1-012	4723T1-012	4732T1-012	4731T1-012SR	4737T1-012	4733T1-012	615
1-1/2	L-Port	4722L1-015	4721L1-015SR	4727L1-015	4723L1-015	4732L1-015	4731L1-015SR	4737L1-015	4733L1-015	615
	Double L-Port	4722L2-015	4721L2-015SR	4727L2-015	4723L2-015	4732L2-015	4731L2-015SR	4737L2-015	4733L2-015	615
	Triple L-Port	4722L3-015	4721L3-015SR	4727L3-015	4723L3-015	4732L3-015	4731L3-015SR	4737L3-015	4733L3-015	615
	T-Port	4722T1-015	4721T1-015SR	4727T1-015	4723T1-015	4732T1-015	4731T1-015SR	4737T1-015	4733T1-015	615
2	L-Port	4722L1-020	4721L1-020SR	4727L1-020	4723L1-020	4732L1-020	4731L1-020SR	4737L1-020	4733L1-020	615
	Double L-Port	4722L2-020	4721L2-020SR	4727L2-020	4723L2-020	4732L2-020	4731L2-020SR	4737L2-020	4733L2-020	615
	Triple L-Port	4722L3-020	4721L3-020SR	4727L3-020	4723L3-020	4732L3-020	4731L3-020SR	4737L3-020	4733L3-020	615
	T-Port	4722T1-020	4721T1-020SR	4727T1-020	4723T1-020	4732T1-020	4731T1-020SR	4737T1-020	4733T1-020	615
2-1/2	L-Port	4722L1-025	4721L1-025SR	4727L1-025	4723L1-025	4732L1-025	4731L1-025SR	4737L1-025	4733L1-025	615
	Double L-Port	4722L2-025	4721L2-025SR	4727L2-025	4723L2-025	4732L2-025	4731L2-025SR	4737L2-025	4733L2-025	615
	Triple L-Port	4722L3-025	4721L3-025SR	4727L3-025	4723L3-025	4732L3-025	4731L3-025SR	4737L3-025	4733L3-025	615
	T-Port	4722T1-025	4721T1-025SR	4727T1-025	4723T1-025	4732T1-025	4731T1-025SR	4737T1-025	4733T1-025	615
3	L-Port	4722L1-030	4721L1-030SR	4727L1-030	4723L1-030	4732L1-030	4731L1-030SR	4737L1-030	4733L1-030	615
	Double L-Port	4722L2-030	4721L2-030SR	4727L2-030	4723L2-030	4732L2-030	4731L2-030SR	4737L2-030	4733L2-030	615
	Triple L-Port	4722L3-030	4721L3-030SR	4727L3-030	4723L3-030	4732L3-030	4731L3-030SR	4737L3-030	4733L3-030	615
	T-Port	4722T1-030	4721T1-030SR	4727T1-030	4723T1-030	4732T1-030	4731T1-030SR	4737T1-030	4733T1-030	615
4	L-Port	4722L1-040	4721L1-040SR	4727L1-040	4723L1-040	4732L1-040	4731L1-040SR	4737L1-040	4733L1-040	615
	Double L-Port	4722L2-040	4721L2-040SR	4727L2-040	4723L2-040	4732L2-040	4731L2-040SR	4737L2-040	4733L2-040	615
	Triple L-Port	4722L3-040	4721L3-040SR	4727L3-040	4723L3-040	4732L3-040	4731L3-040SR	4737L3-040	4733L3-040	615
	T-Port	4722T1-040	4721T1-040SR	4727T1-040	4723T1-040	4732T1-040	4731T1-040SR	4737T1-040	4733T1-040	615

CPVC Vertical 3-Way Ball Valves

Material		EPDM				FKM				Prod Code
Joint		Socket	SR Thread	Spigot	Flanged	Socket	SR Thread	Spigot	Flanged	
Size	Ball Port	Part #	Part #	Part #	Part #	Part #	Part #	Part #	Part #	
1/2	L-Port	4722L1-005C	4721L1-005CSR	4727L1-005C	4723L1-005C	4732L1-005C	4731L1-005CSR	4737L1-005C	4733L1-005C	617
	Double L-Port	4722L2-005C	4721L2-005CSR	4727L2-005C	4723L2-005C	4732L2-005C	4731L2-005CSR	4737L2-005C	4733L2-005C	617
	Triple L-Port	4722L3-005C	4721L3-005CSR	4727L3-005C	4723L3-005C	4732L3-005C	4731L3-005CSR	4737L3-005C	4733L3-005C	617
	T-Port	4722T1-005C	4721T1-005CSR	4727T1-005C	4723T1-005C	4732T1-005C	4731T1-005CSR	4737T1-005C	4733T1-005C	617
3/4	L-Port	4722L1-007C	4721L1-007CSR	4727L1-007C	4723L1-007C	4732L1-007C	4731L1-007CSR	4737L1-007C	4733L1-007C	617
	Double L-Port	4722L2-007C	4721L2-007CSR	4727L2-007C	4723L2-007C	4732L2-007C	4731L2-007CSR	4737L2-007C	4733L2-007C	617
	Triple L-Port	4722L3-007C	4721L3-007CSR	4727L3-007C	4723L3-007C	4732L3-007C	4731L3-007CSR	4737L3-007C	4733L3-007C	617
	T-Port	4722T1-007C	4721T1-007CSR	4727T1-007C	4723T1-007C	4732T1-007C	4731T1-007CSR	4737T1-007C	4733T1-007C	617

Suitable for Oil-Free air handling to 25 psi, not for distribution of compressed air or gas

JJ DOWNS INDUSTRIAL PLASTICS INC.

416.236.1884 Toronto, ON JJDOWNNS.COM



Valves Product
True Union 2000 Industrial 3-Way Ball Valves

CPVC Vertical 3-Way Ball Valves (continued)

Material		EPDM				FKM				Prod Code
Joint	Ball Port	Socket	SR Thread	Spigot	Flanged	Socket	SR Thread	Spigot	Flanged	
Size	Part #	Part #	Part #	Part #	Part #	Part #	Part #	Part #	Part #	Part #
1	L-Port	4722L1-010C	4721L1-010CSR	4727L1-010C	4723L1-010C	4732L1-010C	4731L1-010CSR	4737L1-010C	4733L1-010C	617
	Double L-Port	4722L2-010C	4721L2-010CSR	4727L2-010C	4723L2-010C	4732L2-010C	4731L2-010CSR	4737L2-010C	4733L2-010C	617
	Triple L-Port	4722L3-010C	4721L3-010CSR	4727L3-010C	4723L3-010C	4732L3-010C	4731L3-010CSR	4737L3-010C	4733L3-010C	617
	T-Port	4722T1-010C	4721T1-010CSR	4727T1-010C	4723T1-010C	4732T1-010C	4731T1-010CSR	4737T1-010C	4733T1-010C	617
1-1/4	L-Port	4722L1-012C	4721L1-012CSR	4727L1-012C	4723L1-012C	4732L1-012C	4731L1-012CSR	4737L1-012C	4733L1-012C	617
	Double L-Port	4722L2-012C	4721L2-012CSR	4727L2-012C	4723L2-012C	4732L2-012C	4731L2-012CSR	4737L2-012C	4733L2-012C	617
	Triple L-Port	4722L3-012C	4721L3-012CSR	4727L3-012C	4723L3-012C	4732L3-012C	4731L3-012CSR	4737L3-012C	4733L3-012C	617
	T-Port	4722T1-012C	4721T1-012CSR	4727T1-012C	4723T1-012C	4732T1-012C	4731T1-012CSR	4737T1-012C	4733T1-012C	617
1-1/2	L-Port	4722L1-015C	4721L1-015CSR	4727L1-015C	4723L1-015C	4732L1-015C	4731L1-015CSR	4737L1-015C	4733L1-015C	617
	Double L-Port	4722L2-015C	4721L2-015CSR	4727L2-015C	4723L2-015C	4732L2-015C	4731L2-015CSR	4737L2-015C	4733L2-015C	617
	Triple L-Port	4722L3-015C	4721L3-015CSR	4727L3-015C	4723L3-015C	4732L3-015C	4731L3-015CSR	4737L3-015C	4733L3-015C	617
	T-Port	4722T1-015C	4721T1-015CSR	4727T1-015C	4723T1-015C	4732T1-015C	4731T1-015CSR	4737T1-015C	4733T1-015C	617
2	L-Port	4722L1-020C	4721L1-020CSR	4727L1-020C	4723L1-020C	4732L1-020C	4731L1-020CSR	4737L1-020C	4733L1-020C	617
	Double L-Port	4722L2-020C	4721L2-020CSR	4727L2-020C	4723L2-020C	4732L2-020C	4731L2-020CSR	4737L2-020C	4733L2-020C	617
	Triple L-Port	4722L3-020C	4721L3-020CSR	4727L3-020C	4723L3-020C	4732L3-020C	4731L3-020CSR	4737L3-020C	4733L3-020C	617
	T-Port	4722T1-020C	4721T1-020CSR	4727T1-020C	4723T1-020C	4732T1-020C	4731T1-020CSR	4737T1-020C	4733T1-020C	617
2-1/2	L-Port	4722L1-025C	4721L1-025CSR	4727L1-025C	4723L1-025C	4732L1-025C	4731L1-025CSR	4737L1-025C	4733L1-025C	617
	Double L-Port	4722L2-025C	4721L2-025CSR	4727L2-025C	4723L2-025C	4732L2-025C	4731L2-025CSR	4737L2-025C	4733L2-025C	617
	Triple L-Port	4722L3-025C	4721L3-025CSR	4727L3-025C	4723L3-025C	4732L3-025C	4731L3-025CSR	4737L3-025C	4733L3-025C	617
	T-Port	4722T1-025C	4721T1-025CSR	4727T1-025C	4723T1-025C	4732T1-025C	4731T1-025CSR	4737T1-025C	4733T1-025C	617
3	L-Port	4722L1-030C	4721L1-030CSR	4727L1-030C	4723L1-030C	4732L1-030C	4731L1-030CSR	4737L1-030C	4733L1-030C	617
	Double L-Port	4722L2-030C	4721L2-030CSR	4727L2-030C	4723L2-030C	4732L2-030C	4731L2-030CSR	4737L2-030C	4733L2-030C	617
	Triple L-Port	4722L3-030C	4721L3-030CSR	4727L3-030C	4723L3-030C	4732L3-030C	4731L3-030CSR	4737L3-030C	4733L3-030C	617
	T-Port	4722T1-030C	4721T1-030CSR	4727T1-030C	4723T1-030C	4732T1-030C	4731T1-030CSR	4737T1-030C	4733T1-030C	617
4	L-Port	4722L1-040C	4721L1-040CSR	4727L1-040C	4723L1-040C	4732L1-040C	4731L1-040CSR	4737L1-040C	4733L1-040C	617
	Double L-Port	4722L2-040C	4721L2-040CSR	4727L2-040C	4723L2-040C	4732L2-040C	4731L2-040CSR	4737L2-040C	4733L2-040C	617
	Triple L-Port	4722L3-040C	4721L3-040CSR	4727L3-040C	4723L3-040C	4732L3-040C	4731L3-040CSR	4737L3-040C	4733L3-040C	617
	T-Port	4722T1-040C	4721T1-040CSR	4727T1-040C	4723T1-040C	4732T1-040C	4731T1-040CSR	4737T1-040C	4733T1-040C	617

Suitable for Oil-Free air handling to 25 psi, not for distribution of compressed air or gas

JJ DOWNS INDUSTRIAL PLASTICS INC.

416.236.1884
Toronto, ON
JJDOWNS.COM



Valves Product
Tee-Style "Zero Dead-Leg" Ball Valves

Tee-Style "Zero Dead-Leg" Ball Valves

Valves are produced to order in Ball Valve sizes 1/2" - 2".

Tee Valves can be custom produced in any standard

Tee and Valve size combination,

The Tee Valve is assembled with socket end connector.

Tee Valves are a non-stock configuration.

All orders are non-cancelable, non-returnable.



Pressure Rating @ 73°F (23°C), Water
Valve Sizes 1/2" - 2" (20mm - 63mm) = 235 psi

Maximum Service Temperature
PVC = 140°F (60°C)
CPVC = 200°F (93°C)

Temperature/Pressure De-ratings Apply

PVC

Size	EPDM	FKM	Std Pk	Mstr Pk	Prod Code
Mainline Socket Tee x Valve Socket/Fipt					
1/2	182901-005	183901-005	1	12	263
3/4	182901-007	183901-007	1	8	263
1	182901-010	183901-010	1	8	263
2	182901-020	183901-020	1	0	263
3/4X1/2	182901-101	183901-101	1	12	263
1X1/2	182901-130	183901-130	1	8	263
1X3/4	182901-131	183901-131	1	8	263
1-1/4X1/2	182901-166	183901-166	1	8	263
1-1/4X3/4	182901-167	183901-167	1	8	263
1-1/4X1	182901-168	183901-168	1	8	263
1-1/2X1/2	182901-209	183901-209	1	8	263
1-1/2X3/4	182901-210	183901-210	1	12	263
1-1/2X1	182901-211	183901-211	1	8	263
2X1/2	182901-247	183901-247	1	8	263
2X3/4	182901-248	183901-248	1	8	263
2X1	182901-249	183901-249	1	8	263
2X1-1/2	182901-251	183901-251	1	8	263
3X1/2	182901-333	183901-333	1	8	263

PVC (continued)

Size	EPDM	FKM	Std Pk	Mstr Pk	Prod Code
Mainline Socket Tee x Valve Socket/Fipt					
3X1	182901-335	183901-335	1	4	263
3X1-1/2	182901-337	183901-337	1	0	263
3X2	182901-338	183901-338	1	0	263
4X1	182901-417	183901-417	1	0	263
4X1-1/2	182901-419	183901-419	1	0	263
4X2	182901-420	183901-420	1	0	263
6X2	182901-528	183901-528	1	0	263
8X2	182901-578	183901-578	1	0	263

CPVC

Size	EPDM	FKM	Std Pk	Mstr Pk	Prod Code
Mainline Socket Tee x Valve Socket/Fipt					
1/2	182901-005C	183901-005C	1	12	264
3/4	182901-007C	183901-007C	1	8	264
1	182901-010C	183901-010C	1	8	264
2	182901-020C	183901-020C	1	0	264
3/4X1/2	182901-101C	183901-101C	1	12	264
1X1/2	182901-130C	183901-130C	1	8	264
1X3/4	182901-131C	183901-131C	1	8	264
1-1/4X1/2	182901-166C	183901-166C	1	8	264
1-1/4X3/4	182901-167C	183901-167C	1	8	264
1-1/4X1	182901-168C	183901-168C	1	8	264
1-1/2X1/2	182901-209C	183901-209C	1	8	264
1-1/2X3/4	182901-210C	183901-210C	1	8	264
1-1/2X1	182901-211C	183901-211C	1	8	264
2X1/2	182901-247C	183901-247C	1	8	264
2X3/4	182901-248C	183901-248C	1	8	264
2X1	182901-249C	183901-249C	1	8	264
2X1-1/2	182901-251C	183901-251C	1	0	264
3X1/2	182901-333C	183901-333C	1	8	264
3X1	182901-335C	183901-335C	1	4	264
3X1-1/2	182901-337C	183901-337C	1	0	264
3X2	182901-338C	183901-338C	1	0	264
4X1	182901-417C	183901-417C	1	0	264
4X1-1/2	182901-419C	183901-419C	1	0	264
4X2	182901-420C	183901-420C	1	0	264
6X2	182901-528C	183901-528C	1	0	264
8X2	182901-578C	183901-578C	1	0	264

PVC Metric

Size	EPDM	FKM	Std Pk	Mstr Pk	Prod Code
Mainline Socket Tee x Valve Socket/Fipt					
20	182901M-020	183901M-020	1	8	263
25	182901M-025	183901M-025	1	8	263
32	182901M-032	183901M-032	1	8	263
40	182901M-040	183901M-040	1	8	263
50	182901M-050	183901M-050	1	8	263
63	182901M-063	183901M-063	1	8	263

CPVC Metric

Size	EPDM	FKM	Std Pk	Mstr Pk	Prod Code
Mainline Socket Tee x Valve Socket/Fipt					
20	182901M-020C	183901M-020C	1	8	264
25	182901M-025C	183901M-025C	1	8	263

Suitable for Oil-Free air handling to 25 psi, not for distribution of compressed air or gas

JJ DOWNS INDUSTRIAL PLASTICS INC.

416.236.1884 Toronto, ON JJDOWNNS.COM



Valves Product

Tee-Style "Zero Dead-Leg" Ball Valves & True Union 2000 Standard Ball Valves

Tee-Style "Zero Dead-Leg" Ball Valves

CPVC Metric (continued)

Size	EPDM	FKM	Std Pk	Mstr Pk	Prod Code
Mainline Socket Tee x Valve Socket/Fipt					
32	182901M-032C	183901M-032C	1	8	264
40	182901M-040C	183901M-040C	1	8	264
50	182901M-050C	183901M-050C	1	8	264
63	182901M-063C	183901M-063C	1	8	264

True Union 2000 Standard Ball Valves



Socket Style

Pressure Rating @ 73°F (23°C), Water
 1/2" - 2" = 235 psi
 2-1/2" - 4" = 150 psi
 Flanged = 150 psi

Maximum Service Temperature
 PVC = 140°F (60°C)
 CPVC = 200°F (93°C)

Temperature/Pressure De-ratings Apply

All Valves Assembled with Silicone-Free, Water Soluble Lubricant

See Ball Valve Accessories & Repair Kits Section for Additional Options and Features

PVC Standard

Size	EPDM	FKM	Std Pk	Mstr Pk	Prod Code
Socket & Threaded Ends					
1/2	3629-005	3639-005	1	18	608
3/4	3629-007	3639-007	1	18	608
1	3629-010	3639-010	1	12	608
1-1/4	3629-012	3639-012	1	8	608
1-1/2	3629-015	3639-015	1	8	608
2	3629-020	3639-020	1	4	608
Socket Ends					
2-1/2	3622-025	3632-025	1	0	609
3	3622-030	3632-030	1	0	609

PVC Standard (continued)

Size	EPDM	FKM	Std Pk	Mstr Pk	Prod Code
Socket Ends					
4	3622-040	3632-040	1	0	609
Threaded Ends					
2-1/2	3621-025	3631-025	1	0	609
3	3621-030	3631-030	1	0	609
4	3621-040	3631-040	1	0	609
SR Threaded Ends					
1/2	3621-005SR	3631-005SR	1	18	608
3/4	3621-007SR	3631-007SR	1	18	608
1	3621-010SR	3631-010SR	1	18	608
1-1/4	3621-012SR	3631-012SR	1	12	608
1-1/2	3621-015SR	3631-015SR	1	8	608
2	3621-020SR	3631-020SR	1	8	608
2-1/2	3621-025SR	3631-025SR	1	0	609
3	3621-030SR	3631-030SR	1	0	609
4	3621-040SR	3631-040SR	1	0	609
Spigot Ends					
1/2	3627-005	3637-005	1	18	608
3/4	3627-007	3637-007	1	18	608
1	3627-010	3637-010	1	12	608
1-1/4	3627-012	3637-012	1	12	608
1-1/2	3627-015	3637-015	1	8	608
2	3627-020	3637-020	1	8	608
2-1/2	3627-025	3637-025	1	0	609
3	3627-030	3637-030	1	0	609
4	3627-040	3637-040	1	0	609
Flanged Ends					
1/2	3623-005	3633-005	1	8	608
3/4	3623-007	3633-007	1	8	608
1	3623-010	3633-010	1	8	608
1-1/4	3623-012	3633-012	1	4	608
1-1/2	3623-015	3633-015	1	4	608
2	3623-020	3633-020	1	0	608
2-1/2	3623-025	3633-025	1	0	609
3	3623-030	3633-030	1	0	609
4	3623-040	3633-040	1	0	609
PVC White Standard					
Part Number	Size	Std Pk	Mstr Ctn	Prod Code	
Socket EPDM					
3622-015W	1-1/2	1	8	608	
3622-020W	2	1	8	608	
PVC White Standard					
Part Number	Size	Std Pk	Mstr Ctn	Prod Code	
SR Threaded Ends EPDM					
3621-015WSR	1-1/2	1	8	608	
3621-020WSR	2	1	8	608	
CPVC Standard					
Size	EPDM	FKM	Std Pk	Mstr Pk	Prod Code
Socket & Threaded Ends					
1/2	3629-005C	3639-005C	1	18	610
3/4	3629-007C	3639-007C	1	18	610
1	3629-010C	3639-010C	1	12	610

Suitable for Oil-Free air handling to 25 psi, not for distribution of compressed air or gas

JJ DOWNS INDUSTRIAL PLASTICS INC.

member
iapd
international association
of plastics distribution

416.236.1884
Toronto, ON
JJDOWNS.COM



Valves Product

True Union 2000 Standard Ball Valves & True Union 2000 Industrial Retrofit Ball Valves - Replaces Other Brand Valves

True Union 2000 Standard Ball Valves

CPVC Standard (continued)

Size	EPDM	FKM	Std Pk	Mstr Pk	Prod Code
------	------	-----	--------	---------	-----------

Socket & Threaded Ends

1-1/4	3629-012C	3639-012C	1	8	610
1-1/2	3629-015C	3639-015C	1	8	610
2	3629-020C	3639-020C	1	4	610

Socket Ends

2-1/2	3622-025C	3632-025C	1	0	611
3	3622-030C	3632-030C	1	0	611
4	3622-040C	3632-040C	1	0	611

Threaded Ends

2-1/2	3621-025C	3631-025C	1	0	611
3	3621-030C	3631-030C	1	0	611
4	3621-040C	3631-040C	1	0	611

SR Threaded Ends

1/2	3621-005CSR	3631-005CSR	1	18	610
3/4	3621-007CSR	3631-007CSR	1	18	610
1	3621-010CSR	3631-010CSR	1	18	610
1-1/4	3621-012CSR	3631-012CSR	1	12	610
1-1/2	3621-015CSR	3631-015CSR	1	8	610
2	3621-020CSR	3631-020CSR	1	8	610
2-1/2	3621-025CSR	3631-025CSR	1	0	611
3	3621-030CSR	3631-030CSR	1	0	611
4	3621-040CSR	3631-040CSR	1	0	611

Spigot Ends

1/2	3627-005C	3637-005C	1	18	610
3/4	3627-007C	3637-007C	1	18	610
1	3627-010C	3637-010C	1	12	610
1-1/4	3627-012C	3637-012C	1	12	610
1-1/2	3627-015C	3637-015C	1	8	610
2	3627-020C	3637-020C	1	8	610
2-1/2	3627-025C	3637-025C	1	0	611
3	3627-030C	3637-030C	1	0	611
4	3627-040C	3637-040C	1	0	611

Flanged Ends

1/2	3623-005C	3633-005C	1	8	610
3/4	3623-007C	3633-007C	1	8	610
1	3623-010C	3633-010C	1	8	610
1-1/4	3623-012C	3633-012C	1	4	610
1-1/2	3623-015C	3633-015C	1	4	610
2	3623-020C	3633-020C	1	0	610
2-1/2	3623-025C	3633-025C	1	0	611
3	3623-030C	3633-030C	1	0	611
4	3623-040C	3633-040C	1	0	611

True Union 2000 Industrial Retrofit Ball Valves - Replaces Other Brand Valves



Industrial Valve

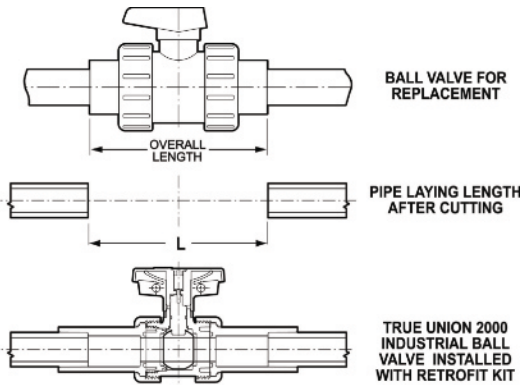
Complete universal replacement valve for domestic and import PVC or CPVC valve. See separate catalog listing for retrofit replacement of older Spears® valves.

Retrofit valve consists of Spears® Industrial True Union 2000 Ball Valve supplied with factory installed extended-socket end connectors. Simply cut out old valve to specified dimensions and install Retrofit Valve end connectors.

Pressure Rating @ 73°F (23°C), Water
1/2" - 4" = 235 psi

All Valves Assembled with Silicone-Free, Water Soluble Lubricant
Suitable for Vacuum Service

Retrofit End Connector Sets without valve are also available - See Ball Valve Accessories & Repair Kits



Size	1/2	3/4	1	1-1/4	1-1/2	2	2-1/2	3	4
L	4-29/32	5-7/16	6-3/32	7-1/4	7-1/2	8-17/32	10-3/4	11-7/16	14-15/16

PVC - Socket Ends

Size	EPDM	FKM	Std Pk	Mstr Pk	Prod Code
1/2	1822R-005	1832R-005	1	18	600
3/4	1822R-007	1832R-007	1	18	600
1	1822R-010	1832R-010	1	12	600
1-1/4	1822R-012	1832R-012	1	8	600
1-1/2	1822R-015	1832R-015	1	8	600
2	1822R-020	1832R-020	1	4	600
2-1/2	1822R-025	1832R-025	1	0	601
3	1822R-030	1832R-030	1	0	601

Suitable for Oil-Free air handling to 25 psi, not for distribution of compressed air or gas

JJ DOWNS INDUSTRIAL PLASTICS INC.

416.236.1884 Toronto, ON JJDOWN.COM



Valves Product
True Union 2000 Industrial Retrofit Ball Valves - Replaces Other Brand Valves &
True Union 2000 Industrial Retrofit Ball Valves - Replaces Spears® "Regular Style" Valves

True Union 2000 Industrial Retrofit Ball Valves - Replaces Other Brand Valves

PVC - Socket Ends (continued)

Size	EPDM	FKM	Std Pk	Mstr Pk	Prod Code
4	1822R-040	1832R-040	1	0	601

CPVC - Socket Ends

Size	EPDM	FKM	Std Pk	Mstr Pk	Prod Code
1/2	1822R-005C	1832R-005C	1	18	602
3/4	1822R-007C	1832R-007C	1	18	602
1	1822R-010C	1832R-010C	1	12	602
1-1/4	1822R-012C	1832R-012C	1	8	602
1-1/2	1822R-015C	1832R-015C	1	8	602
2	1822R-020C	1832R-020C	1	4	602
2-1/2	1822R-025C	1832R-025C	1	0	603
3	1822R-030C	1832R-030C	1	0	603
4	1822R-040C	1832R-040C	1	0	603

True Union 2000 Industrial Retrofit Ball Valves - Replaces Spears® "Regular Style" Valves



Industrial Valve

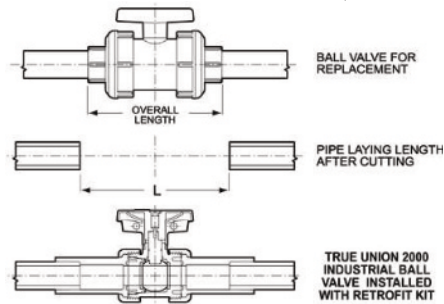
Complete replacement valve for older Spears® 2300 Series Regular True Union Ball Valves. See separate catalog listing for replacement of other brand valves.

Retrofit valve consists of Spears® Industrial True Union 2000 Ball Valve supplied with factory installed extended-socket end connectors. Simply cut out old valve to specified dimensions and install Retrofit Valve end connectors.

Pressure Rating @ 73°F (23°C), Water
 1/2" - 4" = 235 psi

All Valves Assembled with Silicone-Free, Water Soluble Lubricant
 Suitable for Vacuum Service

Retrofit End Connector Sets without valve are also available - See Ball Valve
 Accessories & Repair Kits



Size	1/2	3/4	1	1-1/4	1-1/2	2	2-1/2	3	4
L	5-5/16	6-1/4	6-11/16	7-1/8	8-3/16	8-15/16	12	12-1/16	13-3/16

Suitable for Oil-Free air handling to 25 psi, not for distribution of compressed air or gas

PVC - Socket Ends

Size	EPDM	FKM	Std Pk	Mstr Pk	Prod Code
1/2	1822RS-005	1832RS-005	1	18	600
3/4	1822RS-007	1832RS-007	1	12	600
1	1822RS-010	1832RS-010	1	12	600
1-1/4	1822RS-012	1832RS-012	1	8	600
1-1/2	1822RS-015	1832RS-015	1	8	600
2	1822RS-020	1832RS-020	1	4	600
2-1/2	1822RS-025	1832RS-025	1	0	601
3	1822RS-030	1832RS-030	1	0	601
4	1822RS-040	1832RS-040	1	0	601

CPVC - Socket Ends

Size	EPDM	FKM	Std Pk	Mstr Pk	Prod Code
1/2	1822RS-005C	1832RS-005C	1	18	602
3/4	1822RS-007C	1832RS-007C	1	18	602
1	1822RS-010C	1832RS-010C	1	12	602
1-1/4	1822RS-012C	1832RS-012C	1	8	602
1-1/2	1822RS-015C	1832RS-015C	1	8	602
2	1822RS-020C	1832RS-020C	1	4	602
2-1/2	1822RS-025C	1832RS-025C	1	0	603
3	1822RS-030C	1832RS-030C	1	0	603
4	1822RS-040C	1832RS-040C	1	0	603

JJ DOWNS INDUSTRIAL PLASTICS INC.

416.236.1884 Toronto, ON JJDOWNNS.COM



Valves Product

True Union 2000 Standard Retrofit Ball Valves - Replaces Other Brand Valves & True Union 2000 Standard Retrofit Ball Valves - Replaces Spears® "Regular Style" Valves

True Union 2000 Standard Retrofit Ball Valves - Replaces Other Brand Valves



Standard Valve

Complete universal replacement valve for domestic and import PVC or CPVC valve. See separate catalog listing for retrofit replacement of older Spears® valves.

Retrofit valve consists of Spears® Standard True Union 2000 Ball Valve supplied with factory installed extended-socket end connectors. Simply cut out old valve to specified dimensions and install Retrofit Valve end connectors.

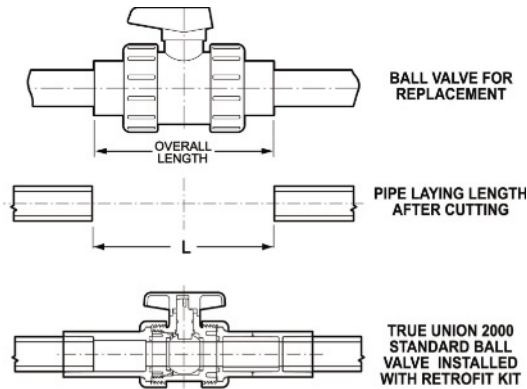
Pressure Rating @ 73°F (23°C), Water

1/2" - 2" 235 psi

2-1/2" - 4" 150 psi

All Valves Assembled with Silicone-Free, Water Soluble Lubricant Suitable for Vacuum Service

Retrofit End Connector Sets without valve are also available - See Ball Valve Accessories & Repair Kits



Size	1/2	3/4	1	1-1/4	1-1/2	2	2-1/2	3	4
L	4-29/32	5-7/16	6-3/32	7-1/4	7-1/2	8-17/32	10-3/4	11-7/16	14-15/16

PVC - Socket Ends

Size	EPDM	FKM	Std Pk	Mstr Pk	Prod Code
1/2	3622R-005	3632R-005	1	18	608
3/4	3622R-007	3632R-007	1	12	608
1	3622R-010	3632R-010	1	8	608
1-1/4	3622R-012	3632R-012	1	8	608
1-1/2	3622R-015	3632R-015	1	8	608
2	3622R-020	3632R-020	1	4	608
2-1/2	3622R-025	3632R-025	1	0	609
3	3622R-030	3632R-030	1	0	609
4	3622R-040	3632R-040	1	0	609

CPVC - Socket Ends

Size	EPDM	FKM	Std Pk	Mstr Pk	Prod Code
1/2	3622R-005C	3632R-005C	1	18	610
3/4	3622R-007C	3632R-007C	1	12	610
1	3622R-010C	3632R-010C	1	8	610
1-1/4	3622R-012C	3632R-012C	1	8	610

CPVC - Socket Ends (continued)

Size	EPDM	FKM	Std Pk	Mstr Pk	Prod Code
1-1/2	3622R-015C	3632R-015C	1	8	610
2	3622R-020C	3632R-020C	1	4	610
2-1/2	3622R-025C	3632R-025C	1	0	611
3	3622R-030C	3632R-030C	1	0	611
4	3622R-040C	3632R-040C	1	0	611

True Union 2000 Standard Retrofit Ball Valves - Replaces Spears® "Regular Style" Valves



Standard Valve

Complete replacement valve for older Spears® 2300 Series Regular True Union Ball Valves. See separate catalog listing for replacement of other brand valves.

Retrofit valve consists of Spears® Standard True Union 2000 Ball Valve supplied with factory installed extended-socket end connectors. Simply cut out old valve to specified dimensions and install Retrofit Valve end connectors.

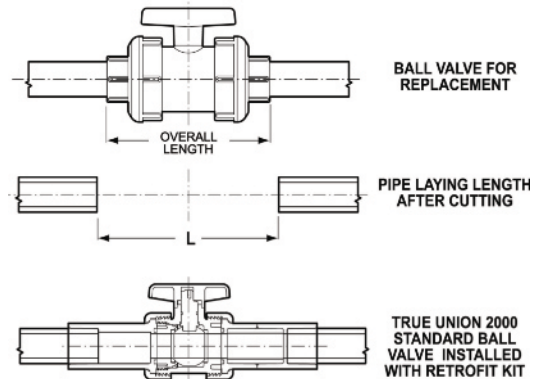
Pressure Rating @ 73°F (23°C), Water

1/2" - 2" 235 psi

2-1/2" - 4" 150 psi

All Valves Assembled with Silicone-Free, Water Soluble Lubricant Suitable for Vacuum Service

Retrofit End Connector Sets without valve are also available - See Ball Valve Accessories & Repair Kits



Size	1/2	3/4	1	1-1/4	1-1/2	2	2-1/2	3	4
L	4-29/32	5-7/16	6-3/32	7-1/4	7-1/2	8-17/32	10-3/4	11-7/16	14-15/16

PVC - Socket Ends

Size	EPDM	FKM	Std Pk	Mstr Pk	Prod Code
1/2	3622RS-005	3632RS-005	1	18	608
3/4	3622RS-007	3632RS-007	1	18	608
1	3622RS-010	3632RS-010	1	12	608
1-1/4	3622RS-012	3632RS-012	1	8	608
1-1/2	3622RS-015	3632RS-015	1	8	608
2	3622RS-020	3632RS-020	1	4	608

Suitable for Oil-Free air handling to 25 psi, not for distribution of compressed air or gas

international association of plastics distributors

JJ DOWNS INDUSTRIAL PLASTICS INC.

416.236.1884 Toronto, ON JJDOWN.COM



Valves Product
True Union 2000 Standard Retrofit Ball Valves - Replaces Spears® "Regular Style" Valves & True Union Ball Valves (Regular Style)

True Union 2000 Standard Retrofit Ball Valves - Replaces Spears® "Regular Style" Valves

PVC - Socket Ends (continued)

Size	EPDM	FKM	Std Pk	Mstr Pk	Prod Code
2-1/2	3622RS-025	3632RS-025	1	0	609
3	3622RS-030	3632RS-030	1	0	609
4	3622RS-040	3632RS-040	1	0	609

CPVC - Socket Ends

Size	EPDM	FKM	Std Pk	Mstr Pk	Prod Code
1/2	3622RS-005C	3632RS-005C	1	18	610
3/4	3622RS-007C	3632RS-007C	1	18	610
1	3622RS-010C	3632RS-010C	1	12	610
1-1/4	3622RS-012C	3632RS-012C	1	8	610
1-1/2	3622RS-015C	3632RS-015C	1	8	610
2	3622RS-020C	3632RS-020C	1	4	610
2-1/2	3622RS-025C	3632RS-025C	1	0	611
3	3622RS-030C	3632RS-030C	1	0	611
4	3622RS-040C	3632RS-040C	1	0	611

True Union Ball Valves (Regular Style)



Socket/Threaded Style



Flanged Style

Pressure Rating @ 73°F (23°C), Water
 1/2" - 2" 235 psi
 2-1/2" - 6" 150 psi
 Flanged 150 psi

Maximum Service Temperature
 PVC = 140°F (60°C)
 CPVC = 200°F (93°C)
 Temperature/Pressure De-ratings Apply

Rated for Vacuum Service

All Valves assembled with Silicone-Free, Water Soluble Lubricant.

6" Venturied Valves are 4" Ball Valves equipped with 4x6 End Connectors.

PVC

Size	EPDM	FKM	Std Pk	Mstr Pk	Prod Code
1/2	2329-005	2339-005	1	18	230

Socket & Threaded Ends

PVC (continued)

Size	EPDM	FKM	Std Pk	Mstr Pk	Prod Code
------	------	-----	--------	---------	-----------

Socket & Threaded Ends

3/4	2329-007	2339-007	1	12	230
1	2329-010	2339-010	1	8	230
1-1/4	2329-012	2339-012	1	8	230
1-1/2	2329-015	2339-015	1	8	230
2	2329-020	2339-020	1	4	230

Socket Ends

2-1/2	2322-025	2332-025	1	0	230
3	2322-030	2332-030	1	0	230
4	2322-040	2332-040	1	0	230

Socket Venturied Ends

6 VENTURIED	2322-060	2332-060	1	0	231
-------------	----------	----------	---	---	-----

Threaded Ends

2-1/2	2321-025	2331-025	1	0	230
3	2321-030	2331-030	1	0	230
4	2321-040	2331-040	1	0	230

Flanged Ends

1/2	2323-005	2333-005	6	0	230
3/4	2323-007	2333-007	5	0	230
1	2323-010	2333-010	5	0	230
1-1/4	2323-012	2333-012	2	0	230
1-1/2	2323-015	2333-015	3	0	230
2	2323-020	2333-020	2	0	230
2-1/2	2323-025	2333-025	1	0	230
3	2323-030	2333-030	1	0	230
4	2323-040	2333-040	1	0	230

Flanged Venturied Ends

6 VENTURIED	2323-060	2333-060	1	0	231
-------------	----------	----------	---	---	-----

CPVC

Size	EPDM	FKM	Std Pk	Mstr Pk	Prod Code
------	------	-----	--------	---------	-----------

Socket & Threaded Ends

Threaded End Connectors available on request

1/2	2329-005C	2339-005C	1	18	232
3/4	2329-007C	2339-007C	1	12	232
1	2329-010C	2339-010C	1	8	232
1-1/4	2329-012C	2339-012C	1	8	232
1-1/2	2329-015C	2339-015C	1	8	232
2	2329-020C	2339-020C	1	4	232

Socket Ends

2-1/2	2322-025C	2332-025C	1	0	232
3	2322-030C	2332-030C	1	0	232
4	2322-040C	2332-040C	1	0	232

Socket Venturied Ends

6 VENTURIED	2322-060C	2332-060C	1	0	233
-------------	-----------	-----------	---	---	-----

Threaded Ends

2-1/2	2321-025C	2331-025C	1	0	232
3	2321-030C	2331-030C	1	0	232
4	2321-040C	2331-040C	1	0	232

Flanged Ends

1/2	2323-005C	2333-005C	6	0	232
3/4	2323-007C	2333-007C	5	0	232

Suitable for Oil-Free air handling to 25 psi, not for distribution of compressed air or gas

JJ DOWNS INDUSTRIAL PLASTICS INC.

member
iapd
international association
of plastics distribution

416.236.1884 Toronto, ON JJDOWN.COM



Valves Product
True Union Ball Valves (Regular Style) & Single Entry Ball Valves
& Compact 2000 Ball Valves

True Union Ball Valves (Regular Style)

CPVC (continued)

Size	EPDM	FKM	Std Pk	Mstr Pk	Prod Code
Flanged Ends					
1	2323-010C	2333-010C	5	0	232
1-1/4	2323-012C	2333-012C	2	0	232
1-1/2	2323-015C	2333-015C	3	0	232
2	2323-020C	2333-020C	2	0	232
2-1/2	2323-025C	2333-025C	1	0	232
3	2323-030C	2333-030C	1	0	232
4	2323-040C	2333-040C	1	0	232

Flanged Venturied Ends

6 VENTURIED	2323-060C	2333-060C	1	0	233
-------------	-----------	-----------	---	---	-----

Single Entry Ball Valves



PVC White – Socket/Threaded Style PVC Gray – Socket/Threaded Style

Pressure Rating @ 73°F (23°C), Water
 1/2" - 2" 235 psi
 3" - 4" 150 psi

Maximum Service Temperature
 PVC = 140°F (60°C)

Temperature/Pressure De-ratings Apply

Rated for Vacuum Service

All Valves Assembled with Silicone-Free, Water Soluble Lubricant. See Ball Valve Accessories & Repair Kits Section for Additional Options and Features

PVC White

Size	Buna-N	EPDM	FKM	Std Pk	Mstr Pk	Prod Code
Threaded Ends						
1/2	2411-005W	2421-005W	2431-005W	10	120	240
3/4	2411-007W	2421-007W	2431-007W	10	80	240
1	2411-010W	2421-010W	2431-010W	10	0	240
1-1/4	2411-012W	2421-012W	2431-012W	6	0	240
1-1/2	2411-015W	2421-015W	2431-015W	5	0	240
2	2411-020W	2421-020W	2431-020W	5	0	240
3	2411-030W	2421-030W	2431-030W	1	0	240
4	2411-040W	2421-040W	2431-040W	1	0	240

Socket Ends

1/2	2412-005W	2422-005W	2432-005W	10	120	240
3/4	2412-007W	2422-007W	2432-007W	10	80	240

PVC White (continued)

Size	Buna-N	EPDM	FKM	Std Pk	Mstr Pk	Prod Code
Socket Ends						
1	2412-010W	2422-010W	2432-010W	10	0	240
1-1/4	2412-012W	2422-012W	2432-012W	6	0	240
1-1/2	2412-015W	2422-015W	2432-015W	5	0	240
2	2412-020W	2422-020W	2432-020W	5	0	240
3	2412-030W	2422-030W	2432-030W	1	0	240
4	2412-040W	2422-040W	2432-040W	1	0	240

PVC Gray

Size	Buna-N	EPDM	FKM	Std Pk	Mstr Pk	Prod Code
Threaded Ends						
1/2	2411-005G	2421-005G	2431-005G	10	120	240
3/4	2411-007G	2421-007G	2431-007G	10	80	240
1	2411-010G	2421-010G	2431-010G	10	0	240
1-1/4	2411-012G	2421-012G	2431-012G	6	0	240
1-1/2	2411-015G	2421-015G	2431-015G	5	0	240
2	2411-020G	2421-020G	2431-020G	5	0	240
3	2411-030G	2421-030G	2431-030G	1	0	240
4	2411-040G	2421-040G	2431-040G	1	0	240

Socket Ends

1/2	2412-005G	2422-005G	2432-005G	10	120	240
3/4	2412-007G	2422-007G	2432-007G	10	80	240
1	2412-010G	2422-010G	2432-010G	10	0	240
1-1/4	2412-012G	2422-012G	2432-012G	5	0	240
1-1/2	2412-015G	2422-015G	2432-015G	5	0	240
2	2412-020G	2422-020G	2432-020G	5	0	240
3	2412-030G	2422-030G	2432-030G	1	0	240
4	2412-040G	2422-040G	2432-040G	1	0	240

Compact 2000 Ball Valves



Pressure Rating @ 73°F (23°C), Water
 1/2" - 2" 235 psi
 Flanged 150 psi

Maximum Service Temperature
 PVC = 140°F (60°C)
 CPVC = 200°F (93°C)
 Temperature/Pressure De-ratings Apply

All Valves Assembled with Silicone-Free, Water Soluble Lubricants. Rated for Vacuum Service

Compact 2000 Ball Valves are a Maintenance-Free, Sealed Unit (non-repairable).

See Ball Valve Accessories & Repair Kits Section for Additional Options and Features.

PVC 2000 Compact Ball Valve

Size	EPDM	FKM	Std Pk	Mstr Pk	Prod Code
Socket Ends					
1/2	6622-005	6632-005	10	120	210
3/4	6622-007	6632-007	10	80	210

Suitable for Oil-Free air handling to 25 psi, not for distribution of compressed air or gas

JJ DOWNS INDUSTRIAL PLASTICS INC.

416.236.1884 Toronto, ON JJDOWN.COM



Valves Product
Compact 2000 Ball Valves & Compact Ball Valves (Regular Style)

Compact 2000 Ball Valves

PVC 2000 Compact Ball Valve (continued)

Size	EPDM	FKM	Std Pk	Mstr Pk	Prod Code
Socket Ends					
1	6622-010	6632-010	10	0	210
1-1/4	6622-012	6632-012	6	0	210
1-1/2	6622-015	6632-015	5	0	210
2	6622-020	6632-020	8	0	210

Threaded Ends

1/2	6621-005	6631-005	10	120	210
3/4	6621-007	6631-007	10	80	210
1	6621-010	6631-010	10	0	210
1-1/4	6621-012	6631-012	6	0	210
1-1/2	6621-015	6631-015	5	0	210
2	6621-020	6631-020	8	0	210

Flanged Ends

1/2	6623-005	6633-005	10	0	210
3/4	6623-007	6633-007	10	120	210
1	6623-010	6633-010	10	0	210
1-1/4	6623-012	6633-012	10	0	210
1-1/2	6623-015	6633-015	1	4	210
2	6623-020	6633-020	1	0	210

CPVC 2000 Compact Ball Valve

Size	EPDM	FKM	Std Pk	Mstr Pk	Prod Code
Socket Ends					
1/2	6622-005C	6632-005C	10	120	212
3/4	6622-007C	6632-007C	10	80	212
1	6622-010C	6632-010C	10	0	212
1-1/4	6622-012C	6632-012C	6	0	212
1-1/2	6622-015C	6632-015C	5	0	212
2	6622-020C	6632-020C	8	0	212

Threaded Ends

1/2	6621-005C	6631-005C	10	120	212
3/4	6621-007C	6631-007C	10	80	212
1	6621-010C	6631-010C	10	0	212
1-1/4	6621-012C	6631-012C	6	0	212
1-1/2	6621-015C	6631-015C	5	0	212
2	6621-020C	6631-020C	8	0	212

Flanged Ends

1/2	6623-005C	6633-005C	1	0	212
3/4	6623-007C	6633-007C	1	0	212
1	6623-010C	6633-010C	1	8	212
1-1/4	6623-012C	6633-012C	1	0	212
1-1/2	6623-015C	6633-015C	1	4	212
2	6623-020C	6633-020C	1	0	212

Compact Ball Valves (Regular Style)



Pressure Rating @ 73°F (23°C), Water
 1/2" - 2" 235 psi
 3" - 6" 150 psi
 Flanged 150 psi

Maximum Service Temperature
 PVC = 140°F (60°C)
 CPVC = 200°F (93°C)

Temperature/Pressure De-ratings Apply
 Rated for Vacuum Service

Socket/Threaded Style

All Valves Assembled with Silicone-Free, Water Soluble Lubricants.

See Ball Valve Accessories & Repair Kits Section for Additional Options and Features

Note: Standard 6" Valve uses Lever-Style Handle for proper leverage.

T-Handle option is more compact but will increase difficulty of operation.

PVC

Size	EPDM	FKM	Std Pk	Mstr Pk	Prod Code
Socket Ends					
1/2	2122-005	2132-005	10	80	210
3/4	2122-007	2132-007	10	0	210
1	2122-010	2132-010	10	0	210
1-1/4	2122-012	2132-012	6	0	210
1-1/2	2122-015	2132-015	5	0	210
2	2122-020	2132-020	6	0	210
3	2122-030	2132-030	1	4	211
4	2122-040	2132-040	1	0	211
6 (Lever Handle)	2122-060	2132-060	1	0	211
6 (Tee Handle)	21226-060	21326-060	1	0	211

Threaded Ends

1/2	2121-005	2131-005	10	80	210
3/4	2121-007	2131-007	10	0	210
1	2121-010	2131-010	10	0	210
1-1/4	2121-012	2131-012	6	0	210
1-1/2	2121-015	2131-015	5	0	210
2	2121-020	2131-020	6	0	210
3	2121-030	2131-030	1	4	211
4	2121-040	2131-040	1	0	211

Flanged Ends

1/2	2123-005	2133-005	1	8	210
3/4	2123-007	2133-007	1	8	210
1	2123-010	2133-010	1	8	210
1-1/4	2123-012	2133-012	1	8	210
1-1/2	2123-015	2133-015	1	4	210
2	2123-020	2133-020	1	0	210

Suitable for Oil-Free air handling to 25 psi, not for distribution of compressed air or gas

JJ DOWNS INDUSTRIAL PLASTICS INC.

416.236.1884
Toronto, ON
JJDOWNS.COM



Valves Product
Compact Ball Valves (Regular Style) & Lab Ball Valves

Compact Ball Valves (Regular Style)

PVC (continued)

Size	EPDM	FKM	Std Pk	Mstr Pk	Prod Code
Flanged Ends					
3	2123-030	2133-030	1	0	211
4	2123-040	2133-040	1	0	211
6 (Lever Handle)	2123-060	2133-060	1	0	211
6 (Tee Handle)	21236-060	21336-060	1	0	211

CPVC

Size	EPDM	FKM	Std Pk	Mstr Pk	Prod Code
Socket Ends					
1/2	2122-005C	2132-005C	10	80	212
3/4	2122-007C	2132-007C	10	0	212
1	2122-010C	2132-010C	10	0	212
1-1/4	2122-012C	2132-012C	6	0	212
1-1/2	2122-015C	2132-015C	5	0	212
2	2122-020C	2132-020C	6	0	212
3	2122-030C	2132-030C	1	4	213
4	2122-040C	2132-040C	1	0	213
6 (Lever Handle)	2122-060C	2132-060C	1	0	213
6 (Tee Handle)	21226-060C	21326-060C	1	0	213

Threaded Ends

1/2	2121-005C	2131-005C	10	80	212
3/4	2121-007C	2131-007C	10	0	212
1	2121-010C	2131-010C	10	0	212
1-1/4	2121-012C	2131-012C	6	0	212
1-1/2	2121-015C	2131-015C	5	0	212
2	2121-020C	2131-020C	6	0	212
3	2121-030C	2131-030C	1	4	213
4	2121-040C	2131-040C	1	0	213

Flanged Ends

1/2	2123-005C	2133-005C	1	8	212
3/4	2123-007C	2133-007C	1	8	212
1	2123-010C	2133-010C	1	8	212
1-1/4	2123-012C	2133-012C	1	8	212
1-1/2	2123-015C	2133-015C	1	4	212
2	2123-020C	2133-020C	1	0	212
3	2123-030C	2133-030C	1	0	213
4	2123-040C	2133-040C	1	0	213
6 (Lever Handle)	2123-060C	2133-060C	1	0	213
6 (Tee Handle)	21236-060C	21336-060C	1	0	213

Lab Ball Valves



Socket/Threaded Valve Only



Valve & Adapters

Pressure Rating @ 73°F (23°C),
 Water
 1/8" - 3/8" 150 psi
 Maximum Service Temperature
 PVC = 140°F (60°C)
 CPVC = 200°F (93°C)

Temperature/Pressure De-ratings
 Apply

Rated for Vacuum Service

Valve & Adapters includes:

- 1 - Threaded 1/4" Valve
- 2 - O-ring Sealed 1/4" MPT x Mipt Adapters
- 2 - EPDM or FKM O-rings (AS568-013 size)
- 1 - End Connector Wrench
- 2 - O-ring Sealed 1/4" MPT x 3/8" I.D. Tubing Barb Adapters
- OR -
- 2 - O-ring Sealed 1/4" MPT x 1/4" I.D. Tubing Barb Adapters

Lab Valve - PVC

Size	EPDM	FKM	Std Pk	Mstr Pk	Prod Code
Valve & Adapters Threaded Ends					
1/4X1/4T	1529-002A	1539-002A	1	25	218
1/4X3/8T	1529-002	1539-002	1	25	218

Valve only Threaded Ends

1/4	1521-002	1531-002	50	200	218
3/8	1521-003	1531-003	50	200	218

Valve Only Female x Male Thread Ends

1/8	152FM-001	153FM-001	25	200	218
1/4	152FM-002	153FM-002	25	200	218

Valve only Socket Ends

1/4	1522-002		50	200	218
3/8	1522-003		50	200	218

Lab Valve - CPVC

Size	EPDM	FKM	Std Pk	Mstr Pk	Prod Code
Valve & Adapters Threaded Ends					
1/4X1/4T	1529-002CA	1539-002CA	1	25	219
1/4X3/8T	1529-002C	1539-002C	1	25	219

Valve only Threaded Ends

1/4	1521-002C	1531-002C	50	200	219
3/8	1521-003C	1531-003C	50	200	219

Suitable for Oil-Free air handling to 25 psi, not for distribution of compressed air or gas

JJ DOWNS INDUSTRIAL PLASTICS INC.

International association of plastics distribution

416.236.1884
Toronto, ON
JJDOWNS.COM



Valves Product
Lab Ball Valves & Utility Ball Valves & CWV Ball Valves

Lab Ball Valves

Lab Valve - CPVC

Size	EPDM	FKM	Std Pk	Mstr Pk	Prod Code
Valve Only Female x Male Thread Ends					
1/8	152FM-001C		25	200	219
1/4	152FM-002C		25	200	219
Valve only Socket Ends					
1/4	1522-002C	1532-002C	50	200	219
3/8	1522-003C	1532-003C	50	200	219



Pressure Rating @ 73°F (23°C), Water
 1/2" - 6" 150 psi
 Maximum Service Temperature
 PVC = 140°F (60°C)
 CPVC = 200°F (93°C)
 Temperature/Pressure De-ratings Apply
 All Valves Assembled with Silicone-Free, Water Soluble Lubricant
Note: Standard 6" Valve uses Lever-Style Handle for proper leverage.

Utility Ball Valves

CPVC w/EPDM O-ring Seal (continued)

Size	Threaded Ends	Socket Ends	Std Pk	Mstr Pk	Prod Code
CPVC					
3/4	2621-007C	2622-007C	25	0	216
1	2621-010C	2622-010C	25	0	216
1-1/4	2621-012C	2622-012C	20	0	216
1-1/2	2621-015C	2622-015C	20	0	216
2	2621-020C	2622-020C	8	0	216
2-1/2		2622-025C	6	0	216
3		2622-030C	1	4	216

CWV Ball Valves



**A Combination of Economy & Quality
 - Made in the U.S.A.
 For Greater Value in a General
 Purpose Cold Water Valve**
 Pressure Rating @ 73°F (23°C), Water
 150 psi

PVC w/EPDM O-ring Seal

Size	Threaded Ends	Socket Ends	Std Pk	Mstr Pk	Prod Code
PVC White					
1/2	2621-005	2622-005	50	0	215
3/4	2621-007	2622-007	25	0	215
1	2621-010	2622-010	25	0	215
1-1/4	2621-012	2622-012	20	0	215
1-1/2	2621-015	2622-015	20	0	215
2	2621-020	2622-020	8	0	215
2-1/2	2621-025	2622-025	6	0	214
3	2621-030	2622-030	1	4	214
4	2621-040	2622-040	1	0	214
6 (Lever Handle)		2622-060	1	0	214
PVC Gray					
1/2	2621-005G	2622-005G	50	0	215
3/4	2621-007G	2622-007G	25	0	215
1	2621-010G	2622-010G	25	0	215
1-1/4	2621-012G	2622-012G	20	0	215
1-1/2	2621-015G	2622-015G	20	0	215
2	2621-020G	2622-020G	8	0	215
2-1/2	2621-025G	2622-025G	6	0	214
3	2621-030G	2622-030G	1	4	214
4	2621-040G	2622-040G	1	0	214
6		2622-060G	1	0	214

CPVC w/EPDM O-ring Seal

Size	Threaded Ends	Socket Ends	Std Pk	Mstr Pk	Prod Code
CPVC					
1/2	2621-005C	2622-005C	50	0	216

You don't have to go overseas to find an economical general purpose ball valve! Spears® CWV BALL VALVES are produced in the U.S.A. with Spears® high quality construction and NSF® Certified for potable water service. Designed for use with cold water, these PVC valves may be suitable for some applications previously handled by Spears® Utility Valves. Available in IPS sizes 1/2" through 4" with a Full 1-Year Warranty.

CWV PVC Ball Valve

Part Number	Size	Std Pk	Mstr Ctn	Prod Code
Threaded Ends				
8721-005	1/2	50	0	204
8721-007	3/4	25	0	204
8721-010	1	25	0	204
8721-012	1-1/4	20	0	204
8721-015	1-1/2	20	0	204
8721-020	2	10	0	204

CWV PVC Ball Valve

Part Number	Size	Std Pk	Mstr Ctn	Prod Code
Socket Ends				
8722-005	1/2	50	0	204
8722-007	3/4	25	0	204
8722-010	1	25	0	204
8722-012	1-1/4	20	0	204
8722-015	1-1/2	20	0	204
8722-020	2	10	0	204

Suitable for Oil-Free air handling to 25 psi, not for distribution of compressed air or gas

JJ DOWNS INDUSTRIAL PLASTICS INC.

416.236.1884 Toronto, ON JJDOWNNS.COM



Valves Product
Swing Check Ball Valves & CTS Valves and Stops

Swing Check Ball Valves



- One-piece Combination for Applications Requiring In-line Ball Valve and Check Valves
- Compact, Space-Saving Design
- True Union Design Allows Easy Service and Cleaning
- High Grade EPDM Seals
- Replaceable PTFE HDPE Ball Valve Seats
- Safety-Blocked™ Seal Carrier on Ball Valve
- Replaceable Sealed Check Valve Cartridge
- Suitable for Horizontal or Vertical Up-flow Installations
- Socket End Connections

Pressure Rating @ 73°F (23°C), Water
Full Flow (open) 150 psi
Back Pressure (closed) 75 psi

Maximum Service Temperature
140°F (60°C)

Temperature/Pressure De-ratings Apply

General Installation Information:

Swing Check Ball Valves are designed for horizontal installations, but may be installed in an up-flow only vertical position. The Check Valve portion **MUST** be installed with the valve's FLOW arrow pointing in the direction of flow and with the designated side up in horizontal installations. Do Not install Check Valve upside down. The Ball Valve portion may be rotated and installed in any position. Flow velocity should not exceed 5 ft./sec. Minimum opening pressure is less than 0.5 psi.

PVC Swing Check Ball Valve

Part Number	Size	Std Pk	Mstr Ctn	Prod Code
Socket x Socket				
7622-015	1-1/2	10	0	026
7622-020	2	6	0	026

CTS Valves and Stops

All Spears® CTS valve and stops are certified Lead-Free and listed for potable water service by NSF International. Spears® offers a wide variety of EverTUFF® CTS Valves and Supply Stops for system flow control that are pressure rated to 100 psi @ 180°F. These include economical Residential or full port Commercial CTS Ball Valves for quarter turn shutoff throughout the system. CTS 1/4-turn Angle and Straight Supply Stop valves designed for connection to flexible supply lines serve to connect faucets, toilets and other fixtures.

Ball Valve - Commercial CTS

Socket with EPDM O-ring Seal

100 psi Maximum Internal Pressure @ 180°F (82°C)
NSF® Certified Lead Free

1922-005	1/2	25	200	217
----------	-----	----	-----	-----



Part Number	Size	Std Pk	Mstr Ctn	Prod Code
-------------	------	--------	----------	-----------

Ball Valve - Commercial CTS (continued)
Socket with EPDM O-ring Seal

1922-007	3/4	24	0	217
1922-010	1	25	0	217
1922-012	1-1/4	8	0	217
1922-015	1-1/2	6	0	217
1922-020	2	4	0	217

Ball Valve - Residential CTS

Socket x Socket

100 psi Maximum Internal Pressure @ 180°F (82°C)
NSF® Certified Lead Free

1922R-005	1/2	72	0	217
1922R-007	3/4	36	0	217
1922R-010	1	24	0	217
1922R-012	1-1/4	8	32	217
1922R-015	1-1/2	6	0	217
1922R-020	2	4	16	217



Quarter Turn Angle Supply Stop

Socket x NPT

100 psi @ 180°F (82°C)

Male Thread for Connection to Flexible Supply Line having 1/2" Female NPT Thread Inlet - NSF® Certified Lead Free

7722-005	1/2	50	400	217
7722-073	1/2X3/8	50	400	217



Quarter Turn Angle Supply Stop

SR Fipt x NPT

100 psi @ 180°F (82°C)

Male Thread for Connection to Flexible Supply Line having 1/2" Female NPT Thread Inlet - NSF® Certified Lead Free

7721-005SR	1/2	50	400	217
7721-073SR	1/2X3/8	50	400	217



Quarter Turn Angle Supply Stop

Socket x Comp Thread

100 psi @ 180°F (82°C)

Male Thread for Connection to Flexible Supply Line having 1/4", 3/8" or 1/2" Female Compression Thread Inlet - NSF® Certified Lead Free

7722CM-072	1/2X1/4	72	0	217
7722CM-073	1/2X3/8	72	0	217
7722-005	1/2	50	400	217



Suitable for Oil-Free air handling to 25 psi, not for distribution of compressed air or gas

JJ DOWNS INDUSTRIAL PLASTICS INC.

416.236.1884
Toronto, ON
JJDOWNS.COM



Valves Product
CTS Valves and Stops & Ball Valve Accessories

CTS Valves and Stops

Part Number	Size	Std Pk	Mstr Ctn	Prod Code
-------------	------	--------	----------	-----------

Quarter Turn Straight Supply Stop

Socket x Comp Thread

100 psi @ 180°F (82°C)
Male Thread for Connection to Flexible Supply Line having Female 3/8" or 1/2" Compression Thread Inlet - NSF® Certified Lead Free

7422CM-073	1/2X3/8	72	0	217
7422CM-005	1/2	72	0	217



Quarter Turn Straight Supply Stop

Socket x NPT

100 psi @ 180°F (82°C)
Male Thread for Connection to Flexible Supply Line having Female 1/2" NPT Thread Inlet - NSF® Certified Lead Free

7422-005	1/2	72	0	217
----------	-----	----	---	-----



Quarter Turn Straight Valve

Socket x Mipt

NSF® Certified Lead Free

CSV-0500-12T	1/2X1/2	72	0	17R
--------------	---------	----	---	-----



Stop Valve - Red Handle

Socket x Socket

NSF® Certified Lead Free

8422-005	1/2	36	0	217
8422-007	3/4	36	0	217



Stop Valve - Clear Handle

Socket x Socket

NSF® Certified Lead Free

8422CH-005	1/2	36	0	217
8422CH-007	3/4	36	0	217



Stop & Waste Valve

Socket x Socket

NSF® Certified Lead Free

8422W-005	1/2	36	0	217
8422W-007	3/4	36	0	217



Part Number	Size	Std Pk	Mstr Ctn	Prod Code
-------------	------	--------	----------	-----------

Boiler Drain Valve

Socket x MHT

NSF® Certified Lead Free

82MH-005	1/2	36	0	217
82MH-007	3/4	36	0	217

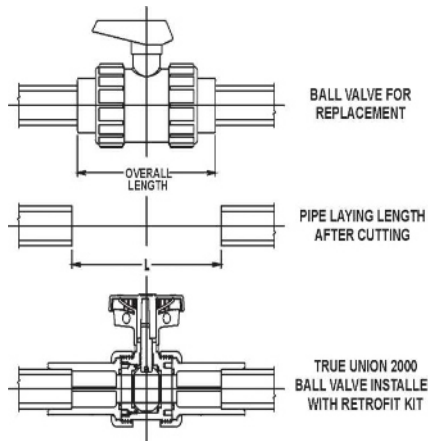


Ball Valve Accessories

Retrofit End Connector Sets (Socket Style Only)

Special extended Socket end connectors allow in-line replacement of other brand valves with Spears® True Union 2000 Ball Valves, 3-Way Ball Valves, and True Union 2000 Ball Check Valves.
Kit includes 2 Extended End Connectors with O-rings

Retrofit Kit For Other Brand Valves



Size	1/2	3/4	1	1-1/4	1-1/2	2	2-1/2	3	4
L	4-29/32	5-7/16	6-3/32	7-1/4	7-1/2	8-17/32	10-3/4	11-7/16	14-15/16

True Union Retrofit Kits - Other Brand Valves (Socket Style Only) PVC

Size	EPDM	FKM	Std Pk	Mstr Pk	Prod Code
1/2	RFK2-005	RFK3-005	1	25	299
3/4	RFK2-007	RFK3-007	1	25	299

Suitable for Oil-Free air handling to 25 psi, not for distribution of compressed air or gas

JJ DOWNS INDUSTRIAL PLASTICS INC.

member
international association
of plastics distribution

416.236.1884 Toronto, ON JJDOWN.COM



Valves Product
Ball Valve Accessories

Ball Valve Accessories

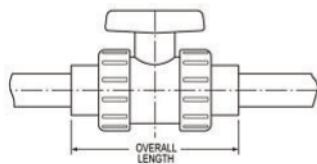
True Union Retrofit Kits - Other Brand Valves (Socket Style Only) PVC (continued)

Size	EPDM	FKM	Std Pk	Mstr Pk	Prod Code
1	RFK2-010	RFK3-010	1	25	299
1-1/4	RFK2-012	RFK3-012	1	10	299
1-1/2	RFK2-015	RFK3-015	1	10	299
2	RFK2-020	RFK3-020	1	10	299
2-1/2	RFK2-025	RFK3-025	1	5	299
3	RFK2-030	RFK3-030	1	5	299
4	RFK2-040	RFK3-040	1	4	299

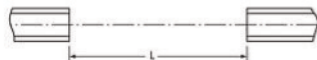
True Union Retrofit Kits - Other Brand Valves (Socket Style Only) CPVC

Size	EPDM	FKM	Std Pk	Mstr Pk	Prod Code
1/2	RFK2-005C	RFK3-005C	1	25	299
3/4	RFK2-007C	RFK3-007C	1	25	299
1	RFK2-010C	RFK3-010C	1	25	299
1-1/4	RFK2-012C	RFK3-012C	1	10	299
1-1/2	RFK2-015C	RFK3-015C	1	10	299
2	RFK2-020C	RFK3-020C	1	10	299
2-1/2	RFK2-025C	RFK3-025C	1	5	299
3	RFK2-030C	RFK3-030C	1	5	299
4	RFK2-040C	RFK3-040C	1	4	299

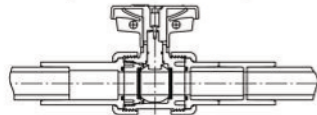
Retrofit Kit For Older "Regular Style" Spears® Valves



BALL VALVE FOR REPLACEMENT



PIPE LAYING LENGTH AFTER CUTTING



TRUE UNION BALL VALVE INSTALLED WITH RETROFIT KIT

Size	1/2	3/4	1	1-1/4	1-1/2	2	2-1/2	3	4
L	5-5/16	6-1/4	6-11/16	7-1/8	8-3/16	8-15/16	12	12-1/16	13-3/16

True Union Retrofit Kits - Older "Regular Style" Spears® Valves (Socket Style Only) PVC

Size	EPDM	FKM	Std Pk	Mstr Pk	Prod Code
1/2	RFKS2-005	RFKS3-005	1	10	299
3/4	RFKS2-007	RFKS3-007	1	10	299
1	RFKS2-010	RFKS3-010	1	10	299
1-1/4	RFKS2-012	RFKS3-012	1	10	299
1-1/2	RFKS2-015	RFKS3-015	1	10	299

True Union Retrofit Kits - Older "Regular Style" Spears® Valves (Socket Style Only) PVC (continued)

Size	EPDM	FKM	Std Pk	Mstr Pk	Prod Code
2	RFKS2-020	RFKS3-020	1	5	299
2-1/2	RFKS2-025	RFKS3-025	1	5	299
3	RFKS2-030	RFKS3-030	1	5	299
4	RFKS2-040	RFKS3-040	1	2	299

True Union Retrofit Kits - Older "Regular Style" Spears® Valves (Socket Style Only) CPVC

Size	EPDM	FKM	Std Pk	Mstr Pk	Prod Code
1/2	RFKS2-005C	RFKS3-005C	1	10	299
3/4	RFKS2-007C	RFKS3-007C	1	10	299
1	RFKS2-010C	RFKS3-010C	1	10	299
1-1/4	RFKS2-012C	RFKS3-012C	1	10	299
1-1/2	RFKS2-015C	RFKS3-015C	1	10	299
2	RFKS2-020C	RFKS3-020C	1	5	299
2-1/2	RFKS2-025C	RFKS3-025C	1	5	299
3	RFKS2-030C	RFKS3-030C	1	5	299
4	RFKS2-040C	RFKS3-040C	1	2	299

Supplemental End Connector Sets



Set of 2 End Connectors with O-rings for all True Union 2000 Ball Valves, Sch 80 Union 2000 fittings and True Union Style Diaphragm Valves.

PVC - Supplemental End Connector Sets

Size	EPDM	FKM	Std Pk	Mstr Pk	Prod Code
1/2	ECSRT2-005	ECSRT3-005	1	25	299
3/4	ECSRT2-007	ECSRT3-007	1	25	299
1	ECSRT2-010	ECSRT3-010	1	25	299
1-1/4	ECSRT2-012	ECSRT3-012	1	10	299
1-1/2	ECSRT2-015	ECSRT3-015	1	10	299
2	ECSRT2-020	ECSRT3-020	1	10	299
2-1/2	ECSRT2-025	ECSRT3-025	1	5	299
3	ECSRT2-030	ECSRT3-030	1	5	299
4	ECSRT2-040	ECSRT3-040	1	4	299
6	ECSRT2-060	ECSRT3-060	1	4	299

SR Threaded Ends

Size	EPDM	FKM	Std Pk	Mstr Pk	Prod Code
1/2	ECS2-005	ECS3-005	1	25	299
3/4	ECS2-007	ECS3-007	1	25	299
1	ECS2-010	ECS3-010	1	25	299
1-1/4	ECS2-012	ECS3-012	1	10	299
1-1/2	ECS2-015	ECS3-015	1	10	299
2	ECS2-020	ECS3-020	1	10	299

Suitable for Oil-Free air handling to 25 psi, not for distribution of compressed air or gas

JJ DOWNS INDUSTRIAL PLASTICS INC.

international association of plastics distributors

416.236.1884
Toronto, ON
JJDOWNS.COM



Valves Product
Ball Valve Accessories

Ball Valve Accessories

PVC - Supplemental End Connector Sets (continued)

Size	EPDM	FKM	Std Pk	Mstr Pk	Prod Code
Socket Ends					
2-1/2	ECS2-025	ECS3-025	1	5	299
3	ECS2-030	ECS3-030	1	5	299
4	ECS2-040	ECS3-040	1	4	299
6	ECS2-060	ECS3-060	1	0	299

Spigot Ends					
1/2	ECSP2-005	ECSP3-005	1	25	299
3/4	ECSP2-007	ECSP3-007	1	25	299
1	ECSP2-010	ECSP3-010	1	25	299
1-1/4	ECSP2-012	ECSP3-012	1	10	299
1-1/2	ECSP2-015	ECSP3-015	1	10	299
2	ECSP2-020	ECSP3-020	1	10	299
2-1/2	ECSP2-025	ECSP3-025	1	5	299
3	ECSP2-030	ECSP3-030	1	5	299
4	ECSP2-040	ECSP3-040	1	4	299

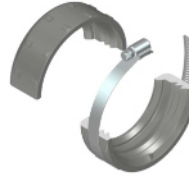
CPVC - Supplemental End Connector Sets

Size	EPDM	FKM	Std Pk	Mstr Pk	Prod Code
SR Threaded Ends					
1/2	ECSRT2-005C	ECSRT3-005C	1	25	299
3/4	ECSRT2-007C	ECSRT3-007C	1	25	299
1	ECSRT2-010C	ECSRT3-010C	1	25	299
1-1/4	ECSRT2-012C	ECSRT3-012C	1	10	299
1-1/2	ECSRT2-015C	ECSRT3-015C	1	10	299
2	ECSRT2-020C	ECSRT3-020C	1	10	299
2-1/2	ECSRT2-025C	ECSRT3-025C	1	5	299
3	ECSRT2-030C	ECSRT3-030C	1	5	299
4	ECSRT2-040C	ECSRT3-040C	1	4	299
6	ECSRT2-060C	ECSRT3-060C	1	4	299

Socket Ends					
1/2	ECS2-005C	ECS3-005C	1	25	299
3/4	ECS2-007C	ECS3-007C	1	25	299
1	ECS2-010C	ECS3-010C	1	25	299
1-1/4	ECS2-012C	ECS3-012C	1	10	299
1-1/2	ECS2-015C	ECS3-015C	1	10	299
2	ECS2-020C	ECS3-020C	1	10	299
2-1/2	ECS2-025C	ECS3-025C	1	5	299
3	ECS2-030C	ECS3-030C	1	5	299
4	ECS2-040C	ECS3-040C	1	4	299
6	ECS2-060C	ECS3-060C	1	0	299

Spigot Ends					
1/2	ECSP2-005C	ECSP3-005C	1	25	299
3/4	ECSP2-007C	ECSP3-007C	1	25	299
1	ECSP2-010C	ECSP3-010C	1	25	299
1-1/4	ECSP2-012C	ECSP3-012C	1	10	299
1-1/2	ECSP2-015C	ECSP3-015C	1	10	299
2	ECSP2-020C	ECSP3-020C	1	10	299
2-1/2	ECSP2-025C	ECSP3-025C	1	5	299
3	ECSP2-030C	ECSP3-030C	1	5	299
4	ECSP2-040C	ECSP3-040C	1	4	299

Split Nut Repair Kits



Designed to replace broken union nuts on all True Union 2000 Ball Valves and Sch 80 Union 2000 fittings

Split Nut Repair Kit

Kit includes:
2-Split Nut Halves
1-SS316 Gear Clamp
Full valve pressure rating maintained

Split Nut Repair Kits

Size	PVC	CPVC	Std Pk	Mstr Pk	Prod Code
1/2	SNK-005	SNK-005C	25	200	299
3/4	SNK-007	SNK-007C	1	25	299
1	SNK-010	SNK-010C	1	25	299
1-1/4	SNK-012	SNK-012C	1	25	299
1-1/2	SNK-015	SNK-015C	1	25	299
2	SNK-020	SNK-020C	1	25	299
3	SNK-030	SNK-030C	1	6	299
4	SNK-040	SNK-040C	1	6	299

True Union 2000 Valve Seal Carrier Tools



True Union 2000 Valve Seal Carrier Tools

Part Number	Size	Std Pk	Mstr Ctn	Prod Code
True Union 2000 Check Valve Seal Carrier Tool				
TSK-00503	1/2	1000	0	299
TSK-00703	3/4	1800	0	299
TSK-01003	1	1800	0	299
TSK-01203	1-1/4	1500	0	299
TSK-01503	1-1/2	800	0	299
TSK-02003	2	550	0	299
TSK-03003	3	200	0	299
TSK-04003	4	150	0	299
TSK-06003	6	40	0	299

True Union 2000 Ball Valve Seal Carrier Tool				
TSK1-00503	1/2	2200	0	299
TSK1-00703	3/4	1700	0	299
TSK1-01003	1	1600	0	299
TSK1-01203	1-1/4	1200	0	299
TSK1-01503	1-1/2	700	0	299
TSK1-02003	2	550	0	299
TSK-03003	3	200	0	299
TSK-04003	4	150	0	299
TSK-06003	6	40	0	299

Suitable for Oil-Free air handling to 25 psi, not for distribution of compressed air or gas

JJ DOWNS INDUSTRIAL PLASTICS INC.

international association
of plastics distribution

416.236.1884
Toronto, ON
JJDOWNS.COM



Valves Product
Ball Valve Accessories

Ball Valve Accessories

Seal Carrier Adjustment Tool for Regular True Union Valves (not shown)

Part Number	Size	Std Pk	Mstr Ctn	Prod Code
VT-025-040	2-1/2 - 4	20	0	299

Designed for use on Spears® 2-1/2", 3", & 4" Regular True Union Ball Valves for quick, easy adjustment of valve seal carriers using a standard 1", 6-point socket.

Stem Extension Kits



Desired Handle Height for Factory Assembled One-Piece Units

Desired Handle Height	Code	Desired Handle Height	Code	Desired Handle Height	Code	Desired Handle Height	Code
5"	050	16"	160	27"	270	38"	380
6"	060	17"	170	28"	280	39"	390
7"	070	18"	180	29"	290	40"	400
8"	080	19"	190	30"	300	41"	410
9"	090	20"	200	31"	310	42"	420
10"	100	21"	210	32"	320	43"	430
11"	110	22"	220	33"	330	44"	440
12"	120	23"	230	34"	340	45"	450
13"	130	24"	240	35"	350	46"	460
14"	140	25"	250	36"	360	47"	470
15"	150	26"	260	37"	370	48"	480

If desired handle height is in increments of less than a full inch, substitute the last "0" of the three-digit code with a "2" for 1/4", a "5" for 1/2", or a "7" for 3/4". EXAMPLE: If ordering a Stem Extension Kit for a 1/2" valve with a desired handle height of 14-3/4", the part number would read: BVSE-005-147.

*Desired length of PVC Schedule 80 Pipe purchased separately and assembled by others.
**Factory assembled with solvent cemented PVC Schedule 80 pipe. To order, fill in the last three digits of the part number with the three-digit code representing the desired handle height from the chart above. FACTORY SOLVENT CEMENTED STEM EXTENSION KITS, ONCE PRODUCED ARE NON-CANCELLABLE AND NON-RETURNABLE.

IMPORTANT NOTE										
The following minimum handle heights apply to use of all Stem Extension Kits.										
Valve Size (in.)	1/2	3/4	1	1-1/4	1-1/2	2	2-1/2	3	4	6
True Union 2000 Industrial Ball Valves										
Minimum Height (in.)	4-9/16	5-3/16	5-1/2	6-3/4	7-3/8	8	9-13/16	9-13/16	11-5/8	12-3/4
True Union 2000 Standard, Compact 2000 & Single Entry Ball Valves										
Minimum Height (in.)	3-5/8	4-1/4	4-3/4	6	6-3/8	7-7/16	9-1/2	9-1/2	11	N/A
Regular True Union & Compact Ball Valves										
Minimum Height (in.)	4-1/2	5-1/4	5-1/2	7	7-1/2	8	9	9	10-1/2	N/A

Suitable for Oil-Free air handling to 25 psi, not for distribution of compressed air or gas

Stem Extension Kits (Two Piece For Non-Locking Handle)

Part Number	Size	Std Pk	Mstr Ctn	Prod Code
BVSE-005-000*	1/2	1	25	299
BVSE-007-000*	3/4	1	25	299
BVSE-010-000*	1	1	25	299
BVSE-012-000*	1-1/4	1	25	299
BVSE-015-000*	1-1/2	1	25	299
BVSE-020-000*	2	1	25	299
BVSE-030-000*	2-1/2, 3	1	25	299
BVSE-040-000*	4	1	25	299

Fits Spears® Regular True Union and Compact Ball Valves, 1/2"-2" = 3-Slot Stem, 2-1/2" - 4" = Double Flats Stem

Optional Factory Assembled (One-Piece)

Part Number	Prod Code	5"-12" Handle Height	13"-18" Handle Height	19"-24" Handle Height	25"-36" Handle Height	37"-48" Handle Height
BVSE-005-___**	299					
BVSE-007-___**	299					
BVSE-010-___**	299					
BVSE-012-___**	299					
BVSE-015-___**	299					
BVSE-020-___**	299					
BVSE-030-___**	299					
BVSE-040-___**	299					

Stem Extension Kits (Two Piece For Non-Locking Handle)

Part Number	Size	Std Pk	Mstr Ctn	Prod Code
BVSE2-005-000*	1/2	1	25	299
BVSE2-007-000*	3/4	1	25	299
BVSE2-010-000*	1	1	25	299
BVSE2-012-000*	1-1/4	1	25	299
BVSE2-015-000*	1-1/2	1	25	299
BVSE2-020-000*	2	1	25	299
BVSE2-030-000*	2-1/2, 3	1	25	299
BVSE2-040-000*	4	1	25	299
BVSE2-060-000*	6	1	25	299

Optional Factory Assembled (One-Piece)

Part Number	Prod Code	5"-12" Handle Height	13"-18" Handle Height	19"-24" Handle Height	25"-36" Handle Height	37"-48" Handle Height
BVSE2-005-___**	299					
BVSE2-007-___**	299					
BVSE2-010-___**	299					
BVSE2-012-___**	299					
BVSE2-015-___**	299					
BVSE2-020-___**	299					
BVSE2-030-___**	299					
BVSE2-040-___**	299					
BVSE2-060-___**	299					

JJ DOWNS INDUSTRIAL PLASTICS INC.

416.236.1884 Toronto, ON JJDOWN.COM



Valves Product
Ball Valve Accessories

Ball Valve Accessories

Round Safety Handle Kits



Regular fits Spears® Regular True Union and Compact Ball Valves in sizes 1/2" - 2" with 3-Slot Stem and in sizes 2-1/2" - 4" with 1-Slot Stem.

Industrial fits All True Union 2000, Compact 2000, and Single Entry Ball Valves in sizes 1/2" - 2" with 3-Slot Stem and in sizes 2-1/2" - 4" with 1-Slot Stem. The 6" size has a Double-Flat Stem pattern.

Round Safety Handle Kits

Size	Regular	Industrial	Std Pk	Mstr Pk	Prod Code
1/2	RSH-005	RSH2-005	500	0	299
3/4	RSH-007	RSH2-007	300	0	299
1	RSH-010	RSH2-010	210	0	299
1-1/4	RSH-012	RSH2-012	200	0	299
1-1/2	RSH-015	RSH2-015	100	0	299
2	RSH-020	RSH2-020	60	0	299
2-1/2 & 3	RSH-030	RSH2-030	25	0	299
4	RSH-040	RSH2-040	16	0	299
6		RSH2-060	16	0	299

2" Operator Nuts



Industrial & Regular (VTN2 Series) Operator Nuts fit Regular True Union, True Union 2000, Compact, Compact 2000 and Single Entry Ball Valves in sizes 1/2" - 2" with current 3-Slot Stems and in sizes 2- 1/2", 3", and 4" with current 1-Slot Stems. The VTN-040 fits the 6" size with a Double-Flat Stem pattern.

2" Operator Nuts

Part Number	Size	Std Pk	Mstr Ctn	Prod Code
Regular				
VTN-030	2-1/2 & 3	10	40	299
VTN-040	4	5	0	299
Industrial				
VTN2-005	1/2	10	60	299
VTN2-007	3/4	10	60	299

2" Operator Nuts (continued)

Part Number	Size	Std Pk	Mstr Ctn	Prod Code
Industrial				
VTN2-010	1	10	60	299
VTN2-012	1-1/4	10	60	299
VTN2-015	1-1/2	10	60	299
VTN2-020	2	10	60	299
VTN2-030	2-1/2 & 3	10	40	299
VTN2-040	4	5	0	299

Handle Lockout Ring



Spears® Handle Lockout Ring is for use with Spears® True Union 2000 Industrial Ball Valves with built-in handle lockout mechanism. Normal handle lockout operation allows lockout in both open and closed positions. The Lockout Ring limits lockout operation to either a lock-open only or a lock-closed only position, according to the position in which the Lockout Ring is installed.

Handle Lockout Ring

Part Number	Size	Std Pk	Mstr Ctn	Prod Code
TU2LR-005	1/2	1	50	299
TU2LR-007	3/4	1	50	299
TU2LR-010	1	1	250	299
TU2LR-012	1-1/4	1	25	299
TU2LR-015	1-1/2	1	25	299
TU2LR-020	2	1	25	299
TU2LR-030	2-1/2 & 3	1	25	299
TU2LR-040	4	1	25	299

Multi-Mount Mounting Bracket



TUMB2 fits all True Union 2000 Ball Valves (except 3-Way). TUMB fits Regular True Union Ball Valves.

Multi-Mount Mounting Bracket

Size	TU 2000	Regular True Union	Std Pk	Mstr Pk	Prod Code
1/2	TUMB2-005	TUMB-005	1	10	298

Suitable for Oil-Free air handling to 25 psi, not for distribution of compressed air or gas

JJ DOWNS INDUSTRIAL PLASTICS INC.

international association
of plastics distributors

416.236.1884
Toronto, ON
JJDOWNS.COM



Valves Product
Ball Valve Accessories

Ball Valve Accessories

Multi-Mount Mounting Bracket (continued)

Size	TU 2000	Regular True Union	Std Pk	Mstr Pk	Prod Code
3/4	TUMB2-007	TUMB-007	1	10	298
1	TUMB2-010	TUMB-010	1	10	298
1-1/4	TUMB2-012	TUMB-012	1	10	298
1-1/2	TUMB2-015	TUMB-015	1	10	298
2	TUMB2-020	TUMB-020	1	10	298
2-1/2, 3	TUMB2-030	TUMB-030	1	4	298
4	TUMB2-040	TUMB-040	1	4	298

Multi-Mount Actuator Mounting Platform



Add-on actuator adapter. Use MMP1 with True Union 2000 Multi-Mount Bracket. Use MMP with Regular True Union.

Multi-Mount Actuator Mounting Platform

Size	TU 2000	Regular True Union	Std Pk	Mstr Pk	Prod Code
1/2	MMP1-005	MMP-005	1	10	299
3/4	MMP1-007	MMP-007	1	10	299
1	MMP1-010	MMP-010	1	10	299
1-1/4	MMP1-012	MMP-012	1	10	299
1-1/2	MMP1-015	MMP-015	1	10	299
2	MMP1-020	MMP-020	1	10	299
2-1/2, 3	MMP1-030	MMP-030	1	5	299
4	MMP1-040	MMP-040	1	5	299

True Union Multi-Mount Mounting Kit



Complete Multi-Mount Actuation Mounting Kit fits all True Union 2000 (except 3-Way) and Regular True Union Ball Valves

Suitable for Oil-Free air handling to 25 psi, not for distribution of compressed air or gas

True Union Multi-Mount Mounting Kit

Size	TU 2000	Regular True Union	Std Pk	Mstr Pk	Prod Code
1/2	TUAK1-005	TUAK-005	1	5	299
3/4	TUAK1-007	TUAK-007	1	5	299
1	TUAK1-010	TUAK-010	1	5	299
1-1/4	TUAK1-012	TUAK-012	1	5	299
1-1/2	TUAK1-015	TUAK-015	1	5	299
2	TUAK1-020	TUAK-020	1	5	299
2-1/2 & 3	TUAK1-030	TUAK-030	1	5	299
4	TUAK1-040	TUAK-040	1	2	299

True Union 2000 Low Profile Actuator Mounting Kit



Industrial Unit - Top-mount actuator mounting system for True Union 2000 Industrial (1800 series) & 3-Way Ball Valves

Standard Unit - Top-mount actuator mounting system for True Union 2000 Standard Ball Valves (3600 series) and Compact 2000 Ball Valves (6600 series)

Note: Low Profile Mounting Kit will not work with Multi-Mount Valve Mounting Bracket - See Mini-Mount actuation Mounting Kit or Mini-Mount Combo Actuation Mounting Kit

True Union 2000 Low Profile Actuator Mounting Kit

Size	TU 2000 Industrial	TU 2000 Standard & Compact	Std Pk	Mstr Pk	Prod Code
1/2	AMB5-005	AMB6-005	1	10	298
3/4	AMB5-007	AMB6-007	1	10	298
1	AMB5-010	AMB6-010	1	10	298
1-1/4	AMB5-012	AMB6-012	1	10	298
1-1/2	AMB5-015	AMB6-015	1	10	298
2	AMB5-020	AMB6-020	1	10	298
3	AMB5-030	AMB6-030	1	10	298
4	AMB5-040	AMB6-040	1	5	298
6	AMB5-060		1	5	298

Does Not Fit 3-way Full Port Valves

JJ DOWNS INDUSTRIAL PLASTICS INC.

416.236.1884 Toronto, ON JJDOWN.COM



Valves Product
Ball Valve Accessories

Ball Valve Accessories

Mini-Mount Actuator Mounting Kit



Industrial Unit – Top-mount actuator mounting system for True Union 2000 Industrial (1800 series) & 3-Way Ball Valves (Regular)
Standard Unit – Top-mount actuator mounting system for True Union 2000 Standard Ball Valves (3600 series) and Compact 2000 Ball Valves (6600 series)
Compact Unit – Top-mount actuator mounting system for Regular Style Compact Ball Valves (2100 series)
Industrial True Union 3-Way Full Port Valve Unit – Top-mount actuator mounting system for For 3-Way Full Port Ball Valves Only

Mini-Mount Actuator Mounting Kit

Size	TU 2000 Industrial	TU 2000 Standard/Compact	Compact (Regular)	Std Pk	Mstr Pk	Prod Code
1/2	AMB2-005	AMB3-005	AMB4-005	1	10	298
3/4	AMB2-007	AMB3-007	AMB4-007	1	10	298
1	AMB2-010	AMB3-010	AMB4-010	1	10	298
1-1/4	AMB2-012	AMB3-012	AMB4-012	1	10	298
1-1/2	AMB2-015	AMB3-015	AMB4-015	1	10	298
2	AMB2-020	AMB3-020	AMB4-020	1	10	298
3	AMB2-030	AMB3-030	AMB3-030	1	10	298
4	AMB2-040	AMB3-040	AMB3-040	1	5	298
6	AMB2-060		AMB2-060	1	5	298

3-Way Full Port Mini-Mount Actuator Mounting Kit

Part Number	Size	Std Pk	Mstr Ctn	Prod Code
AMB7-005	1/2	1	10	298
AMB7-007	3/4	1	10	298
AMB7-010	1	1	10	298
AMB7-012	1-1/4	1	10	298
AMB7-015	1-1/2	1	10	298
AMB7-020	2	1	10	298

For 3-Way Full Port Ball Valves Only

AMB7-005	1/2	1	10	298
AMB7-007	3/4	1	10	298
AMB7-010	1	1	10	298
AMB7-012	1-1/4	1	10	298
AMB7-015	1-1/2	1	10	298
AMB7-020	2	1	10	298

True Union 2000 Mini-Mount Combo



Industrial Unit – Top-mount actuator mounting system with valve support mounting bracket for True Union 2000 Industrial (1800 series) Ball Valve (will not fit 3-Way)
Standard Unit – Top-mount actuator mounting system with valve support mounting bracket for True Union 2000 (3600 series) Standard Ball Valve

True Union 2000 Mini-Mount Combo

Size	Industrial	Standard	Std Pk	Mstr Pk	Prod Code
1/2	TUAK2-005	TUAK3-005	1	5	299
3/4	TUAK2-007	TUAK3-007	1	10	299
1	TUAK2-010	TUAK3-010	1	5	299
1-1/4	TUAK2-012	TUAK3-012	1	5	299
1-1/2	TUAK2-015	TUAK3-015	1	5	299
2	TUAK2-020	TUAK3-020	1	5	299
3	TUAK2-030	TUAK3-030	1	5	299
4	TUAK2-040	TUAK3-040	1	2	299

True Union 2000 Valve Repair Kits — Industrial Ball Valve

Industrial Kit includes:

- 2-PTFE Seats
- 2-End Connector O-rings
- 2-Stem O-rings
- 1-Seal Carrier O-ring
- 1-PTFE Stem Bearing
- 2-Seat O-rings (where applicable)

True Union 2000 Valve Repair Kits

Size	EPDM	FKM	Std Pk	Mstr Pk	Prod Code
Industrial Ball Valve					
1/2	TU2-ERK-005	TU2-VRK-005	1	10	299
3/4	TU2-ERK-007	TU2-VRK-007	1	10	299
1	TU2-ERK-010	TU2-VRK-010	1	10	299
1-1/4	TU2-ERK-012	TU2-VRK-012	1	10	299
1-1/2	TU2-ERK-015	TU2-VRK-015	1	10	299
2	TU2-ERK-020	TU2-VRK-020	1	10	299
2-1/2 & 3	TU2-ERK-030	TU2-VRK-030	1	10	299
4	TU2-ERK-040	TU2-VRK-040	1	10	299
6	TU2-ERK-060	TU2-VRK-060	1	10	299

Suitable for Oil-Free air handling to 25 psi, not for distribution of compressed air or gas

JJ DOWNS INDUSTRIAL PLASTICS INC.

416.236.1884

Toronto, ON

JJDOWNNS.COM

international association of plastics distributors



Valves Product
Ball Valve Accessories

Ball Valve Accessories

True Union 2000 Valve Repair Kits — Standard Ball Valve

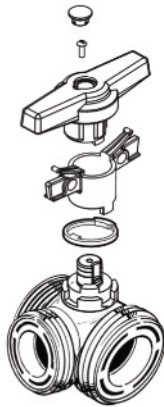
Standard Kit includes:

- 2-HDPE/PTFE Seats
- 2-End Connector O-rings
- 2-Stem O-rings
- 1-Seal Carrier O-ring
- 2-Seat O-rings (where applicable)

True Union 2000 Valve Repair Kits

Size	EPDM	FKM	Std Pk	Mstr Pk	Prod Code
Standard Ball Valve					
1/2	TU1-ERK-005	TU1-VRK-005	1	10	299
3/4	TU1-ERK-007	TU1-VRK-007	1	10	299
1	TU1-ERK-010	TU1-VRK-010	1	10	299
1-1/4	TU1-ERK-012	TU1-VRK-012	1	10	299
1-1/2	TU1-ERK-015	TU1-VRK-015	1	10	299
2	TU1-ERK-020	TU1-VRK-020	1	10	299
2-1/2 & 3	TU1-ERK-030	TU1-VRK-030	1	10	299
4	TU1-ERK-040	TU1-VRK-040	1	10	299

3-Way Full Port Adjustable Stop Ring



- The Adjustable Stop Ring (sold separately)
- Must be used with any "MIXING" Port Option to provide proper mid-way handle stop function
- For 3-Way Full Port Ball Valves Only

Part Number	Size	Std Pk	Mstr Ctn	Prod Code
-------------	------	--------	----------	-----------

3-Way Full Port Adjustable Stop Ring

Required for handle positioning when using MIXING Ball Port Options



For 3-Way Full Port Ball Valves Only

ASR-005	1/2	1	150	299
ASR-007	3/4	1	150	299
ASR-010	1	1	100	299

Part Number	Size	Std Pk	Mstr Ctn	Prod Code
-------------	------	--------	----------	-----------

3-Way Full Port Adjustable Stop Ring (continued)

Required for handle positioning when using MIXING Ball Port Options

ASR-012	1-1/4	1	100	299
ASR-015	1-1/2	1	100	299
ASR-020	2	1	100	299

True Union 3-Way Full Port Ball Valve Repair Kits

3-Way Kit includes:

- 3-PTFE Seats
- 3-End Connector O-rings
- 3-Way Full Port Valve Repair Kit
- 2-Stem O-rings
- 3-Seal Carrier O-ring

Size	EPDM	FKM	Std Pk	Mstr Pk	Prod Code
1/2	TU5-ERK-005	TU5-VRK-005	1	10	299
3/4	TU5-ERK-007	TU5-VRK-007	1	10	299
1	TU5-ERK-010	TU5-VRK-010	1	10	299
1-1/4	TU5-ERK-012	TU5-VRK-012	1	10	299
1-1/2	TU5-ERK-015	TU5-VRK-015	1	10	299
2	TU5-ERK-020	TU5-VRK-020	1	10	299

True Union 2000 Valve Repair Kits — 3-Way Ball Valve

3-Way Kit includes:

- 2-PTFE Seats (no branch seal)
- 3-End Connector O-rings
- 2-Stem O-rings
- 1-Seal Carrier O-ring
- 1-Stem Bushing
- 2-Seat O-rings (where applicable)

True Union 2000 Valve Repair Kits

Size	EPDM	FKM	Std Pk	Mstr Pk	Prod Code
3-Way Ball Valve					
1/2	TU3-ERK-005	TU3-VRK-005	1	10	299
3/4	TU3-ERK-007	TU3-VRK-007	1	10	299
1	TU3-ERK-010	TU3-VRK-010	1	10	299
1-1/4	TU3-ERK-012	TU3-VRK-012	1	10	299
1-1/2	TU3-ERK-015	TU3-VRK-015	1	10	299
2	TU3-ERK-020	TU3-VRK-020	1	10	299
2-1/2 & 3	TU3-ERK-030	TU3-VRK-030	1	10	299
4	TU3-ERK-040	TU3-VRK-040	1	10	299

True Union 2000 Valve Repair Kits — Ball Check Valve

Ball Check Kit includes:

- 2-End Connector O-rings
- 1-Stem Bushing
- 1-Seal Plate O-ring

True Union 2000 Valve Repair Kits

Size	EPDM	FKM	Std Pk	Mstr Pk	Prod Code
Ball Check Valve					
1/2	CK2-ERK-005	CK2-VRK-005	1	10	299
3/4	CK2-ERK-007	CK2-VRK-007	1	10	299
1	CK2-ERK-010	CK2-VRK-010	1	10	299
1-1/4	CK2-ERK-012	CK2-VRK-012	1	10	299
1-1/2	CK2-ERK-015	CK2-VRK-015	1	10	299
2	CK2-ERK-020	CK2-VRK-020	1	10	299

Suitable for Oil-Free air handling to 25 psi, not for distribution of compressed air or gas

JJ DOWNS INDUSTRIAL PLASTICS INC.

416.236.1884
Toronto, ON
JJDOWNS.COM



Valves Product
Ball Valve Accessories

Ball Valve Accessories

True Union 2000 Valve Repair Kits (continued)

Size	EPDM	FKM	Std Pk	Mstr Pk	Prod Code
Ball Check Valve					
3	CK2-ERK-030	CK2-VRK-030	1	10	299
4	CK2-ERK-040	CK2-VRK-040	1	10	299
6	CK2-ERK-060	CK2-VRK-060	1	10	299

Single Entry Ball Valve Repair Kit
Single Entry Kit includes:

- 2-End Connector O-rings
- 1-Seal Plate O-ring
- 1-Seal Carrier O-ring
- 1-Stem Bearing (1-1/4" & up)

Single Entry Ball Valve Repair Kits

Size	Buna-N	EPDM	FKM	Std Pk	Mstr Pk	Prod Code
1/2	SE-BRK-005	SE-ERK-005	SE-VRK-005	1	10	299
3/4	SE-BRK-007	SE-ERK-007	SE-VRK-007	1	10	299
1	SE-BRK-010	SE-ERK-010	SE-VRK-010	1	10	299
1-1/4, 1-1/2	SE-BRK-015	SE-ERK-015	SE-VRK-015	1	10	299
2	SE-BRK-020	SE-ERK-020	SE-VRK-020	1	10	299
3	SE-BRK-030	SE-ERK-030	SE-VRK-030	1	10	299
4	SE-BRK-040	SE-ERK-040	SE-VRK-040	1	10	299

True Union Valve Repair Kits (Regular Style)
Ball Valve Kit includes:

- 2-PTFE Seats
- 2-End Connector O-rings
- 2-Seat O-rings (2-1/2")
- 1-Stem Bearing (1-1/4" & up)

True Union Valve Repair Kits (Regular Style)

Size	EPDM	FKM	Std Pk	Mstr Pk	Prod Code
Ball Valve					
1/2	TU-ERK-005	TU-VRK-005	1	10	299
3/4	TU-ERK-007	TU-VRK-007	1	10	299
1	TU-ERK-010	TU-VRK-010	1	10	299
1-1/4	TU-ERK-012	TU-VRK-012	1	10	299
1-1/2	TU-ERK-015	TU-VRK-015	1	10	299
2	TU-ERK-020	TU-VRK-020	1	10	299
2-1/2, 3	TU-ERK-030	TU-VRK-030	1	10	299
4, 6 VENTURIED	TU-ERK-040	TU-VRK-040	1	10	299

True Union Ball Check Valve Repair Kits (Regular Style)
Ball Check (Regular Style) Kit includes:

- 1-Body O-ring
- 2-End Connector O-rings
- 2-Seat-plate O-rings

Ball Check Valve

1/2	CK-ERK-005	CK-VRK-005	1	10	299
3/4	CK-ERK-007	CK-VRK-007	1	10	299
1	CK-ERK-010	CK-VRK-010	1	10	299
1-1/4	CK-ERK-012	CK-VRK-012	1	10	299
1-1/2	CK-ERK-015	CK-VRK-015	1	10	299
2	CK-ERK-020	CK-VRK-020	1	10	299

True Union Valve Repair Kits (Regular Style) (continued)

Size	EPDM	FKM	Std Pk	Mstr Pk	Prod Code
Ball Check Valve					
2-1/2 OR 3	CK-ERK-030	CK-VRK-030	1	10	299
4	CK-ERK-040	CK-VRK-040	1	10	299



True Union 2000 Industrial Ball Valve Cartridge True Union 2000 Standard Ball Valve Cartridge True Union 2000 Industrial Ball Check Valve Cartridge

True Union Ball Valve Cartridge Kits include valve assembly, less union nuts and end connectors.

Note: 6" Valve uses Lever-Style Handle for proper leverage. T-Style Handle is more compact, but will increase difficulty of operation.

PVC True Union 2000 Industrial Ball Valve Cartridges

Size	EPDM	FKM	Std Pk	Mstr Pk	Prod Code
1/2	1820-005	1830-005	1	18	299
3/4	1820-007	1830-007	1	18	299
1	1820-010	1830-010	1	18	299
1-1/4	1820-012	1830-012	1	8	299
1-1/2	1820-015	1830-015	1	8	299
2	1820-020	1830-020	1	8	299
2-1/2	1820-025	1830-025	1	0	299
3	1820-030	1830-030	1	0	299
4	1820-040	1830-040	1	0	299
6 (T-Style Handle)	18206-060	18306-060	1	0	299
6 (Lever Handle)	1820-060	1830-060	1	0	299

CPVC True Union 2000 Industrial Ball Valve Cartridges

Size	EPDM	FKM	Std Pk	Mstr Pk	Prod Code
1/2	1820-005C	1830-005C	1	18	299
3/4	1820-007C	1830-007C	1	18	299
1	1820-010C	1830-010C	1	18	299
1-1/4	1820-012C	1830-012C	1	8	299
1-1/2	1820-015C	1830-015C	1	8	299
2	1820-020C	1830-020C	1	8	299
2-1/2	1820-025C	1830-025C	1	0	299
3	1820-030C	1830-030C	1	0	299
4	1820-040C	1830-040C	1	0	299
6 (T-Style Handle)	18206-060C	18306-060C	1	0	299
6 (Lever Handle)	1820-060C	1830-060C	1	0	299

Suitable for Oil-Free air handling to 25 psi, not for distribution of compressed air or gas

JJ DOWNS INDUSTRIAL PLASTICS INC.

international association of plastics distributors

416.236.1884 Toronto, ON JJDOWN.COM



Valves Product
Ball Valve Accessories

Ball Valve Accessories

PVC True Union 2000 Industrial Ball Check Valve Cartridges

Size	EPDM	FKM	Std Pk	Mstr Pk	Prod Code
1/2	4520-005	4530-005	1	10	299
3/4	4520-007	4530-007	1	10	299
1	4520-010	4530-010	1	6	299
1-1/4	4520-012	4530-012	1	4	299
1-1/2	4520-015	4530-015	1	4	299
2	4520-020	4530-020	1	4	299
2-1/2	4520-025	4530-025	1	4	299
3	4520-030	4530-030	1	4	299
4	4520-040	4530-040	1	0	299
6	4520-060	4530-060	1	0	299

CPVC True Union 2000 Industrial Ball Check Valve Cartridges

Size	EPDM	FKM	Std Pk	Mstr Pk	Prod Code
1/2	4520-005C	4530-005C	1	18	299
3/4	4520-007C	4530-007C	1	18	299
1	4520-010C	4530-010C	1	18	299
1-1/4	4520-012C	4530-012C	1	12	299
1-1/2	4520-015C	4530-015C	1	8	299
2	4520-020C	4530-020C	1	8	299
2-1/2	4520-025C	4530-025C	1	4	299
3	4520-030C	4530-030C	1	4	299
4	4520-040C	4530-040C	1	0	299
6	4520-060C	4530-060C	1	0	299

PVC True Union 2000 Standard Ball Valve Cartridges

Size	EPDM	FKM	Std Pk	Mstr Pk	Prod Code
1/2	3620-005	3630-005	1	18	299
3/4	3620-007	3630-007	1	18	299
1	3620-010	3630-010	1	18	299
1-1/4	3620-012	3630-012	1	12	299
1-1/2	3620-015	3630-015	1	12	299
2	3620-020	3630-020	1	8	299
2-1/2 & 3	3620-030	3630-030	1	0	299
4	3620-040	3630-040	1	0	299

CPVC True Union 2000 Standard Ball Valve Cartridges

Size	EPDM	FKM	Std Pk	Mstr Pk	Prod Code
1/2	3620-005C	3630-005C	1	18	299
3/4	3620-007C	3630-007C	1	18	299
1	3620-010C	3630-010C	1	18	299
1-1/4	3620-012C	3630-012C	1	12	299
1-1/2	3620-015C	3630-015C	1	12	299
2	3620-020C	3630-020C	1	8	299
2-1/2 & 3	3620-030C	3630-030C	1	0	299
4	3620-040C	3630-040C	1	0	299

PVC True Union Ball Valve Cartridges (Regular Style)

Size	EPDM	FKM	Std Pk	Mstr Pk	Prod Code
1/2	2320-005	2330-005	1	10	299
3/4	2320-007	2330-007	1	10	299
1	2320-010	2330-010	1	10	299
1-1/4	2320-012	2330-012	1	4	299

PVC True Union Ball Valve Cartridges (Regular Style) (continued)

Size	EPDM	FKM	Std Pk	Mstr Pk	Prod Code
1-1/2	2320-015	2330-015	1	4	299
2	2320-020	2330-020	1	4	299
2-1/2, 3	2320-030	2330-030	1	0	299
4	2320-040	2330-040	1	0	299

CPVC True Union Ball Valve Cartridges (Regular Style)

Size	EPDM	FKM	Std Pk	Mstr Pk	Prod Code
1/2	2320-005C	2330-005C	1	10	299
3/4	2320-007C	2330-007C	1	10	299
1	2320-010C	2330-010C	1	10	299
1-1/4	2320-012C	2330-012C	1	4	299
1-1/2	2320-015C	2330-015C	1	4	299
2	2320-020C	2330-020C	1	4	299
2-1/2, 3	2320-030C	2330-030C	1	0	299
4	2320-040C	2330-040C	1	0	299

PVC True Union Ball Check Valve Cartridges (Regular Style)

Size	EPDM	FKM	Std Pk	Mstr Pk	Prod Code
1/2	2220-005	2230-005	1	10	299
3/4	2220-007	2230-007	1	10	299
1	2220-010	2230-010	1	6	299
1-1/4	2220-012	2230-012	1	4	299
1-1/2	2220-015	2230-015	1	4	299
2	2220-020	2230-020	1	4	299
2-1/2	2220-025	2230-025	1	0	299
3	2220-030	2230-030	1	0	299
4	2220-040	2230-040	1	0	299

CPVC True Union Ball Check Valve Cartridges (Regular Style)

Size	EPDM	FKM	Std Pk	Mstr Pk	Prod Code
1/2	2220-005C	2230-005C	1	10	299
3/4	2220-007C	2230-007C	1	10	299
1	2220-010C	2230-010C	1	6	299
1-1/4	2220-012C	2230-012C	1	4	299
1-1/2	2220-015C	2230-015C	1	4	299
2	2220-020C	2230-020C	1	4	299
2-1/2	2220-025C	2230-025C	1	0	299
3	2220-030C	2230-030C	1	0	299
4	2220-040C	2230-040C	1	0	299

Suitable for Oil-Free air handling to 25 psi, not for distribution of compressed air or gas

JJ DOWNS INDUSTRIAL PLASTICS INC.

416.236.1884
Toronto, ON
JJDOWNS.COM