



**Valves Product**  
**Sewer Disconnect**

Spears® Sewer Disconnect functions as both cleanout and disconnect device, plus helps prevent sewage backup during hurricanes and floods. Complete unit consists of body and plunger (sold separately - both parts are required for proper use). The plunger can be screwed into the body to block solids waste flow. The plunger should be removed from the body and stored when not in use to prevent accidental closing (i.e., from ground vibration, etc.).

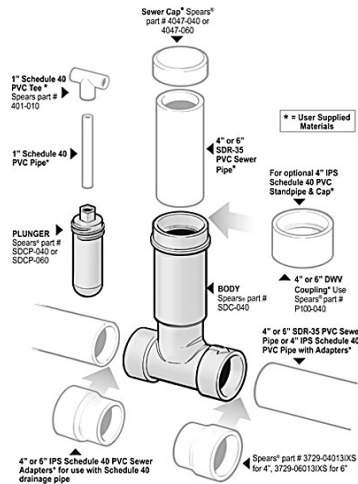


- Connects directly to 4" or 6" SDR-35 (or any ASTM D3034/D2729) PVC Sewer Pipe.
- Easily adapted to 4" or 6" Schedule 40 PVC Drainage Pipe with addition of IPS x Sewer Adapters, Socket x Spigot, Spears® part no. 3729-040131XS for 4" or 3729-060131XS for 6".
- User-supplied standpipe can be installed to grade using PVC Sewer Pipe connected to the body branch socket and a Sewer Cap to close off (Spears® part no. 4047-040 for 4" or 4047-060 for 6"). Optionally, user-supplied Schedule 40 Pipe can be used for standpipe with addition of a Schedule 40 DWV Socket Coupling (Spears® part no. P100-040 for 4" or P100-060 for 6") and Cap (Spears® part no. P116-040 for 4" or P116-060 for 6").
- T-handle for Plunger operation can be easily fabricated from user-supplied 1" Schedule 40 Pipe and Tee fitting (Spears® part no. 401-010).



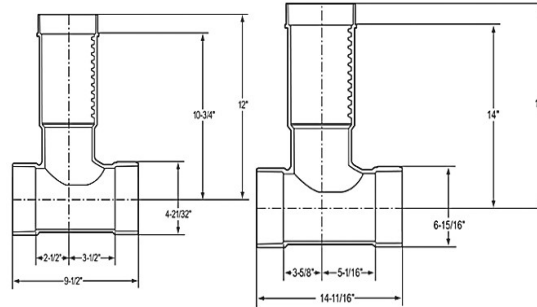
Note - the unit restricts flow by approximately 85%. As a result, the unit must be located in the sewer line where solids are present, Full disconnect is not achieved without solids in the flow.

**Auxiliary Components**  
**(Purchased Separately)**



**4" Basic Dimensions**

**6" Basic Dimensions**



**Sewer Disconnect**

**Sewer Disconnect Body**

Part Number	Size	Std Pk	Mstr Ctn	Prod Code
SDC-040	4	6	0	055
SDC-060	6	2	0	055

**Sewer Socket X Sewer Socket.**

Requires Purchase of SDCP-040 or SDCP-060 Plunger

SDC-040	4	6	0	055
SDC-060	6	2	0	055

**Sewer Disconnect Plunger**

Part Number	Size	Std Pk	Mstr Ctn	Prod Code
SDCP-040	4	12	0	055

**For Use With Sewer Disconnect Body Purchased Separately.**

Requires Purchase of SDC-040 or SDC-060 Body

SDCP-040	4	12	0	055
----------	---	----	---	-----

**Sewer Disconnect Plunger (continued)**

Part Number	Size	Std Pk	Mstr Ctn	Prod Code
SDCP-060	6	6	0	055

**For Use With Sewer Disconnect Body Purchased Separately.**

SDCP-060	6	6	0	055
----------	---	---	---	-----

**Optional IPS x SEWER Adapter**

**IPS Socket x Sewer Spigot for adapting Sewer Disconnect Body to Schedule 40 drainage pipe**



3729-040131XS	4	1	90	399
3729-060131XS	6	1	15	399

**Suitable for Oil-Free air handling to 25 psi, not for distribution of compressed air or gas**

JJ DOWNS INDUSTRIAL PLASTICS INC.

member  
**iapd**  
international association  
of plastics distribution

416.236.1884      Toronto, ON      JJDOWN.COM



**Valves Product**  
**Utility Backwater Valve**

**Utility Backwater Valve**



Spears® Utility Backwater Valves feature an easily serviceable and replaceable Flapper Assembly with extendable access using standard piping components. Designed for direct solvent cement connection to ASTM D 2665 DWV drainage pipe or any other IPS size pipe. Spears® IPS x Sewer adapters easily convert valve to ASTM D 3034 SDR 35 Sewer Pipe. Backwater Valves conform to requirements of ASME/ANSI A112.14.1 Utility

Backwater Valves are designed to prevent backflow in numerous applications where easy service access for maintenance and cleaning is needed. Excellent for use in sanitary or storm sewer drainage systems to prevent waste back up due to inadequate drainage, for balancing multi-level ponds, aquaculture features or storage tank systems, and many other applications. Spears® Utility Backwater Valve has been engineered for easier installation with included Extension Kit Adapter components for use with User-Supplied Schedule 40 or Class 125 Extension Riser pipe cut to desired length. Utility Backwater Valve package comes with 50 psi (115 feet of head) rated Extension Adapters. Optional Adapter Kits available in 100 psi (232 feet of head) rating. Can also use User-supplied equivalent adapter components.

- Replaceable internal flapper assembly.
- Extension Kit Adapter components allow easy use with assembly user supplied pipe cut to desired length.
- Direct Valve Connection to ASTM D 2665 PVC DWV or other IPS size pipe. Spears® IPS DWV x Sewer & Drain Adapter are available for connection to ASTM D 3034 & ASTM D 2729 Sewer pipe.
- Standard Valve Extension Adapters Pressure Rated to 50 psi (115 feet of head) @ 73°F (23°C) - Optional 100 psi Adapter (232 feet of head) available.
- Conforms to ASME/ANSI A112.14.1 for Backwater Valves.

Part Number	Size	Std Pk	Mstr Ctn	Prod Code
-------------	------	--------	----------	-----------

**Utility Backwater Valve w/Extension Adapters**

**Valve Package includes Body, Flapper Assembly and Extension Adapters (female thread & male thread plug) with 50 psi Extension Adapters Rating 100 psi Extension Adapter Available.**



Requires User-Supplied 6" (for 4" valves) or 8" (for 6" valves) from Schedule 40 or Class 125 Riser Extension Pipe cut to desired length and 1" or 1-1/4" Internal Extension Pipe

SML-3	3	1	0	055
SML-4	4	1	0	055
SML-6	6	1	0	055

Part Number	Size	Std Pk	Mstr Ctn	Prod Code
-------------	------	--------	----------	-----------

**Utility Backwater Valve Only**  
**Includes Valve Body & Flapper Assembly**  
**Socket x Socket**  
**Requires used of either 50 psi or 100 psi Extension Kit, or use of User-supplied equivalent components**



SML-3XP-A	3	1	0	055
SML-4XP-A	4	1	0	055
SML-6XP-A	6	1	0	055

**Utility Backwater Valve Extension Adapter Kit**  
**Select 50 psi or 100 psi Kit**

**Kit includes Female Threaded Cleanout Adapter and Male Threaded Plug for use with User-Supplied 6" (for 4" valves) or 8" (for 6" valves) from Schedule 40 or Class 125 Riser Extension Pipe**



Note: 50 psi Kits have DWV Cleanout Plugs, 100 psi kits have Schedule 40 Threaded Plugs. User-supplied equivalent components can also be used.

SML4XP-A-EK50	3" & 4" 50 psi	1	0	055
SML4XP-A-EK100	3" & 4" 100 psi	1	0	055
SML6XP-A-EK50	6" 50 psi	3	0	055
SML6XP-A-EK100	6" 100 psi	3	0	055

**Utility Backwater Valve Flapper Replacement Kit**

**Kit include Flapper Assembly For Repair or Replacement**



SML4XP-A-FRK	3" & 4"	1	10	055
SML6XP-A-FRK	6	1	5	055

**IPSX Sewer Adapter**

**IPS DWV Spigot x Sewer Hub**



Adapts IPS DWV Valve Socket to Sewer Pipe

P118-030	3	25	0	051
P118-040	4	10	0	051
3729-06031XS	6	1	4	399

**Suitable for Oil-Free air handling to 25 psi, not for distribution of compressed air or gas**

JJ DOWNS INDUSTRIAL PLASTICS INC.

416.236.1884
Toronto, ON
JJDOWNS.COM



Valves Product  
**Industrial PVC Backwater Valves**

**Industrial PVC Backwater Valves**

Backwater Valves are designed to prevent backflow in numerous applications where easy service access for maintenance and cleaning is needed. Excellent for use in sanitary or storm sewer drainage systems to prevent waste back up due to inadequate drainage, for balancing multi-level ponds, aquaculture features or storage tank systems, and many other applications. Spears® Backwater Valve has been engineered for improved function and easier service, especially in buried service with use of optional Service-Access Extension available either preassembled with valve or as an add-on kit.

- Replaceable internal flapper assembly with EPDM Seat.
- Service-Access Extension available either preassembled with valve, as an add-on kit, or as valve & extension kit components with user supplied pipe.
- Direct Connection to ASTM D 2665 PVC DWV or other IPS size pipe. Spears® fabricated IPS x Sewer Adapters or DWV x Sewer & Drain Adapter Bushings are available for connection to ASTM D 3034 & ASTM D 2729 Sewer pipe.
- Pressure Rated to 43 psi (100 feet of head) @ 73°F (23°C).
- All extension kits can be cut shorter for custom application.
- Conforms to ASME/ANSI A112.14.1 for Backwater Valves.

**PVC Backwater Valves**



**Backwater Valves - Valve Only**

Part Number	Size	Std Pk	Mstr Ctn	Prod Code
<b>Socket x Socket</b>				
S275P	2	1	12	055
S375P	3	2	0	055
S475P	4	1	0	055
S675P	6	1	0	055
S875P	8	1	0	055
S1075P	10	1	0	055

**PVC Backwater Valves with Extension Kit to Premade Length**



**Backwater Valves with Extension Kit to Premade Length**

Part Number	Size	Std Pk	Mstr Ctn	Prod Code
<b>Socket x Socket</b>				
Assembled with Extension				
S275P-120 <sup>1</sup>	2X12HT	1	0	055
S275P-160 <sup>1</sup>	2X16HT	1	0	055
S275P-200 <sup>1</sup>	2X20HT	1	0	055
S275P-240 <sup>1</sup>	2X24HT	1	0	055
S275P-360 <sup>1</sup>	2X36HT	1	0	055
S275P-480 <sup>1</sup>	2X48HT	1	0	055
S375P-120 <sup>1</sup>	3X12HT	1	0	055
S375P-160 <sup>1</sup>	3X16HT	1	0	055
S375P-200 <sup>1</sup>	3X20HT	1	0	055
S375P-240 <sup>1</sup>	3X24HT	1	0	055
S375P-360 <sup>1</sup>	3X36HT	1	0	055
S375P-480 <sup>1</sup>	3X48HT	1	0	055
S475P-120 <sup>1</sup>	4X12HT	1	0	055
S475P-160 <sup>1</sup>	4X16HT	1	0	055
S475P-200 <sup>1</sup>	4X20HT	1	0	055
S475P-240 <sup>1</sup>	4X24HT	19	0	055
S475P-360 <sup>1</sup>	4X36HT	1	0	055
S475P-480 <sup>1</sup>	4X48HT	1	0	055
S675P-120 <sup>1</sup>	6X12HT	1	0	055
S675P-160 <sup>1</sup>	6X16HT	1	0	055
S675P-200 <sup>1</sup>	6X20HT	1	0	055
S675P-240 <sup>1</sup>	6X24HT	1	0	055
S675P-360 <sup>1</sup>	6X36HT	1	0	055
S675P-480 <sup>1</sup>	6X48HT	1	0	055

<sup>1</sup> - Size designates nominal valve size x extension height (HT-top of valve to top of extension, inches)

Suitable for Oil-Free air handling to 25 psi, not for distribution of compressed air or gas

JJ DOWNS INDUSTRIAL PLASTICS INC.

416.236.1884
Toronto, ON
JJDOWNS.COM



Valves Product  
**Industrial PVC Backwater Valves**

**Industrial PVC Backwater Valves**

**PVC Service-Access Extension Kit Only to Premade Length**



**PVC Service-Access Extension Kit:** includes factory assembled internal flap assembly, assembly extension pipe, and external extension housing with top access adapter. Requires solvent cement assembly to existing valve and uses existing threaded Access Plug. Standard Extensions are available in convenient increments of 12", 16", 20", 24", 36", and 48" (measured from top of valve to top of extension). Contact Spears® for MSRP on custom cut lengths. All extension kits can be cut shorter in the field for custom fits prior to cementing access adapter in place.

**Service-Access Extension Kit Only to Premade Length**

Part Number	Size	Std Pk	Mstr Ctn	Prod Code
SAEK-020-120 <sup>1</sup>	2X12HT	1	0	055
SAEK-020-160 <sup>1</sup>	2X16HT	1	0	055
SAEK-020-200 <sup>1</sup>	2X20HT	1	0	055
SAEK-020-240 <sup>1</sup>	2X24HT	1	0	055
SAEK-020-360 <sup>1</sup>	2X36HT	1	0	055
SAEK-020-480 <sup>1</sup>	2X48HT	1	0	055
SAEK-030-120 <sup>1</sup>	3X12HT	1	0	055
SAEK-030-160 <sup>1</sup>	3X16HT	1	0	055
SAEK-030-200 <sup>1</sup>	3X20HT	1	0	055
SAEK-030-240 <sup>1</sup>	3X24HT	1	0	055
SAEK-030-360 <sup>1</sup>	3X36HT	1	0	055
SAEK-030-480 <sup>1</sup>	3X48HT	1	0	055
SAEK-040-120 <sup>1</sup>	4X12HT	1	0	055
SAEK-040-160 <sup>1</sup>	4X16HT	1	0	055
SAEK-040-200 <sup>1</sup>	4X20HT	1	0	055
SAEK-040-240 <sup>1</sup>	4X24HT	1	0	055
SAEK-040-360 <sup>1</sup>	4X36HT	1	0	055
SAEK-040-480 <sup>1</sup>	4X48HT	1	0	055
SAEK-060-120 <sup>1</sup>	6X12HT	1	0	055
SAEK-060-160 <sup>1</sup>	6X16HT	1	0	055
SAEK-060-200 <sup>1</sup>	6X20HT	4	0	055
SAEK-060-240 <sup>1</sup>	6X24HT	1	0	055
SAEK-060-360 <sup>1</sup>	6X36HT	1	0	055
SAEK-060-480 <sup>1</sup>	6X48HT	1	0	055

<sup>1</sup> - Size designates nominal valve size x extension height (HT-top of valve to top of extension, inches)

**PVC Backwater Valve with Extension Components**



**Backwater Valve with Extension Components**

Part Number	Size	Std Pk	Mstr Ctn	Prod Code
-------------	------	--------	----------	-----------

**Socket x Socket**

Must be assembled with user supplied pipe (see Table 1)

S275P-AK	2	1	8	055
S375P-AK	3	1	0	055
S475P-AK	4	1	0	055
S675P-AK	6	1	0	055

**PVC Backwater Valve Extension Components Only**



**Backwater Valve Extension Components Only**

Part Number	Size	Std Pk	Mstr Ctn	Prod Code
-------------	------	--------	----------	-----------

Must be assembled with user supplied pipe (see Table 1)

S275P-ECK	2	1	8	055
S375P-ECK	3	1	8	055
S475P-ECK	4	1	0	055
S675P-ECK	6	1	0	055

**Suitable for Oil-Free air handling to 25 psi, not for distribution of compressed air or gas**

JJ DOWNS INDUSTRIAL PLASTICS INC.

416.236.1884      Toronto, ON      JJDOWNNS.COM



Valves Product  
**Industrial PVC Backwater Valves**

**Industrial PVC Backwater Valves**  
Backwater Valve Extension Components Only (continued)

Part Number	Size	Std	Mstr	Prod
		Pk	Ctn	Code

Table 1: User Supplied Pipe Requirements  
For Use With Extension Components

Valve Size	Acceptable RISER Pipe Types for User-Supplied Pipe	Acceptable HANDLE Pipe
2"	4" Class 125 PVC PIPE 4" Sch 40 PVC PIPE	Use any 3/4" IPS plastic pipe <sup>1</sup>
3"	5" Class 125 PVC PIPE 5" Sch 40 PVC PIPE <sup>3</sup> 6" D3034 (SDR 35) PVC SEWER PIPE <sup>2</sup>	
4"	8" Class 125 PVC PIPE 8" Sch 40 PVC PIPE	
6"	10" Class 125 PVC PIPE 10" Sch 40 PVC PIPE	

Note 1: Riser and Handle pipe are *not* the same length. Sch 40 and/or Sch 80 pipe as well as ABS may be used. Special cement must be used to join PVC to ABS.

Note 2: When 6" SDR35 pipe is used, adapter fits pipe inside diameter.

Note 3: DO NOT use Sch 80 for 3" Riser pipe.

PVC Backwater Valve Metric Adapters



Backwater Valve Metric Adapters

Part Number	Size	Std	Mstr	Prod
		Pk	Ctn	Code

Metric Socket x ASTM Spigot

S275MA-063	63mm X 2	50	0	055
S375MA-090	90mm X 3	25	0	055
S475MA-110	110mm X 4	10	0	055
S675MA-160	160mm X 6	4	0	055

Industrial Backwater Valve Flapper Repair Kit



Backwater Valve Flapper Repair Kit

Part Number	Size	Std	Mstr	Prod
		Pk	Ctn	Code

Complete Flapper Assembly replacement

S275P-FRK	2	1	10	055
S375P-FRK	3	1	10	055
S475P-FRK	4	1	10	055
S675P-FRK	6	1	5	055

Suitable for Oil-Free air handling to 25 psi, not for distribution of compressed air or gas

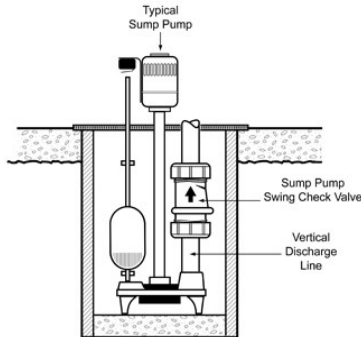
JJ DOWNS INDUSTRIAL PLASTICS INC.

416.236.1884
Toronto, ON
JJDOWNS.COM



Valves Product  
**Sump Pump Swing Check Valves &  
 Swing Check Ball Valves**

**Sump Pump Swing Check Valves**



- Specifically Designed for Use on Sump Pump Discharge Lines (See Illustration)
- Includes Compression End Connectors with Buna-N Gaskets for Use on Either 1-1/4" or 1-1/2" Pipe
- All Plastic Construction with Elastomer Seals - No Metal Parts
- Angled Seat and Weighted Flapper for Low-Pressure Seal
- Suitable for Vertical Up-flow or Horizontal Installations

**Pressure Rating @ 73°F (23°C), Water**  
 Full Flow (open) 150 psi  
 Back Pressure (closed) 75 psi

**Maximum Service Temperature**  
 140°F (60°C)

Temperature/Pressure De-ratings Apply

**General Installation Information:** Sump Pump Swing Check Valves may be installed in either vertical up-flow (see illustration) or horizontal positions on pump discharge line. Check valves MUST be installed with the valve's FLOW arrow pointing in the direction of the flow. In horizontal installations, the designated side must be positioned "up." Do Not install Check Valve upside down.

**PVC Sump Pump Swing Check Valve**

Part Number	Size	Std Pk	Mstr Ctn	Prod Code
-------------	------	--------	----------	-----------

**Compression Ends**

Buna-N Gaskets included for both 1-1/4" & 1-1/2" pipe

S1400-15	1-1/2 & 1-1/4	16	0	026
----------	---------------	----	---	-----

**Swing Check Ball Valves**



- One-piece Combination for Applications Requiring In-line Ball Valve and Check Valves
- Compact, Space-Saving Design
- True Union Design Allows Easy Service and Cleaning
- High Grade EPDM Seals
- Replaceable PTFE HDPE Ball Valve Seats
- Safety-Blocked™ Seal Carrier on Ball Valve
- Replaceable Sealed Check Valve Cartridge
- Suitable for Horizontal or Vertical Up-flow Installations
- Socket End Connections

**Pressure Rating @ 73°F (23°C), Water**  
 Full Flow (open) 150 psi  
 Back Pressure (closed) 75 psi

**Maximum Service Temperature**  
 140°F (60°C)

Temperature/Pressure De-ratings Apply

**General Installation Information:** Swing Check Ball Valves are designed for horizontal installations, but may be installed in an up-flow only vertical position. The Check Valve portion MUST be installed with the valve's FLOW arrow pointing in the direction of flow and with the designated side up in horizontal installations. Do Not install Check Valve upside down. The Ball Valve portion may be rotated and installed in any position. Flow velocity should not exceed 5 ft./sec. Minimum opening pressure is less than 0.5 psi.

**PVC Swing Check Ball Valve**

Part Number	Size	Std Pk	Mstr Ctn	Prod Code
<b>Socket x Socket</b>				
7622-015	1-1/2	10	0	026
7622-020	2	6	0	026

**Suitable for Oil-Free air handling to 25 psi, not for distribution of compressed air or gas**

JJ DOWNS INDUSTRIAL PLASTICS INC.

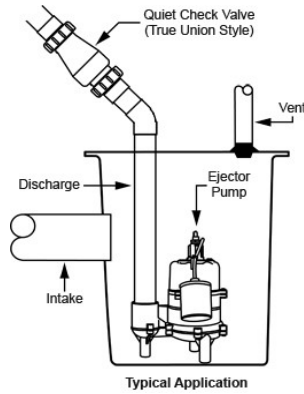
416.236.1884      Toronto, ON      JJDOWNNS.COM





**Valves Product**  
**Quiet Check Valves**

**Quiet Check Valves**



- Designed to Provide Quiet Operation in Sump Pump or Sewage Ejector Pump Systems.
- Spring Controlled Rate of Closing Prevents Slamming and Eliminates Noise.
- Includes Both True Union Sockets for Easy Servicing and Direct Socket Connection for Installation in Confined Space.
- 2" Size for Sewage Ejector Systems, 1-1/2" Size for Sump Pump Effluent Systems.

**Pressure Rating @ 73°F (23°C), Water**  
**Full Flow (open) 150 psi**  
**Back Pressure (closed) 75 psi**  
**Maximum Service Temperature 140°F (60°C)**  
**Temperature/Pressure De-ratings Apply**

**General Installation Information:** Install check valve 12"-18" above pump discharge, or as recommended by pump system manufacturer. Be sure check valve installation complies with local codes. Valve may be installed in either vertical up-flow or horizontal positions on pump discharge line. Check valves MUST be installed with the valve's FLOW arrow pointing in the direction of the flow. In horizontal installations, the designated side must be positioned "up."

**PVC Quiet Check Valve**

Part Number	Size	Std PK	Mstr Ctn	Prod Code
-------------	------	--------	----------	-----------

**Soc x Soc**

True Union or Direct Socket End Connection

8622-015	1-1/2	12	0	026
8622-020	2	10	0	026

**Suitable for Oil-Free air handling to 25 psi, not for distribution of compressed air or gas**

JJ DOWNS INDUSTRIAL PLASTICS INC.

416.236.1884
Toronto, ON
JJDOWNS.COM