

# BÁSIKS

## Compact Flow Switch

### Features

- Ideal for confirming operation of pressure relief, regulating or actuated valves.
- Flow switch performance independent of pressure and temperature.
- Flexible design – Target area, Target length, Target stiffness.
- Extremely Wide Operating Range: .7 – 25 GPM
- Higher flow rates / pipe sizes available on special order.
- Maximum flow may be five times normal flow.
- Positive stop eliminates effects of turbulence, vibration and flow surge on flow detecting element.
- Pressure drop - typically less than 1.0 psig at normal flow rate.
- Switches 5 VDC to 240 VAC.
- Provides dry circuit interface with computer and PLC modules.
- Small size and low profile provides easy installations.



### Pressure / Temperature

Maximum Pressure . . . . . 150 PSI/10.3 Bar  
 Max. Temperature Noryl PPO . . . . . 180°F/82°C

### Materials of Construction

Wetted materials are Noryl, PFA, and EPOCAP 16505 Epoxy. Non-wetted materials include ferrite magnet and reed switch (fully encapsulated in body material), and steel bending beam target (PFA coated).

# JJD

JJ DOWNS INDUSTRIAL PLASTICS INC.

JJDOWNS.COM

## Electrical Switch Characteristics

- SPNO/SPNC
- AC Voltage (maximum switching):..... 300 VAC
- DC Voltage (maximum switching): ..... 350 VDC
- Current (maximum switching-DC): ..... 0.5 amp
- Current (maximum carrying-DC): ..... 2.5 amp
- Power (maximum resistance load):..... 50 watts
- Contact resistance (maximum initial): ..... 0.15 ohms
- Insulation resistance:..... 1010 ohms

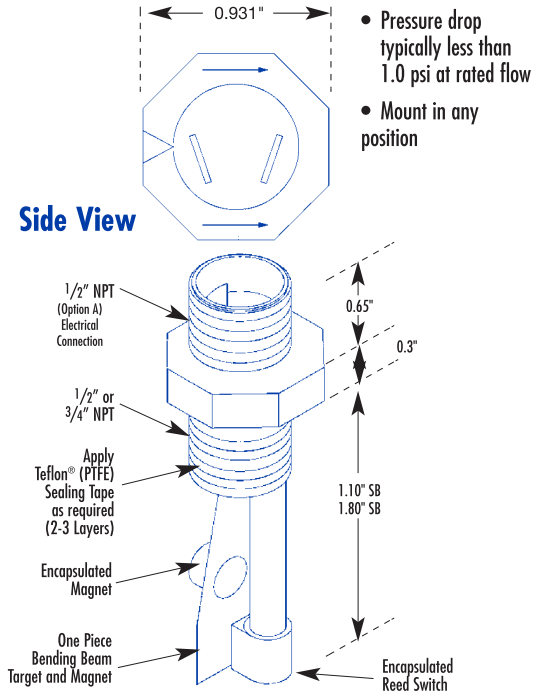
SPDT, 3 Watt, 100 VAC/VDC optional

## Inductive Loads:

Switch contacts have been tested with small relays and 30 amp J-C relay inductive driving coils at 120/240 VAC to 500,000 operations without failure.

**Note:** Employs magnetic coupling between float arm and switch body. Magnetic particles can accumulate on and around magnetic housing which may affect proper operation. Please conduct appropriate fluid magnetic particle evaluation and operational tests prior to and during installation and use.

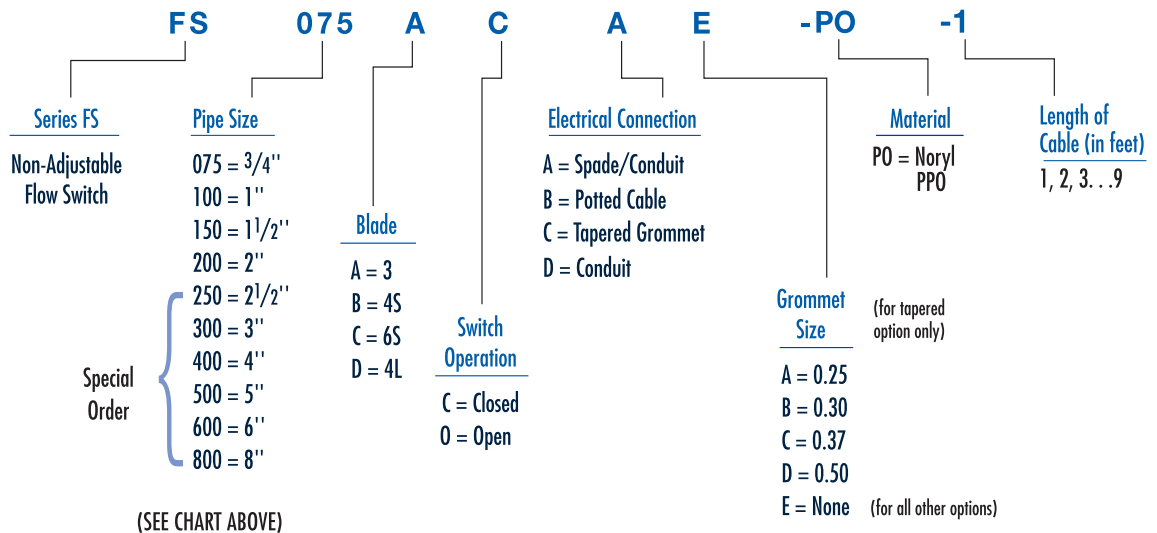
## Dimensions and Ordering Info



Pipe Size	GPM	Body	Blade *	On	Off
0.75	Low	SB 3/4	3	0.9	0.8
	Med	SB 3/4	4S	2.0	1.0
	High	SB 3/4	6S	4.0	3.0
1	Low	SB 3/4	3	1.0	0.8
	Med	SB 3/4	4S	3.0	2.0
	High	SB 3/4	6S	6.0	5.0
1.5	Low	LB 3/4	4L	3.0	2.5
	Med	LB 1/2	4S	13.0	12.0
	High	LB 1/2	6S	19.0	17.0
2	Low	LB 3/4	4L	4.5	4.0
	Med	LB 1/2	4S	20.0	18.0
	High	LB 1/2	6S	25.0	20.0

\* The number = the mil thickness of the blade and letter is S = short, L = long. For example, 4S is a 4 mil short blade. On/Off is estimated in schedule 80 reducing tee.

## Ordering Information



# JJD

JJ DOWNS INDUSTRIAL PLASTICS INC.



416.236.1884

Toronto, ON

JJDOWNS.COM