

# BÁSIKS

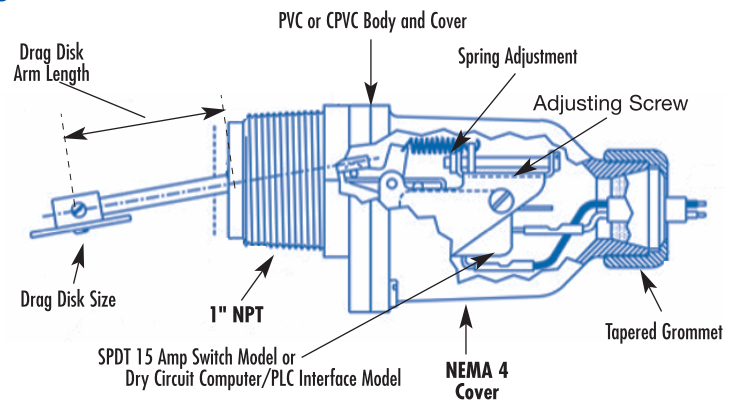
## Adjustable Flow Switch

### Features

- Ideal for confirming operation of pressure relief, regulating or actuated valves
- 8 to 1900+ GPM for 1" to 10" piping
- Continuous flushing of convoluted elastomer seal eliminates particle contamination
- Wetted surfaces of PVC and EPDM Elastomeric Standard (Viton Special Order.)
- Continuous adjustment while operating
- Responds to flow only, independent of line pressure
- SPDT 15 amp switching capacity model or Dry Computer/PLC Interface model
- Simple installation and maintenance using a uncomplicated standard test meter.
- Continuous adjustment while operating via FORCE/BALANCE spring
- Accuracy  $\pm 10\%$  with  $\pm 5\%$  repeatability
- Nema 4 or 6 design



### Design & Materials



Wetted materials are Noryl PPO; EPDM, and EPOCAP 16505 Epoxy.  
Optional Viton seal available.

#### Electrical Switch Characteristics:

- SPDT
- 15 amp, 1/2 hp at 125 or 250 VAC
- UL recognized component
- 10,000,000 Operations Median

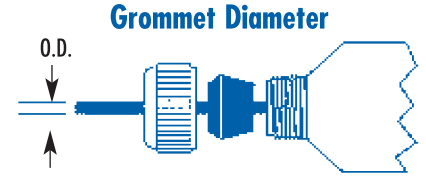
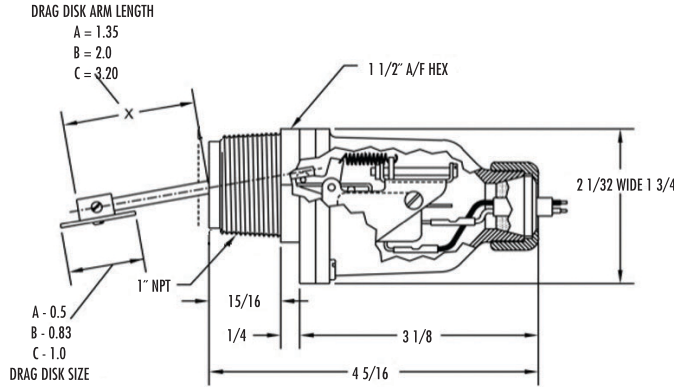
Model FSA can also be fitted with a SPDT Gold Cross Bar Switch for computer/PLC interface.

# JJD

JJ DOWNS INDUSTRIAL PLASTICS INC.

[JJDOWNNS.COM](http://JJDOWNNS.COM)

# Dimensions



# Specifications

## Arm Length / DISC Diameter

Flow Limit Between Which Switch Point May Be Set					
Pipe Size	GPM	Arm Length Disc Diameter	Pipe Size	GPM	Arm Length Disc Diameter
1"	10 - 20	AB	4"	75 - 155	CC
	24 - 32	AA		155 - 310	CA
1.5"	16 - 28	BC	5"	120 - 245	CC
	25 - 50	BA		245 - 245	CA
2"	25 - 50	BC	6"	180 - 350	CC
	50 - 105	BA		350 - 700	CA
2.5"	35 - 80	BC	8"*	300 - 600	
	80 - 155	BA		600 - 1200	
3"	50 - 90	CC	10"*	500 - 950	
	90 - 180	CA		950 - 1900	

\* SPECIAL ORDER: CONSULT FACTORY

Hysteresis (% Flow Change to Activate/Deactivate Switch):

- ~ 10% at upper end of flow range
- ~ 30% at lower end of flow range

Differential Pressure drops across unit  
(Normal Operating Conditions):

- 1" to 3" pipe – less than 0.5 psi
- 4" to 10" pipe – negligible

Pressure/Temperature

Maximum Operating Pressure

(Working Line Pressure) . . . . . 50 PSI/3.4 Bar

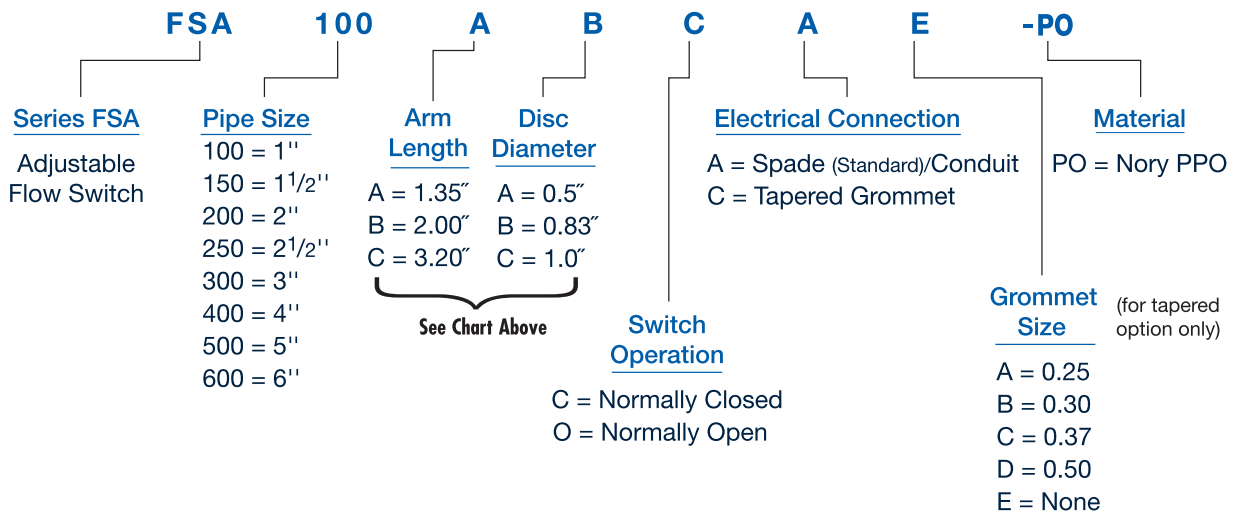
Maximum Non-Operating Pressure

(Static Line Pressure). . . . . 100 PSI/6.9 Bar

Max. Temperature PVC . . . . . 140°F/60°C

Max. Temperature CPVC . . . . . 180°F/82°C

# Ordering Information





**JJ DOWNS INDUSTRIAL PLASTICS INC.**

416.236.1884      Toronto, ON      JJDOWNS.COM



international association  
of plastics distribution