

BÁSIKS

Miniature Thermoplastic Diaphragm Seals/ Gauge Guards

Features / Advantages:

- Diaphragm Seals provide a protective barrier between process fluids and instruments.
- Increase product reliability and reduce system downtime caused by instruments failure.
- $\pm 4\%$ accuracy.
- Simple to fill and install.
- Hermetically sealed uni-body construction avoids possibility of dangerous leaks.
- For highly aggressive or ultra-pure liquids.
- Diaphragm safety – If the instrument is damaged or is removed while the system is pressurized, the diaphragm will automatically seal against leakage to the atmosphere.
- Polypro bodies for excellent chemical compatibility and temperatures up to 185°F (85°C).



Transducer

Materials of Construction

Instrument side (upper housing) is glass-filled polypropylene. System side (lower housing) is natural polypropylene. Diaphragm is available in either Viton® or Buna-N.

Design

Each GGME Gauge Guard features a durable and flexible diaphragm which serves as a protective barrier between the process fluid and instrument. The internal space on the instrument side of the diaphragm must be solidly filled with a suitable liquid in order to accurately transmit the process pressure to the instrument. Diaphragm Seals are designed for a maximum working pressure of 200 PSI (13.8 bars).

Compact size and economy price make the GGME ideal for systems requiring large quantities of pressure gauges, transducers and other small instruments such as pressure switches.

JJD

JJ DOWNS INDUSTRIAL PLASTICS INC.

JJDOWNS.COM

Installation

When Series GGME Diaphragm Seals are purchased with a gauge, install the assembly by simply connecting it to the process piping using PFTE tape or other acceptable pipe sealant to effect a seal. The assembly need only be made hand tight followed by a one-quarter turn more with a strap wrench. Do not overtighten or breakage will result. Do not use pipe wrenches.

When purchased without a gauge, consult Installation Instruction Card provided with each GGME Diaphragm Seal.

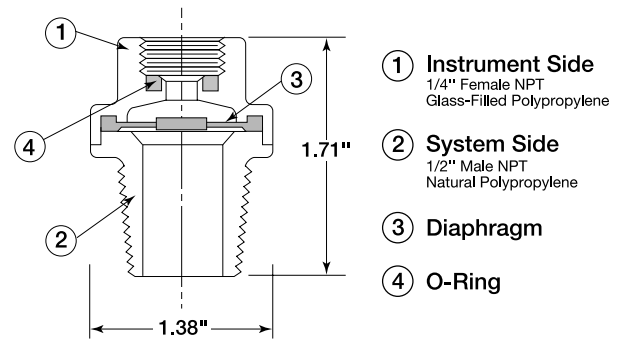
For filling Diaphragm Seals ordered without a gauge, fill liquid is available in 4 ounce bottles.



Suitable for a variety of pressure instruments

| MAXIMUM PRESSURE RATING | | | | |
|-------------------------|-----------|------------|------------|------------|
| TEMPERATURE | | LIQUIDS | GASES | |
| °F | °C | PSI (Bars) | PSI (Bars) | PSI (Bars) |
| 70-100°F | (21-38°C) | 200 (13.8) | 100 (6.90) | |
| 100-185°F | (38-85°C) | 200 (13.8) | 30 (2.07) | |

Maximum Temperature is 185°F



Ordering Information

| Type of Service | Available Gauge Range PSI (Bars) | System Side Materials | Diaphragm Materials | Gauge Guard Part Number |
|--------------------|--|-----------------------|---------------------|----------------------------|
| Pressure or Vacuum | Without Gauge | Natural Polypropylene | Buna-N Viton | GGMEB1-PP GGMEV1-PP |
| Vacuum | NOT FOR USE WITH VACUUM INSTRUMENTS | | | |
| Pressure | 0-15 PSI (0-1.04 Bars) | Natural Polypropylene | Buna-N Viton | GGMEB015-PP GGMEV015-PP |
| Pressure | 0-30 PSI (0-2.07 Bars) | Natural Polypropylene | Buna-N Viton | GGMEB030-PP GGMEV030-PP |
| Pressure | 0-60 PSI (0-4.14 Bars) | Natural Polypropylene | Buna-N Viton | GGMEB060-PP GGMEV060-PP |
| Pressure | 0-100 PSI (0-6.90 Bars) | Natural Polypropylene | Buna-N Viton | GGMEB100-PP GGMEV100-PP |
| Pressure | 0-160 PSI (0-11.04 Bars) | Natural Polypropylene | Buna-N Viton | GGMEB160-PP GGMEV160-PP |
| Pressure | 0-200 PSI (0-13.80 Bars) | Natural Polypropylene | Buna-N Viton | GGMEB200-PP GGMEV200-PP |



JJ DOWNS INDUSTRIAL PLASTICS INC.



416.236.1884

Toronto, ON

JJDOWNS.COM