

Accessories  
Inch/Metric

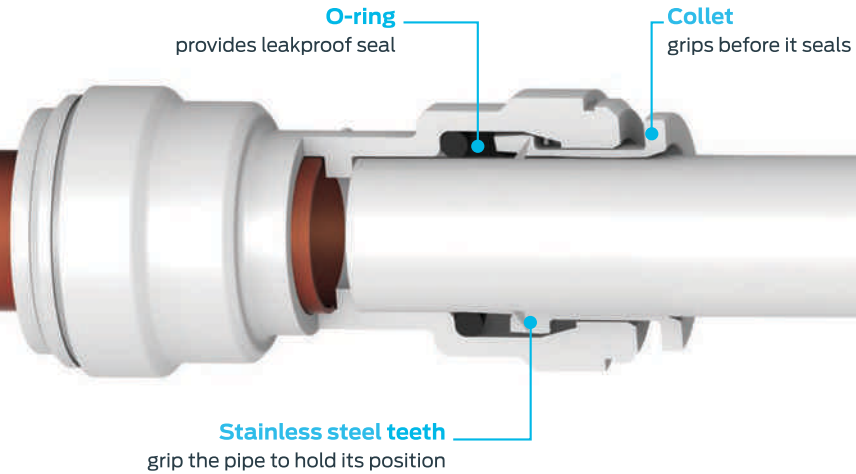
# JJD

## Fluid System Products

Fittings, Valves & Tubing Catalog



# How to make a Push-Fit connection



## To connect

Keep product clean until ready to use. Always pressure test once installed.



### Step 1

Cut the tube square and remove any burrs or score marks. We recommend using a tube insert for soft or thin-walled plastic tubing.



### Step 2

Push the tube into the fitting and up to the tube stop.



### Step 3

Pull on the tube to check that it is secure. Test the system before use.

## To disconnect



### Step 1

Make sure that the system is depressurized, then push the collet square against the fitting. With the collet held in this position, the tube can be removed.



JJ DOWNS INDUSTRIAL PLASTICS INC.

416.236.1884

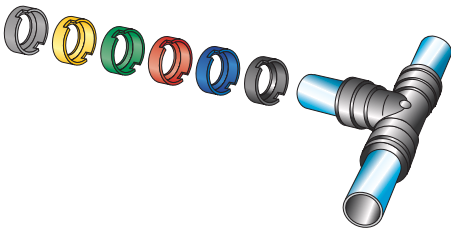
Toronto, ON



JJDOWNS.COM

# Fluid Systems Accessories Inch/Metric

## Collet Cover



The slip-on Collet Cover shown in the illustration prevents accidental removal or tampering with tubing. Tubing can be inserted with the Collet Cover already attached to the fittings or the cover can slide into position afterwards. The cover is easily removed when required and comes in a variety of colors for color coding.

The following suffixes indicate colors available:

E = Black	Y = Yellow	B = Blue
R = Red	S = Gray	G = Green

## Collet Cover - Inch Size

Part Number	Tube OD	Bag Qty	Box Qty
PM1904S	5/32"	10	1000
PI1906S	3/16"	10	1000
PI1908S	1/4"	10	1000
PM1908S	5/16"	10	1000
PI1912S	3/8"	10	500
PI1916S	1/2"	10	500

Please indicate required collet color by suffix, or gray will be supplied.

## Collet Cover - Metric Size

Part Number	Tube OD	Bag Qty	Box Qty
PM1904E	4mm	10	1000
PM1905E	5mm	10	1000
PM1906E	6mm	10	1000
PM1908E	8mm	10	1000
PM1910E	10mm	10	500
PM1912E	12mm	10	500
PM1915E	15mm	100	400
PM1918E	18mm	10	200
PM1922E	22mm	50	200

15mm to 22mm sizes are only available in black (standard), white, red or blue. Please indicate required collet color by suffix, or black will be supplied.

## Locking Clip



Part Number	Tube OD	Bag Qty	Box Qty
PIC1808R	1/4"	100	5000
PIC1812R	3/8"	100	1000
PIC1816R	1/2"	100	2000
PMC1808R	8mm	100	8000



Secures collet in locked position to prevent accidental disconnection of tube. Locking Clips should be connected only after tubing is fully inserted to prevent scraping of the tube. Locking Clips are not designed for use with our Stem Adapters in Swivel Combinations.

## Flow Bend Clip



Part Number	Tube OD	Bag Qty	Box Qty
PM2608S	5/16" (8mm)	10	300
PM2610S	3/8" (10mm)	10	200

Designed to support tube and eliminate kinking

**JJD**

JJ DOWNS INDUSTRIAL PLASTICS INC.



416.236.1884

Toronto, ON

JJDOWNS.COM

**Mounting Clip**  
For Acetal Shut-Off Valves



Part Number	Size OD	Bag Qty	Box Qty
SVMC-06	1/4"	200	200
SVMC-10	3/8"	100	100

Available for 3/8" OD valves  
The mounting clip is designed to give a very firm grip. A twisting action is needed to remove the valve. The clip can be used with either acetal shut-off valve. When used with the short handle version, valves can be banked together.

**Tube Insert**



Part Number	Tube ID	Tube OD	Bag Qty	Box Qty
TSI250S	1/4"	5/16"	10	1000
TSI312S	5/16"	3/8"	100	2500
TSI375S	3/8"	1/2"	10	500
TSM10N	-	10mm	50	1000
TSM15N	-	15mm	50	500
TSM22N	-	22mm	25	250
TSM28N	-	28mm	10	150

**Tube Cutter**



Part Number	Description	Bag Qty	Box Qty
TSNIP	-	1	50
Blades	Blades Only	-	300

Suitable for up to 12mm tube or 1/2" tube

**Pipe Cutter**



Part Number	Bag Qty	Box Qty
JG-TS	1	60

Suitable for up to 22mm pipe or 3/4" pipe

**Collet Locking/Release Tool**



Part Number	Size	Bag Qty	Box Qty
ICLT/2	3/16" to 1/2"	1	50
TSPITool	1/4", 3/8"	10	50



JJ DOWNS INDUSTRIAL PLASTICS INC.



416.236.1884

Toronto, ON

JJDOWNS.COM