

4" COMPACT BALL VALVE

SPECIFICATIONS:

Sizes: 4"
Body & Socket: PVC
O-Rings: FPM
Ball Seats: PTFE

Max Operating Pressure:

100 PSI @ 70 F

Valve Ends:

- solvent cement socket
- threaded



Features:

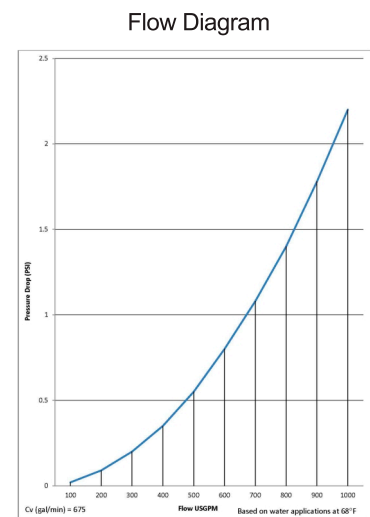
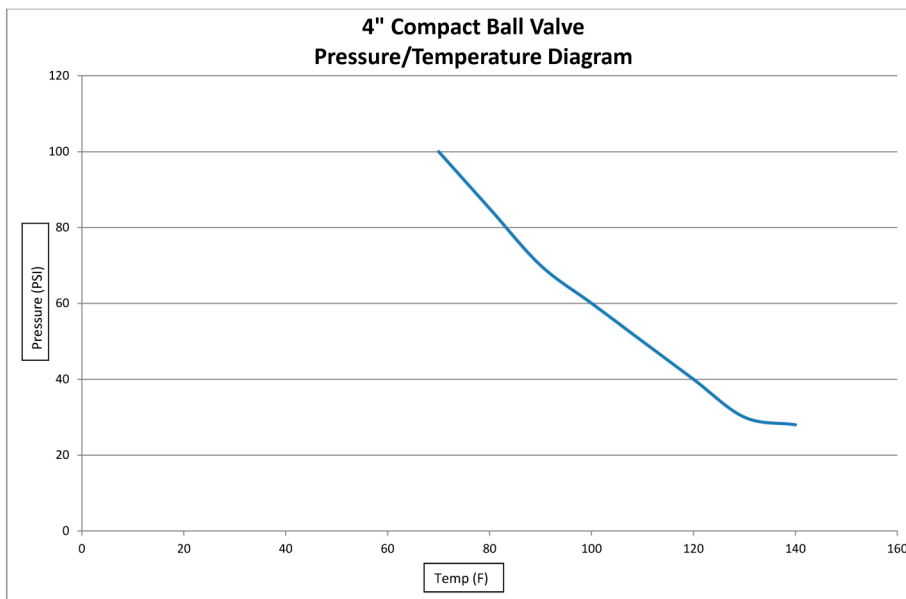
- ✦ wide throat to maximize flow through
- ✦ removable handle
- ✦ stem is 1 1/2" hex allowing valve to be operated with a wrench or socket if needed
- ✦ factory set tension ring to optimize seal
- ✦ o-ring behind each ball seat to act as a cushion
- ✦ double stem o-ring for positive seating and durability even in the harshest environments
- ✦ teflon ball seats to reduce friction for easier on-off operation
- ✦ bi-directional flow ensures error-free installation
- ✦ service temp of body rated to 140 F

Sample Specification:

The 4" Compact Ball Valve combines all of the desired features of high-quality ball valves with the durability required to perform under adverse conditions. This ball valve was designed for mining applications and utilizes the highest quality components for reliable operation in copper, gold, silver and other mining uses. Being able to perform with superior performance in the mining industry also makes it suitable for a wide range of other applications.

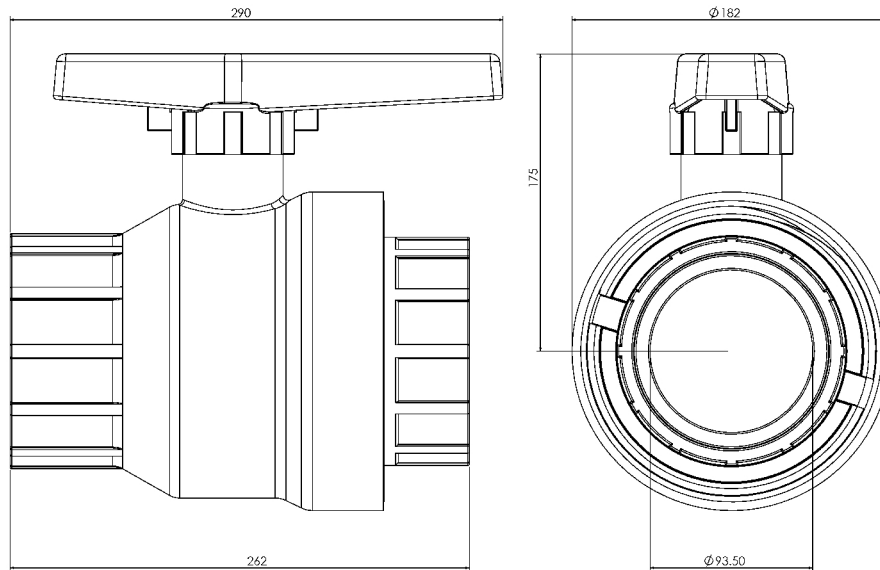
Ordering Information:

MODEL NUMBER	DESCRIPTION
400-ES00	4" COMPACT BALL VALVE SLIP SKTS
400-ES00T	4" COMPACT BALL VALVE THRD SKTS



4" COMPACT BALL VALVE

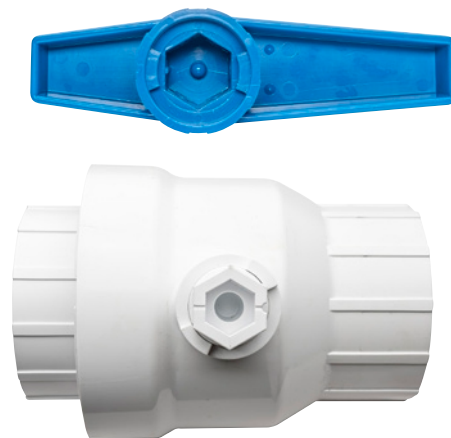
Dimensions are in Millimeters



While other Ball Valves have a narrowed passage, the Netafim Ball Valve has a wide throat and clear pathway. This maximizes flow through when installed along a pipeline and increases flushing performance when installed on line ends.



The solid one piece handle can be easily removed or replaced without tools. The 1 1/2" internal and 1" external hex shape of the stem allows the valve to be operated with a wrench or socket if the handle is removed.



JJD

JJ DOWNS INDUSTRIAL PLASTICS INC.



416.236.1884

Toronto, ON

JJDOWNS.COM