

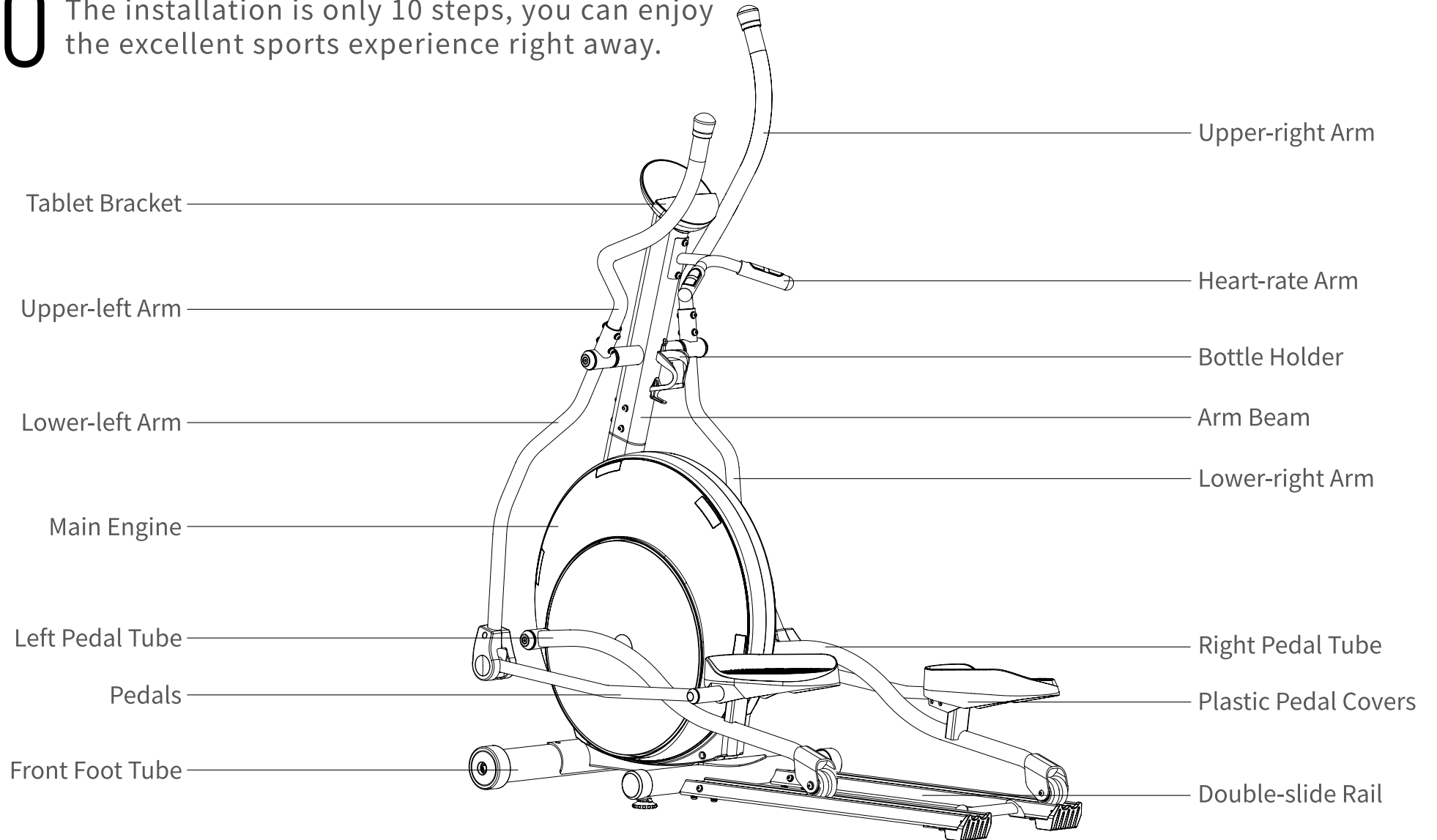
mobifitness

Intelligent Elliptical Trainer Regulus

User Guide

Product Installation

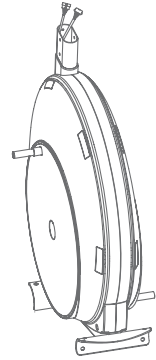
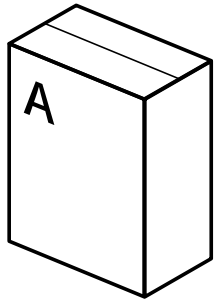
10 The installation is only 10 steps, you can enjoy the excellent sports experience right away.



Tips of install

Please check out the 2 packages to make sure no parts missing.

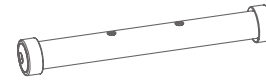
Parts in package A:



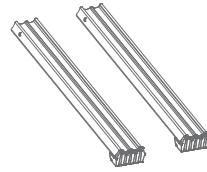
Main Engine *1



back stabilizer*1



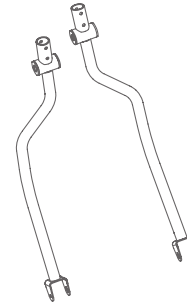
Front Foot Tube*1



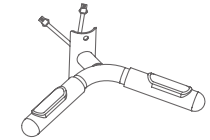
rails*2



rail connector*1

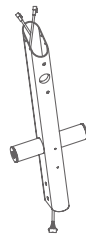
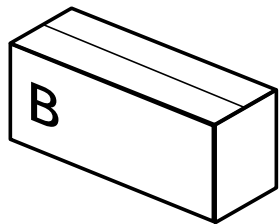


Lower Arm*2

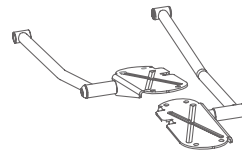


Heart Rate Arm*1

Parts in package B:



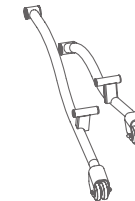
Arm Beam*1



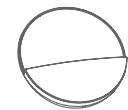
Pedal*2



Upper Arm*2



Pedal Tube*2



Tablet Holder*1



Central Axis*1



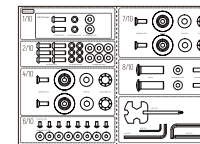
Plastic Pedal Cover*2



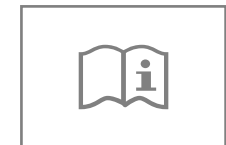
Bottle Holder*1



Lower Arms' Decorative Cover*2

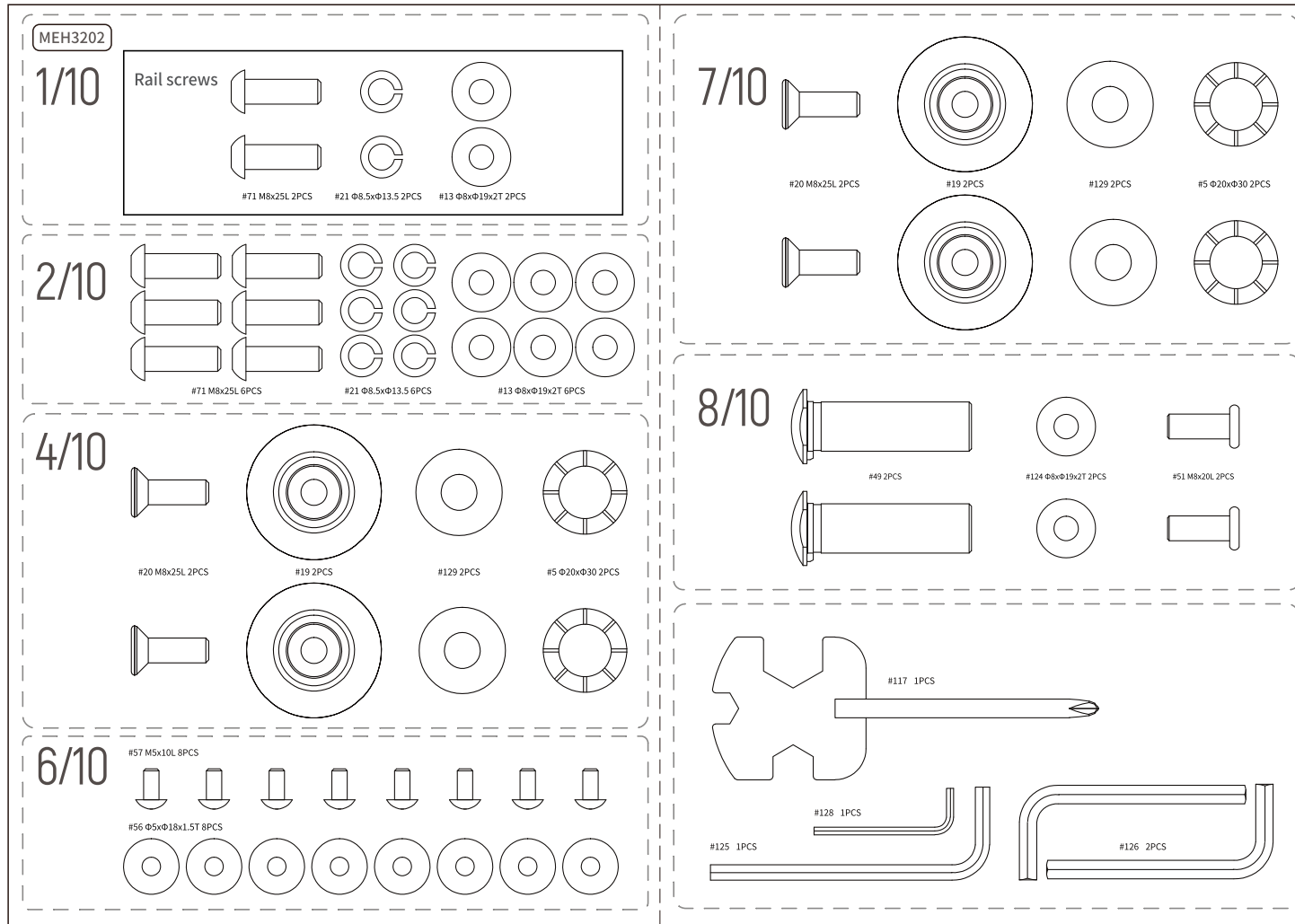


Toolkit*1



User Guide*1

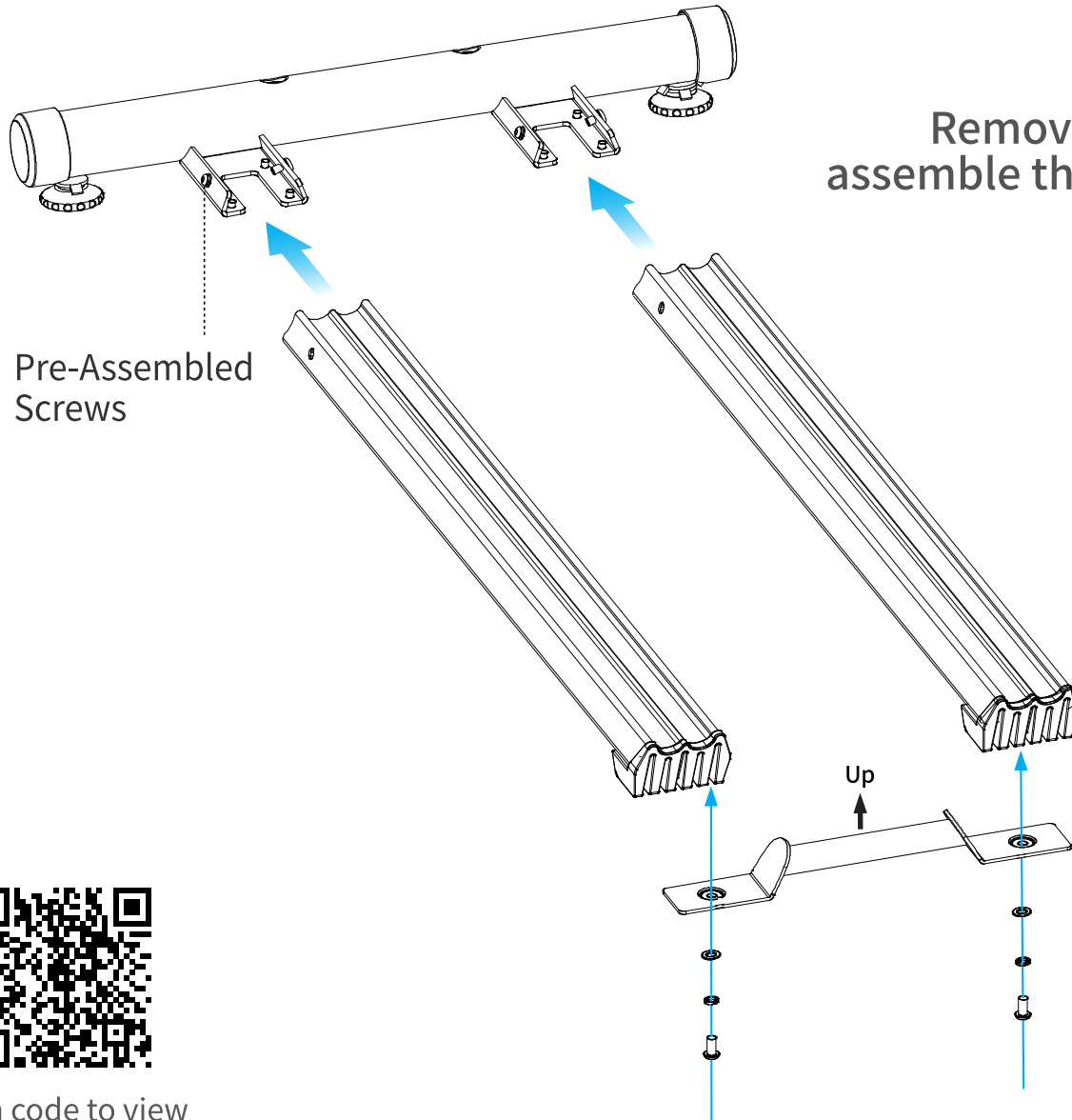
MEH3202 TOOLS



Please use the corresponding number in the installation procedure

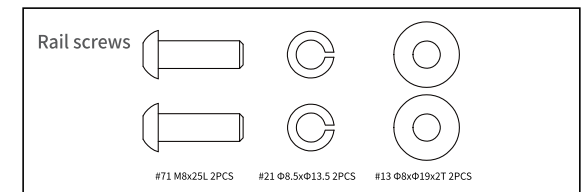
1/10

Remove the Pre-Assembled screws , then assemble the rails and tighten the screws back.

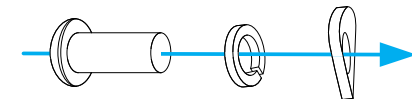


Pre-Assembled
Screws

Take out the handle,
tighten the rail connector



note the position of the screws as shown:



MEH3202 TOOLS

#71 M8*25L 2PCS

#21 Ø8.5*Ø13.5 2PCS

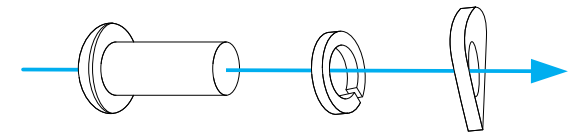
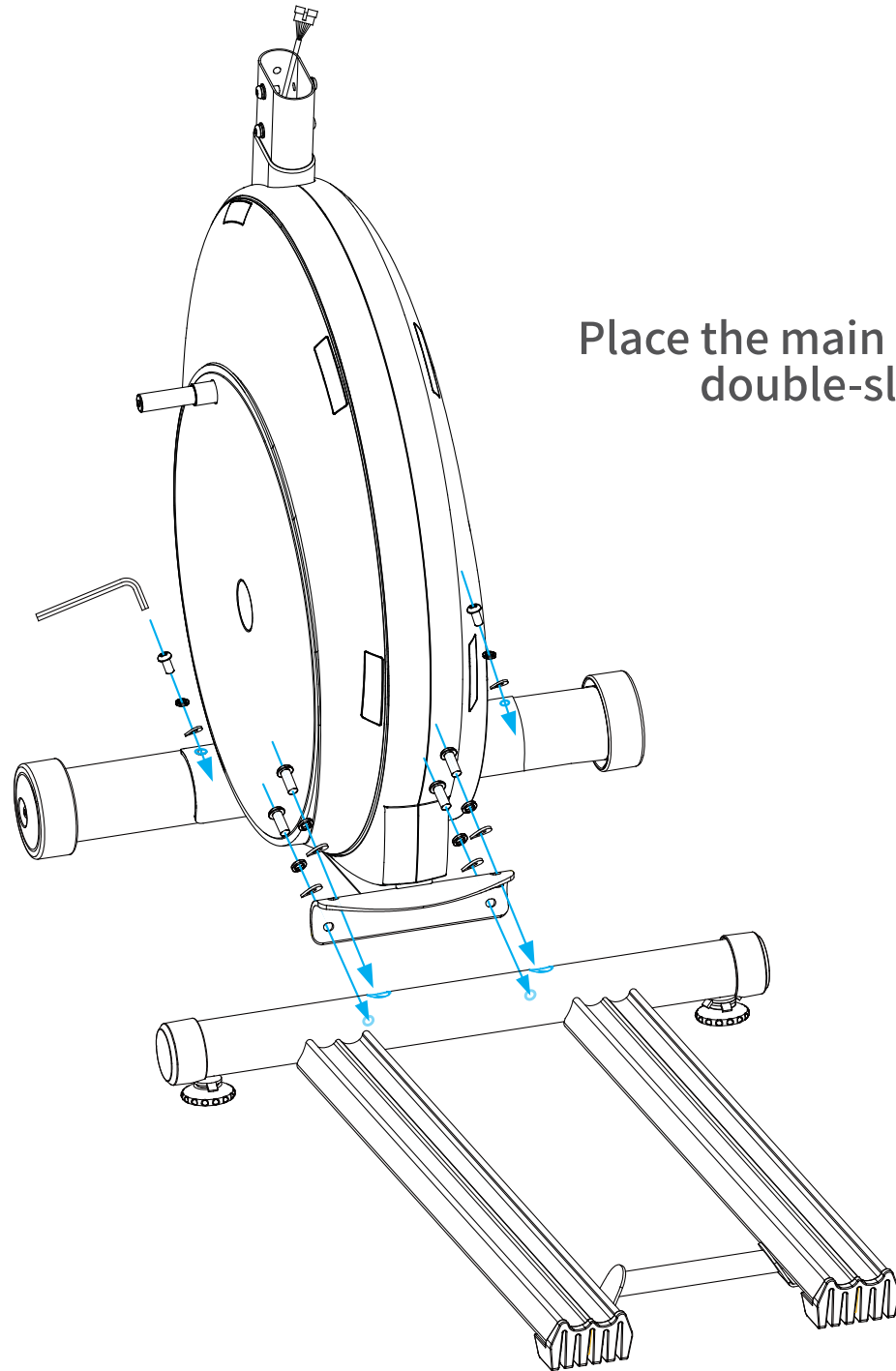
#13 Ø8*Ø19*2T 2PCS



Scan code to view
the installation video

2/10

Place the main engine on the front foot tube and double-slide rail; install and tighten the six groups of screws.



Scan code to view
the installation video

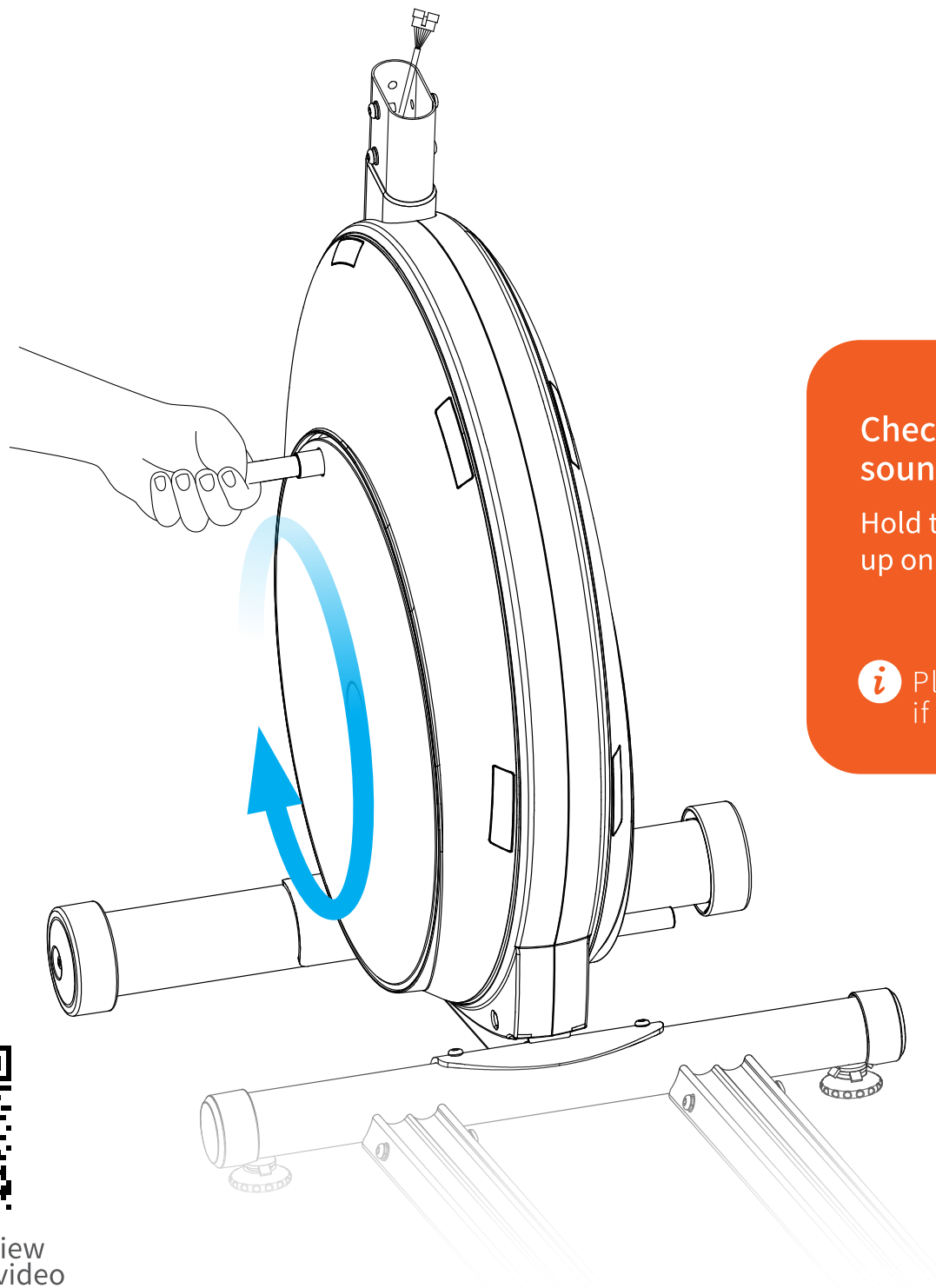
MEH3202 TOOLS

#71 M8*25L 6PCS

#21 Ø8.5*Ø13.5 6PCS

#13 Ø8*Ø19*2T 6PCS

Inspection 1



Check if round disc has abnormal sound?

Hold the shaft and rotate 3-4 circles to check up on the abnormal sound.

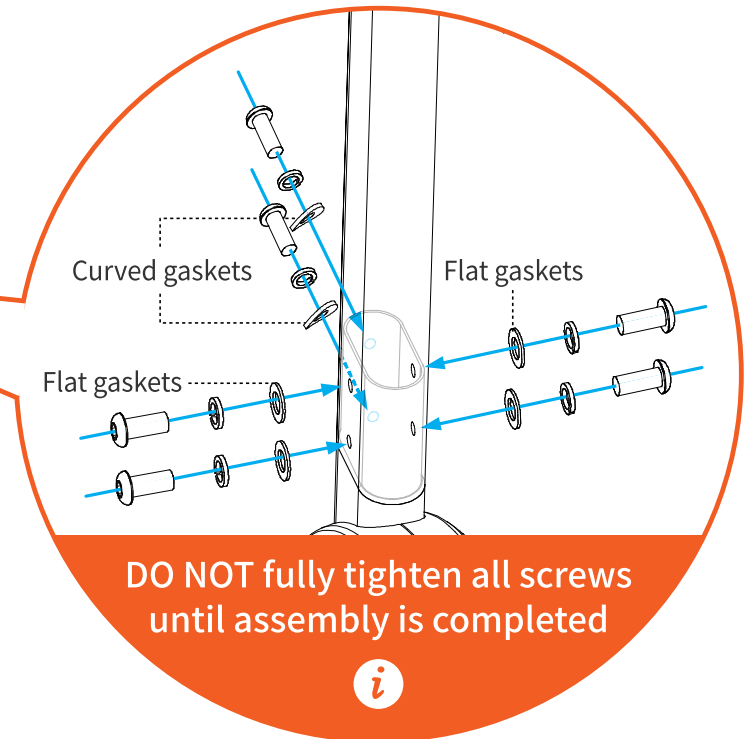
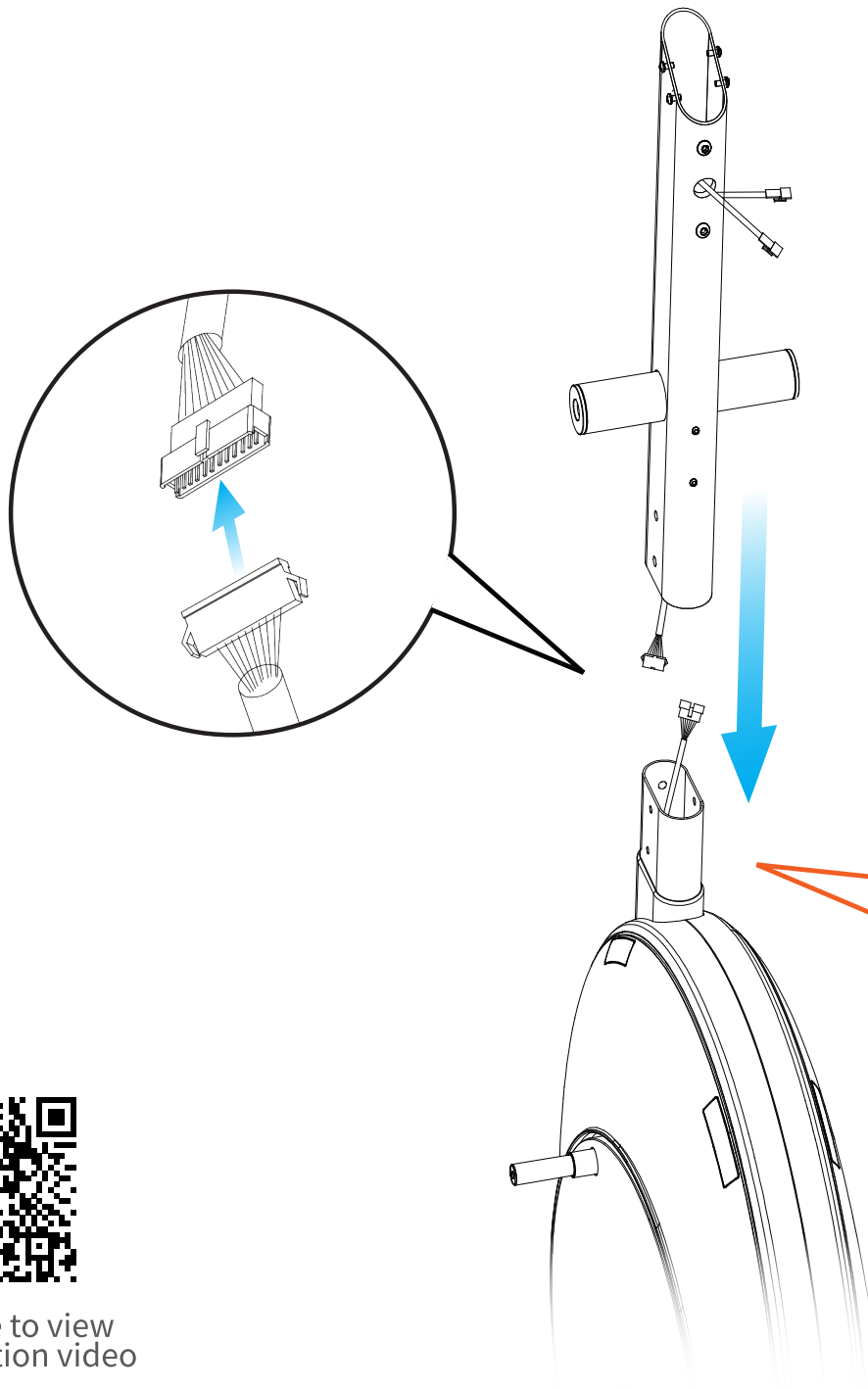
 Please contact service @mobifitness.com if there is any abnormal noise.



Scan code to view
the installation video

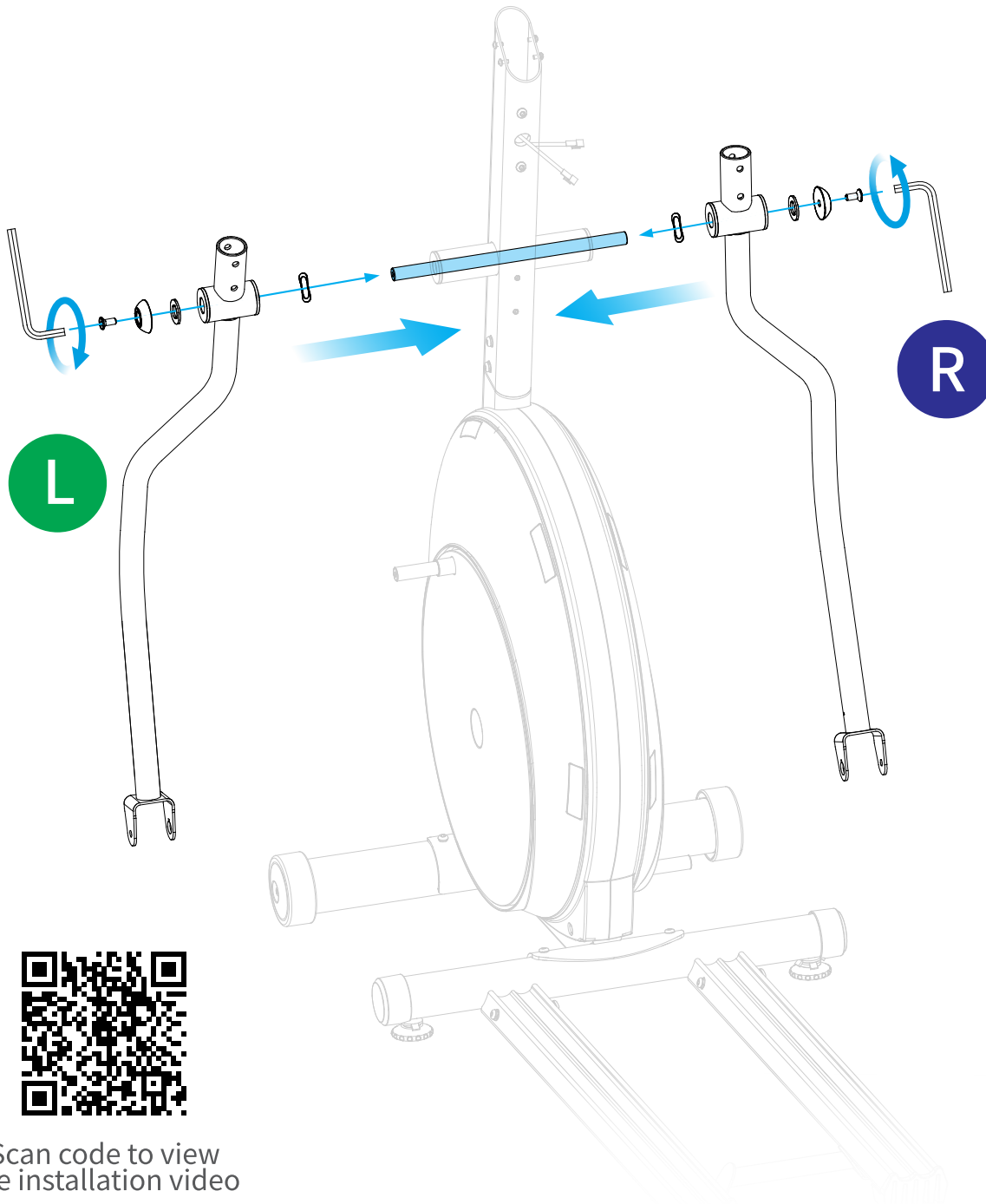
3/10

Remove the Pre-Assembled screws;
connect the data cables, and install the
arm beam as well as the screws.

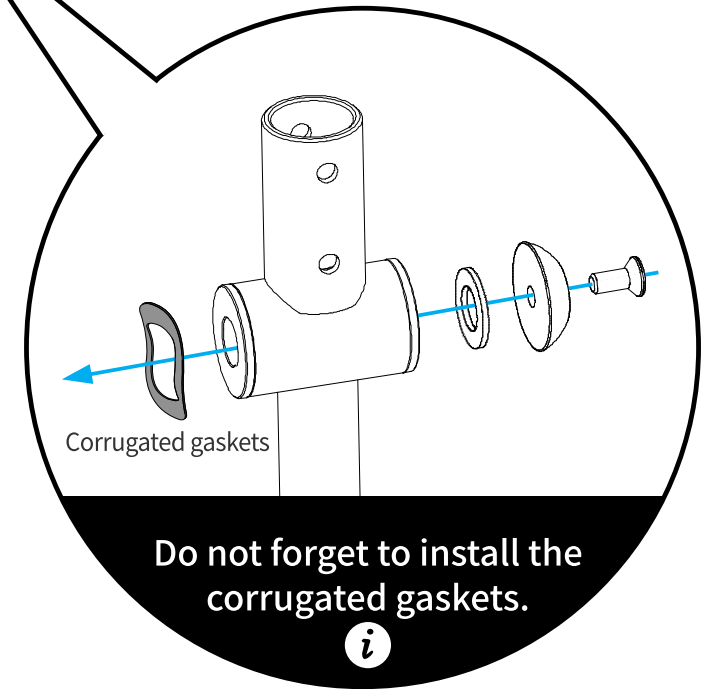


Scan code to view
the installation video

4/10



Insert the central axis, the lower right and left arms. Rotate the wrench to lock the screws on both sides at the same time.



MEH3202 TOOLS

#20 M8*25L 2PCS

#5 Ø20*Ø30 2PCS

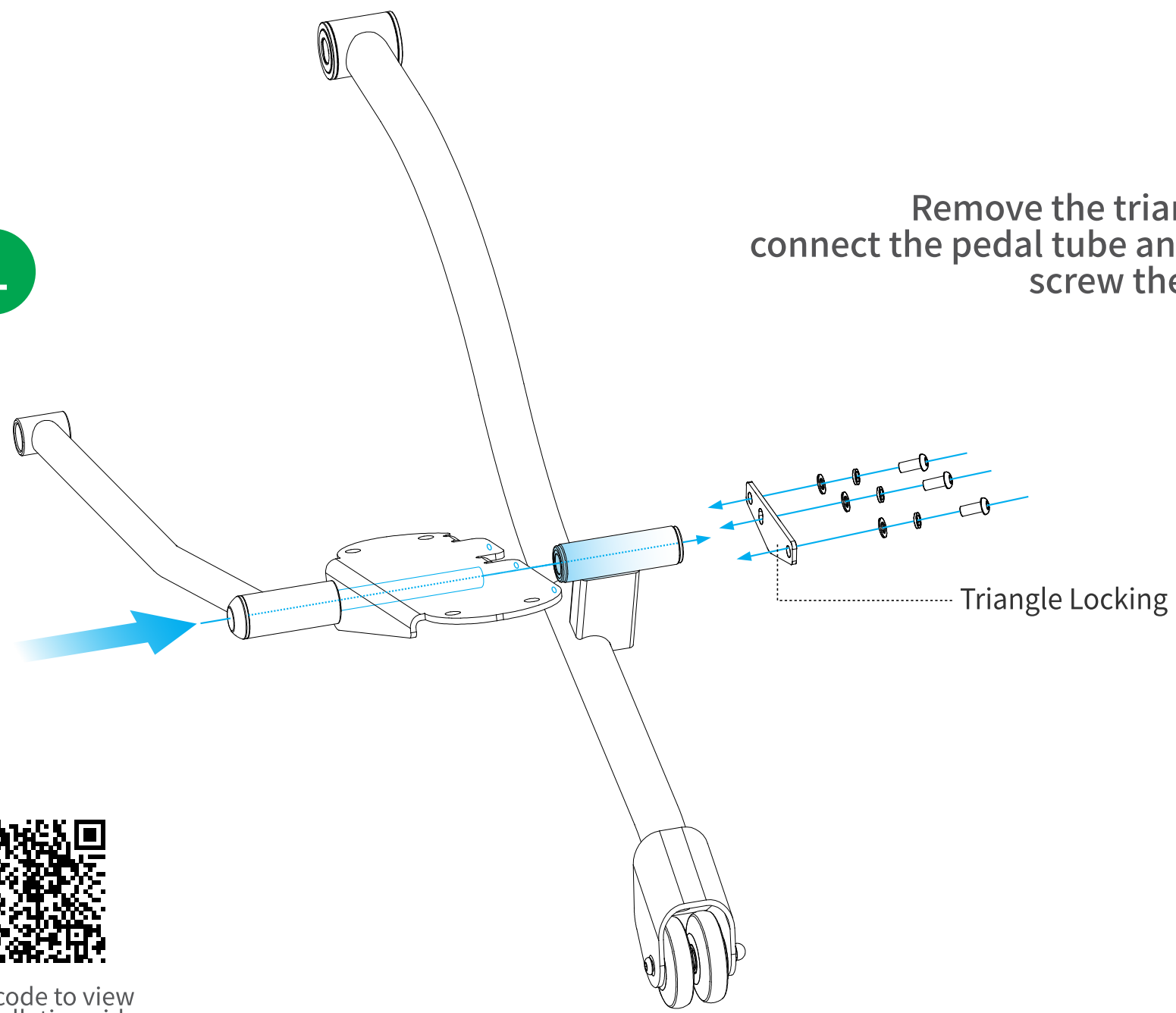
#19 2PCS

Scan code to view
the installation video

5/10

Remove the triangle locking ;
connect the pedal tube and the pedals ;
screw the locking back.

L

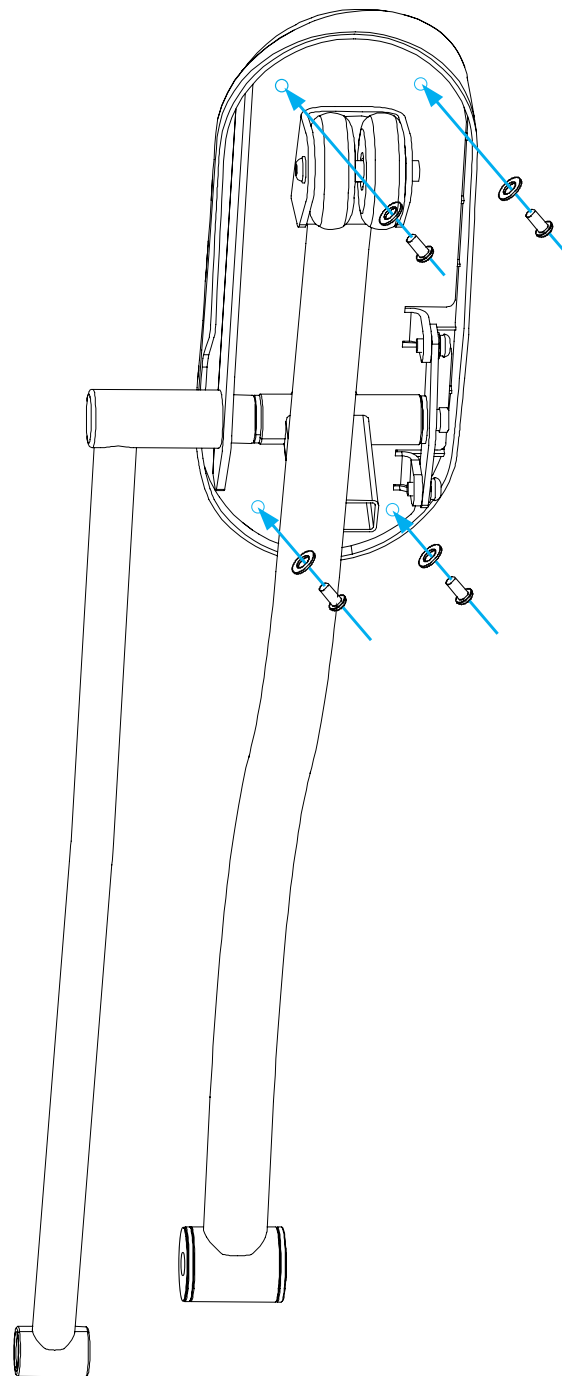
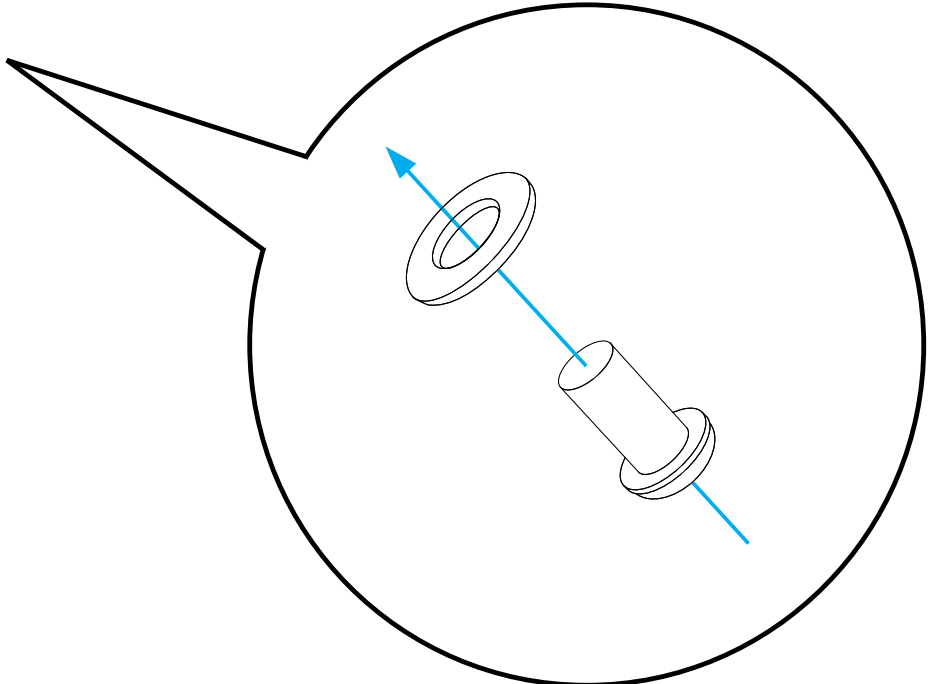


Scan code to view
the installation video

6/10

Install the plastic pedal cover, tighten four sets of screws on the left and right sides.

i Turn the pedal 180° and install it from the bottom.



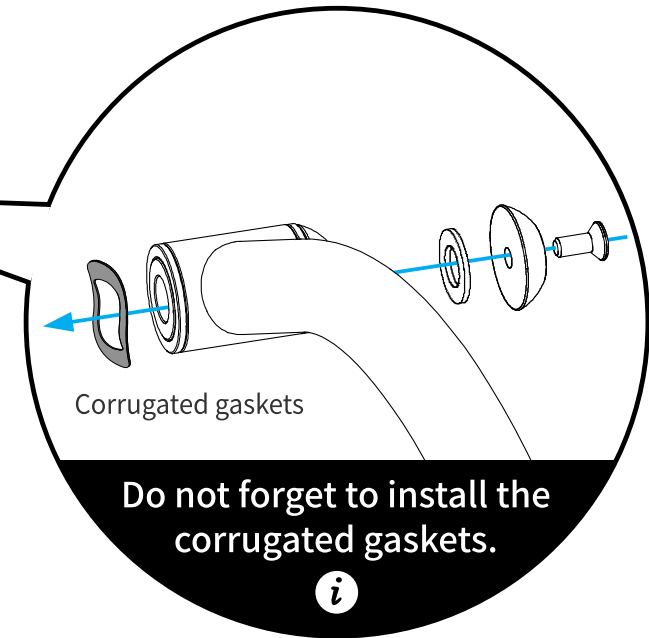
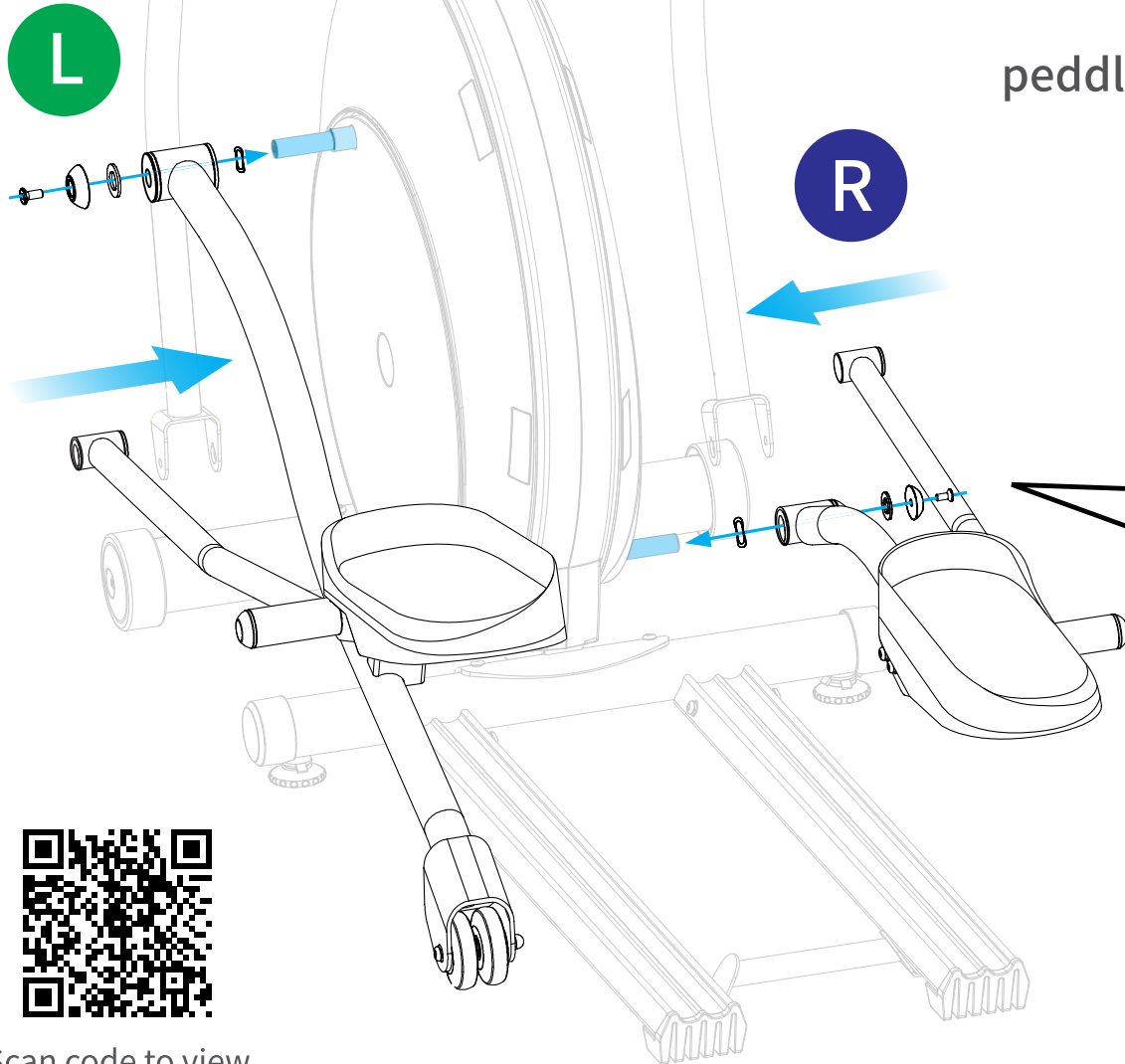
Scan code to view the installation video

MEH3202 TOOLS	
#57 M5*10L 8PCS	#56 \varnothing 5* \varnothing 18*1.5T 8PCS

7/10

Connect the assembled left and right peddles with the main machine, install and tighten the screws.

i While insertion, lift the pedal tube and shake shaft up and down to install the central axis.

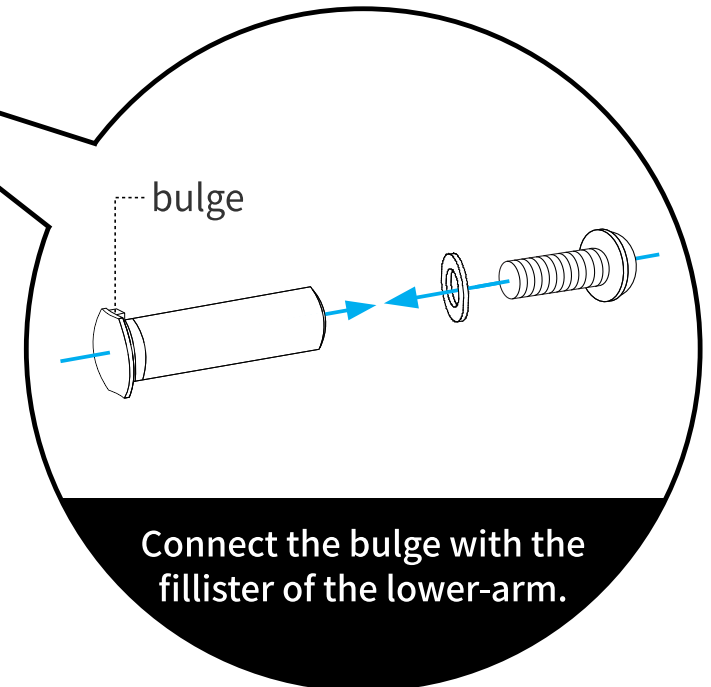
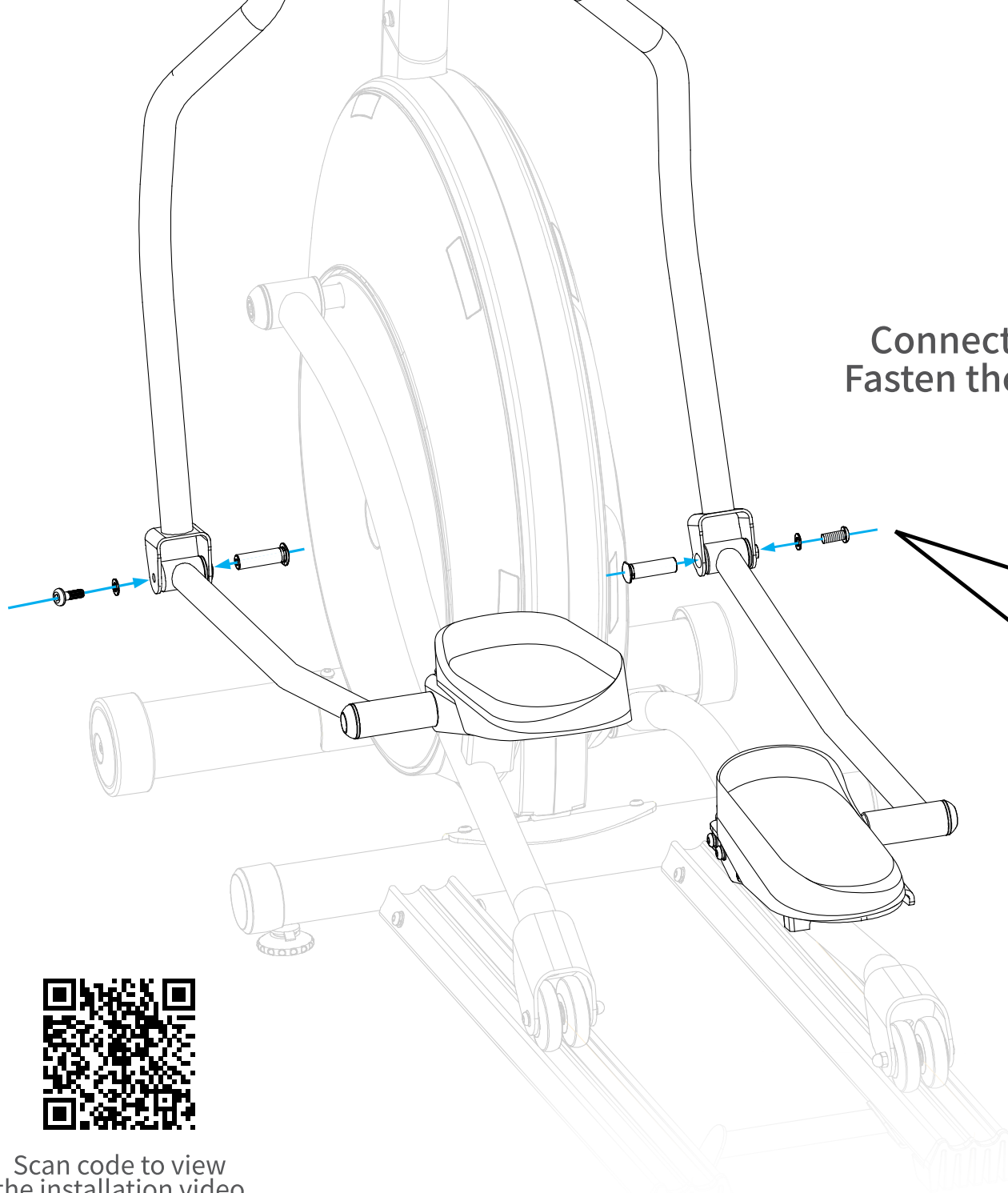


Scan code to view the installation video

MEH3202 TOOLS		
#20 M8*25L 2PCS	#5 Ø20*Ø30 2PCS	#19 2PCS

8/10

Connect the lower-arm with the peddles.
Fasten the buckles and tighten the screws.



Scan code to view
the installation video

MEH3202 TOOLS

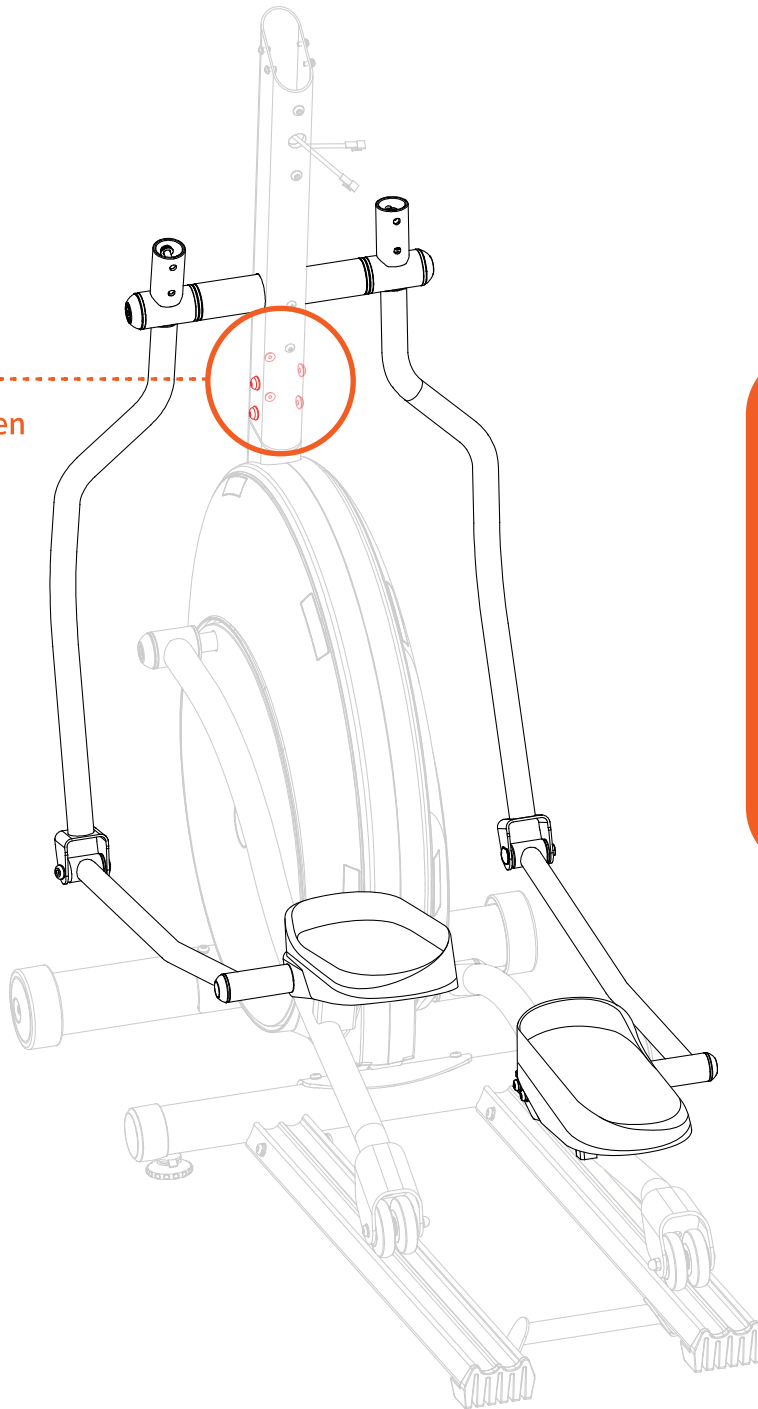
#124 $\varnothing 8 \times \varnothing 19 \times 2T$ 2PCS

#49 2PCS

#51 M8*20L 2PCS

Inspection 2

Caution:
After the inspection2 then
tighten the screws.



Check up on the machine again and
make sure there is no abnormal from it.

Walk on the pedals 3-4 times and make sure
there is no noise from the machine ; after the
inspection 2, then tighten the screws.

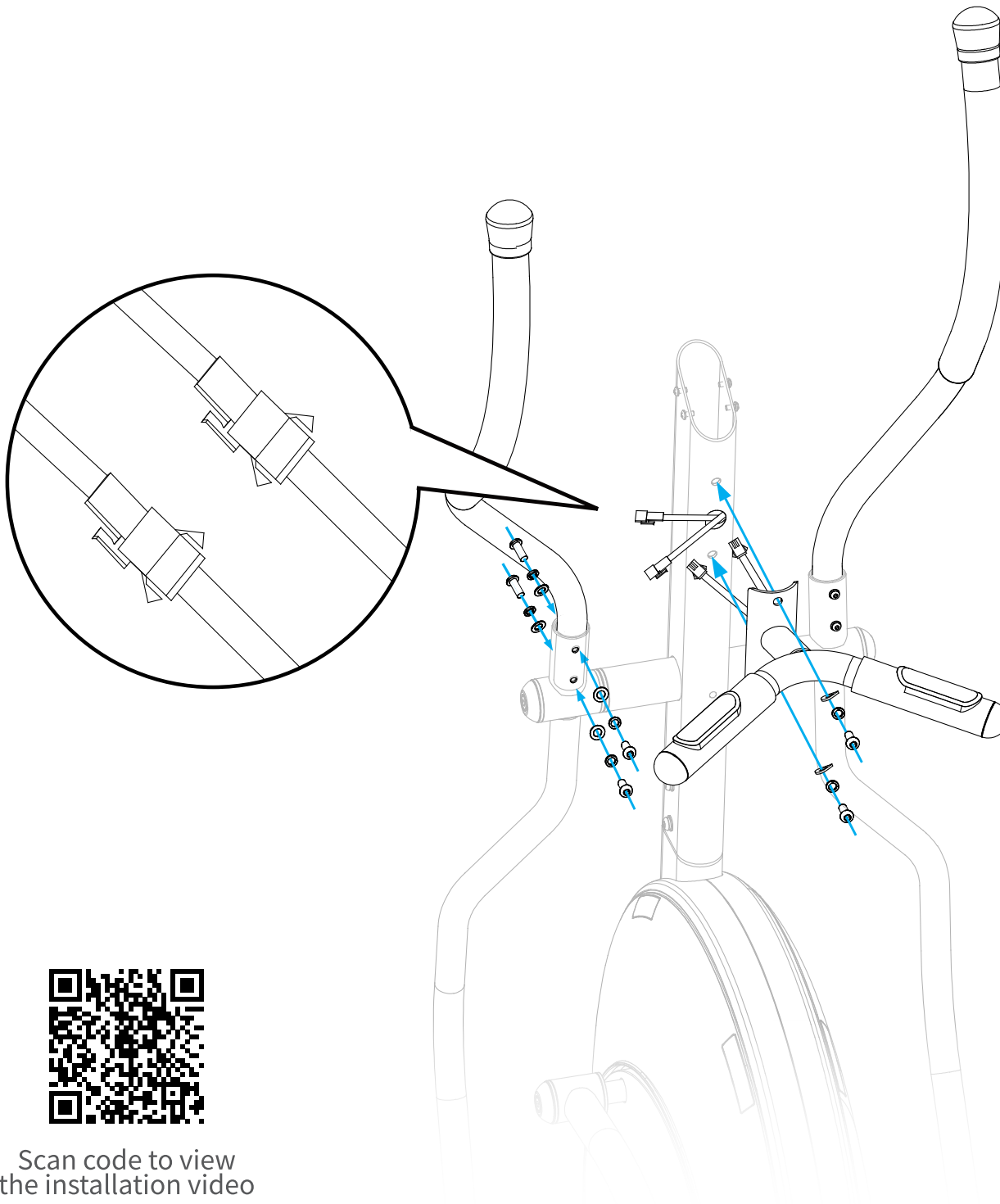
 Please contact service@mobifitness.com
if there is any abnormal noise.



Scan code to view
the installation video

9/10

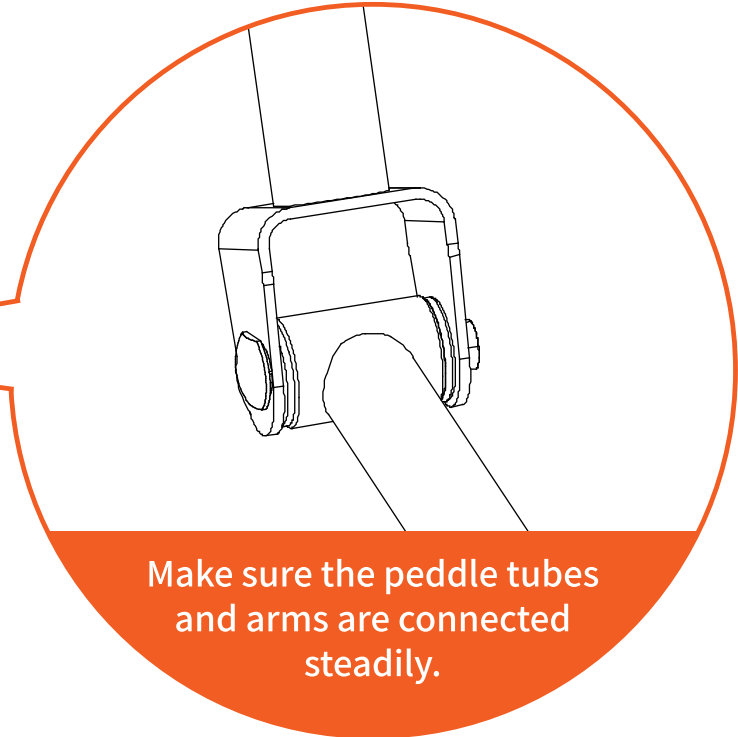
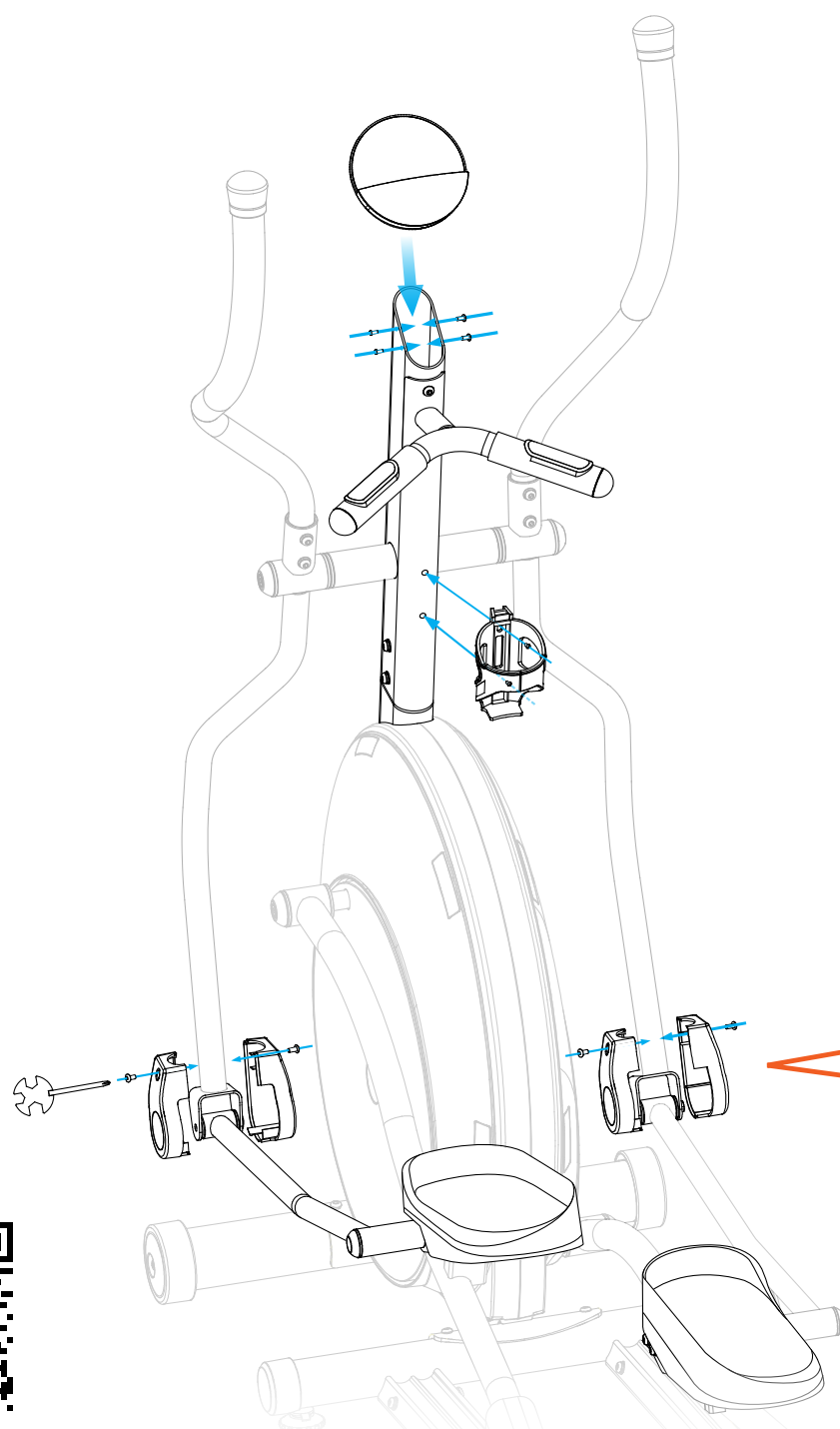
Connect the heart-rate wire, install the heart-rate arm, and the upper left and right arms.



Scan code to view
the installation video

10/10

Install the tablet holder, bottle holder, and the left and right covers.



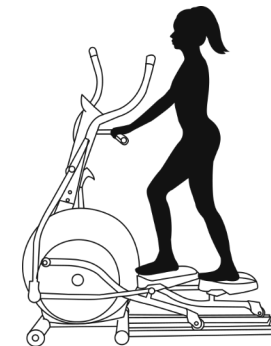
Scan code to view
the installation video

Congratulations, the installation is successful!

Before starting doing sports, please complete the following operations



Download
mobifitness - Home Workout App



Learn
standard postures



 Download mobifitness - Home Workout App, and you will get more surprises!

Matters needing attention

1. Before starting to use the equipment, you should consult your doctor for advice.
2. All owners of the products should shoulder the responsibility to ensure that all equipment users fully understand all warnings and precautions.
3. The users whose weight is more than 120kg are not allowed to use this equipment.
4. Children under the age of six are not allowed to use this equipment, and children over the age of six should use it under adults' supervision.
5. Cultivate the standard postures to use the elliptical training machine.
6. It should be placed on a flat surface with 60% space on the back and sides. Do not place this equipment in any place that blocks air circulation.
7. Elliptical machine has inertia, and it is easy to cause sports injury when it suddenly ends at high speed. Users should slow down and wait for the machine to stop slowly before getting off the elliptical machine!

8. Make sure that the product is placed in a safe place, such as the room corner or leaning against a wall.
9. Wear appropriate sportswear while using the machine. Do not wear loose clothes which may be trapped inside the equipment. Wear sports shoes. Barefoot, socks and sandals are prohibited.
10. Do not point or insert fingers into the double-slide rail, or into any moving parts of the machine which may cause injury.
11. If users feel any pain or dizziness during the exercise, stop immediately and do relaxation exercises.
12. The company reserves the rights to improve the pictures, App contents and technical parameters; if changes are made, please be kind if users are not notified.

Maintenance

1. Checking the fastened parts

After using the elliptical machine, please check whether the screws are loose, which may cause abnormal noise. If there is any looseness, please retighten the screws.

Recheck these parts every six months.

2. Maintenance

After using the elliptical machine over six months, please add oil to the screws to keep the joint parts smoothy (cream oil).

3. Keep it in flat place

Please use it on a flat surface to avoid shaking and unexpected worn-out. If the machine base is found uneven, rotate the four foot pads attached to the ground, so that the machine is not shaking left and right, back and forth.

4. Check the double-slide rail

Check whether there is dirt and debris on the roller and slide rail.


Caution: Foreign matter will hinder the normal operation of the roller and slide rail, and it will destroy their surfaces. Regular wipe with wet tissue is suggested, so that the wear rate of roller and slide rail will be reduced.

5. Lubricate the roller

It is recommended to add the liquid transparent lubricating oil of treadmill to the rubber ring between rollers regularly.

6. Check the feed direction of the roller

Please check whether the roller is centered on the track. If it deviates from the direction, loosen the two screws at the bottom of the slide rail, step on the machine for about 20 circles to correct, and then tighten the screws.

 This product is designed accustomed to the home scene with no more than 25 hours per week, and it is not suitable for the joint use of health clubs, health rooms and other commercial occasions.

Usage and Warranty

- 1.This warranty right is not transferable.
- 2.The effective warranty period is one year after purchasing the product.
- 3.The product is repaired for free within the warranty period after purchase (appearance is not covered by warranty).
- 4.In order to use the warranty service, please provide the purchase invoice and warranty card.
- 5.The purchase time is subject to the delivery time of the product.
- 6.The following situations are not covered by the warranty, and only paid maintenance services are provided (workers' working hours fee and material fee):
 - (a)All types of damages caused by human factors. Including the damages caused by improper use under irregular working environment, failure to follow the product instructions, etc.;
 - (b)Disassembly, maintenance, modification or third-party disassembly, modification and maintenance without the authorization of the company;
 - (c)Damages caused by poor transportation by customers themselves after purchase;
 - (d)Damage caused by other irresistible force (such as flooding, fire, lightning strikes and earthquakes, etc.);
 - (e)Please refer to the national unified price for the service charge standard: 150 in urban area and 200 in suburban area.

Warranty Card

Seller information:

Company name:

Sales period:

Contact number:

Sales address:

special seal for
product quality
assurance:

Maintenance records:

Date of Maintenance	Failure Descriptions	Repair Descriptions	Date Repaired	Repairer

Enterprise information:

MO TECHNOLOGIES CO.,LTD

Company address: 4F, No.1228 Zhongnan Road, Huang Puqu District, Shanghai

Manufacturer: Zhejiang Arcana Power Sports Tech. Co., Ltd.

Manufacturer address: No.618 Xinxing Avenu Zonghan street CixCty Ning City Zhejiang Province,China

Company website: www.mobifitness.com

Customer service: service@mobifitness.com

Basic parameters

Product name: mobifitness intelligent elliptical machine Regulus

Model: MEH3202

NET Weight: 72kg

Maximum load: 120kg

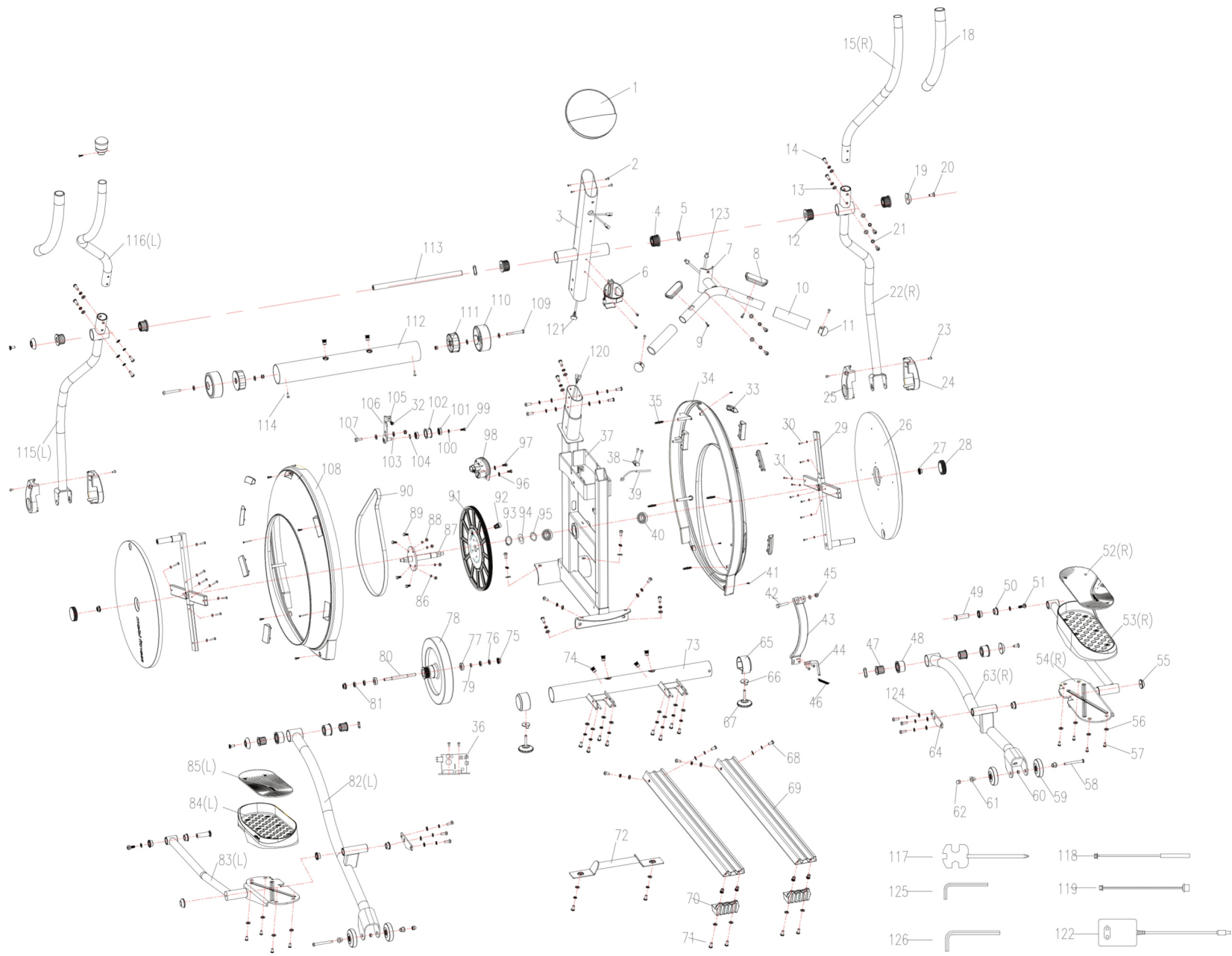
Packing A size: 30.2*15*38 inch (78*38*96.5cm)

Packing B size: 43*17.7*13.3 inch (109*45*34cm)



Product parameters will be slightly different due to different test tools, specific test environments and specific versions. Please refer to the actual situation.

Demonstrated figures are functional intent, and not the actual structure. Please refer to the real product as the final one. Due to the change of product batch and supply factors, in order to provide accurate product information, specification parameters and product characteristics, our company may adjust and revise the descriptions and pictures to match the actual product performance, specification, index, accessories and other information. In case of any necessary modification and adjustment mentioned above, no special notice will be given.



mobifitness

MO TECHNOLOGIES CO.,LTD

Company address: 4F, No.1228 Zhongnan Road, Huang Puqu District, Shanghai

Manufacturer: Zhejiang Arcana Power Sports Tech. Co., Ltd.

Manufacturer address: No.618 Xinxing Avenu Zonghan street CixCty Ning City Zhejiang Province,China

Company website: www.mobifitness.com

Customer service: service@mobifitness.com