

Safety Precautions

KR

EN

CH

JP

The following procedures ensure the safety of the user and the prevention of property damage. Read the following carefully before using, and be sure to use the product correctly.



Warning: Failure to comply with the following may lead to serious injury or death.



Caution: Failure to comply may lead to injury or property damage.

- Do not touch the power plug while hands are wet, as this may cause electrical shock.
- If smoke or a strange odor emits from the product, immediately turn the device off and remove the USB cable, then contact the service center.
- Take care not to damage the internal battery. A damaged internal battery is an explosive hazard.
- When charging the product, be sure to use the enclosed power cord. Failure to do so may cause the product to malfunction.
- Do not attempt to take apart, repair or modify the product, as this may cause the product to malfunction.



KR

EN

CH

JP

- Do not apply excessive force or drop the product, as this may cause the product to malfunction.
- Do not let water enter the product, as this may cause the product to malfunction.
- Do not pull the heat emitters unnaturally. This may damage the product.
- Do not wear contact lenses when using the product.
- Do not use the product immediately after using eye drops.
- Users that have undergone eye surgery or are suffering from an eye disease must consult an ophthalmologist before using this product.
- Users currently undergoing skin treatment and/or are suffering from a skin condition must consult with their doctor before using this product.
- Users who are sensitive or insensitive to temperature, have delicate skin, and/or are suffering from a physical condition must use the product with caution due to risk of low-temperature burns.
- Refrain from using on children, as they are sensitive to high temperatures.
- Users who are pregnant, nursing or menstruating should limit use of this product as much as possible, as use of this product may destabilize hormonal balance and negatively affect skin.
- Do not use the product for any purpose outside of those specified.



Included Components

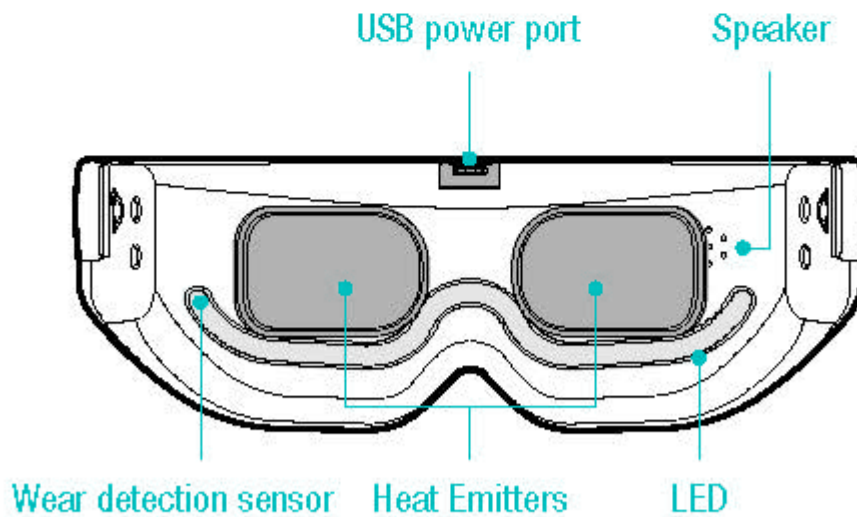
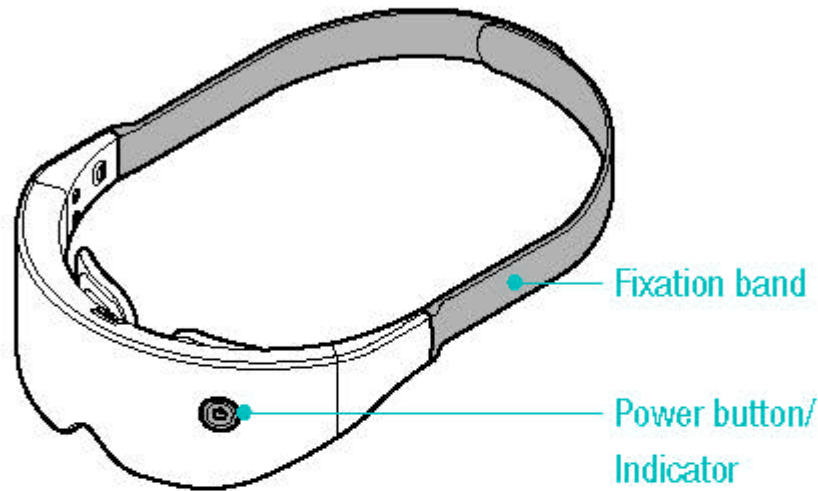
Check the components included in the product package. Being aware of the individual components is useful when confirming product usage.

KR

EN

CH

JP

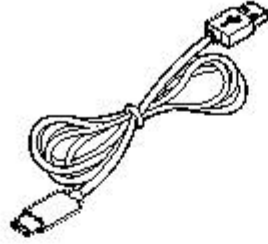


KR

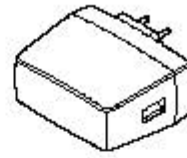
EN

CH

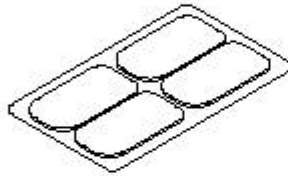
JP



Power cable (USB-C)



Power adapter



Silicone pad, 4 ea



Pouch



Do not throw away the product box. If the product will not be used for an extended period of time, the product should be safely stored in the product box.

Product Usage

KR

EN

CH

JP

Usage

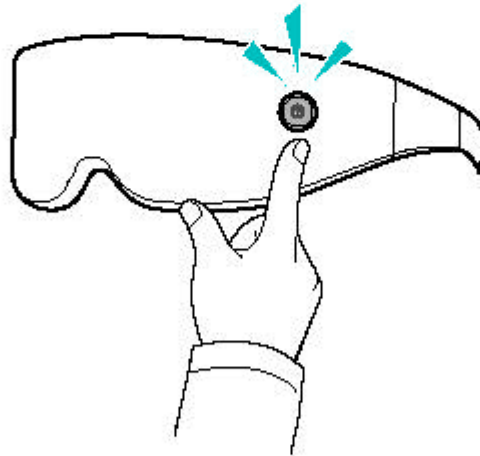


When using product for the first time, be sure that the product is charged.



- Find a comfortable position on a couch or bed while using the product.
- Avoid intense actions while wearing the product.
- Product does not operate while charging.

1. Hold the power button. At the sound of the tone, the device will turn on.

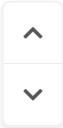
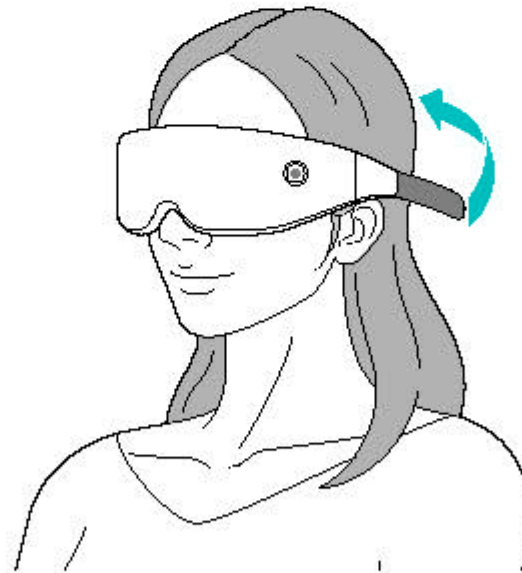


- KR
- EN
- CH
- JP

2. After hearing the audio message, press the power button to set the mode.

Times Pressed	Indicator	Audio Message	Mode
1	Green	Heating & Lighting	Exfoliation & Skin Care
2	Red	Heating	Heat Therapy
3	Blue	Lighting	Skin Care

3. Close your eyes and place the heat emitters over your eyelids, then fasten the velcro.



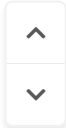
 Do not adjust the fixing band too tightly. This may cause excessive pressure on the eyes.

4. The device will soon play an audio message and activate according to the configured mode. After 15 minutes, an audio message will play and the product will turn off.

- Briefly press the power button to pause the device. Press the power button again to resume.
- Hold the power button to turn the device off.

- The heat-emitters can reach up to 38 °C. If the heat emitters are too hot on your face, attach the silicone pads before using.
- ✓ • The device will pause if the user is too far away from the device or the device is removed from your face. Putting it back on will resume the device.
- If the device is paused for 20 seconds or more, the device will power off.

- KR
- EN
- CH
- JP



KR

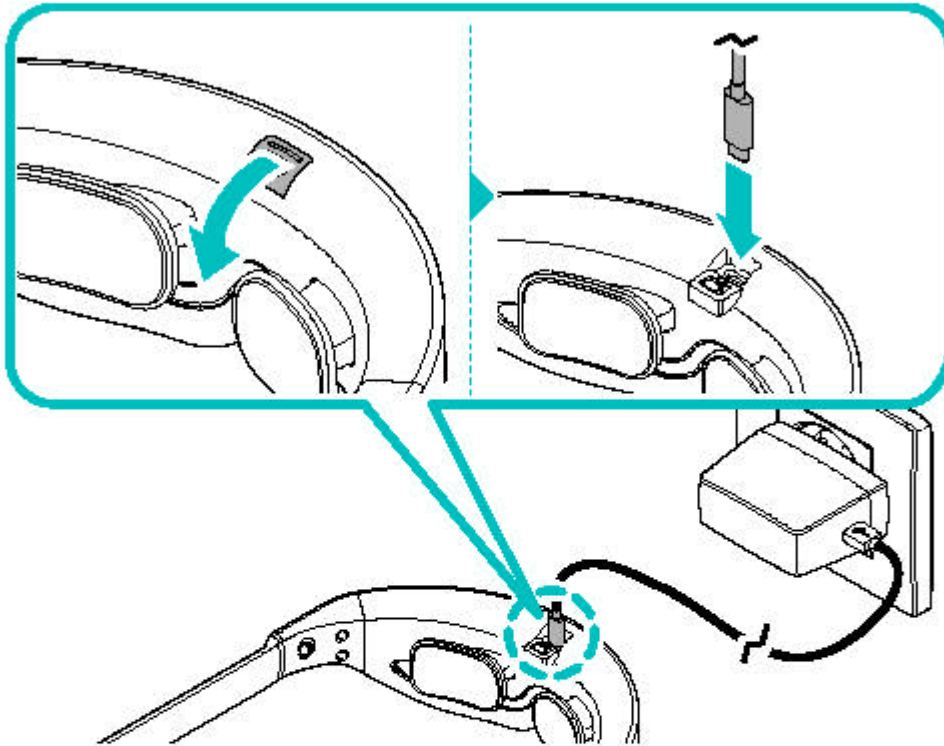
EN

CH

JP

Charging

After connecting the power cable and adapter to the product, plug the adapter into a power outlet.



- When using the product for the first time, or if the product has not been used for a while, be sure that the battery is sufficiently charged (minimum 3 hours).
- While charging, the power indicator will glow red. Once charging is complete, the power indicator will turn green.



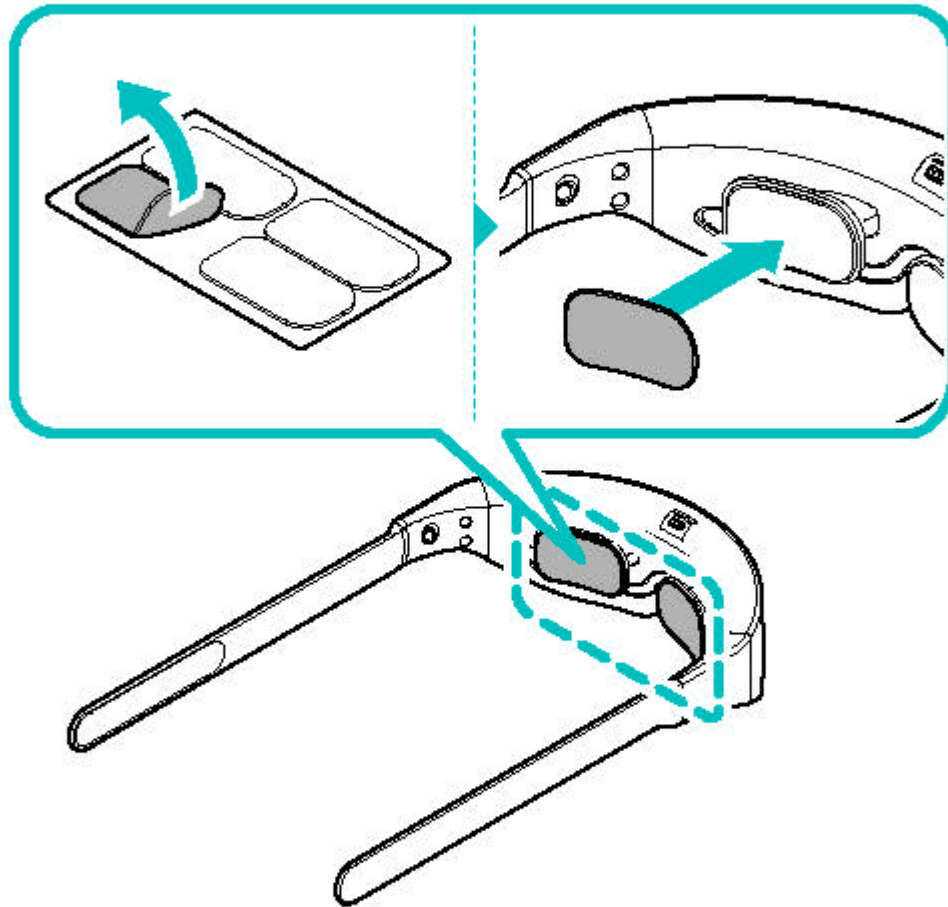
When charging the product, be sure to use the provided power adapter. Issues resulting from using a power adapter aside from the one provided are not covered by the warrantee.



Attaching Silicone Pads

Remove the silicone pads from the film and place them onto the heat emitters.

Store the silicone pads by placing them back onto the film when the product is not being used.



If the silicone pads become dirty, wash thoroughly with water and dry.

KR

EN

CH

JP



Product Care and Storage

Product Care

Regularly care for the product to ensure that it may be safely used for an extended period of time.

Wipe the interior and exterior of the product with a soft cloth or sponge.



Do not use strong chemical detergents, water detergents, or a scrubbing brush, as these can damage the product.

Storage

- Keep the product in the product box if it will not be used for an extended period of time.
- Avoid storage in a high-temperature place, in direct sunlight, or near fire.
- Do not store the product in a place containing magnetic forces.
- If the product has not been used for an extended period of time, the battery may be depleted. Fully charge the battery before using.

Product Specifications

KR

EN

CH

JP

Item	Specifications
Product name	WIBE_b1
Model name	WWEAI01-1025I
Charging time	Approx. 3–4 hours
Operation time	Approx. 60 min (4 uses, 15 min/use)
Wavelength	RED 630 nm, NIR 830 nm
Power supply	Lithium polymer battery
Adapter power	AC 100–240 V, 50/60 Hz, 0.3 A
Charging power	DC 5 V, 2 A
Size	190 × 110 × 65 (mm)
Weight	203 g
Materials	ABS, PC, elastomer, silicon
Color	Baby pink, silver

^

v