



**YOUR PROJECTS ON TRACK**

# Wayside Structures

3850 East Mustard Way  
Springfield, MO  
65803

417-864-5411  
Toll Free: 800-852-5587  
sales@lwind.com  
www.lwind.com

# **WAYSIDE STRUCTURES MLPS - CANT - BRIDGES - SPECIALTY**

**MLP's ..... 2**

**5G & 5W SERIES .....3**

**MLP STRUCTURE WORKSHEET .....4**

**SECURITY MAST W/LADDER .....5**

**CROSSING CANTILEVERS & BRIDGES .....6**

**HIGH WIDE (GANTRY) STRUCTURES .....7**

**SIGNAL CANTILEVER / BRIDGES .....8**

**SAFE-T-DECK FOR WAYSIDE STRUCTURES .....9**

**LADDER, LADDER FOUNDATION, AND LADDER GUARD .....10**

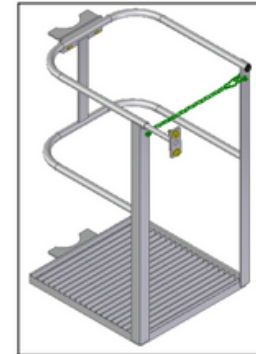
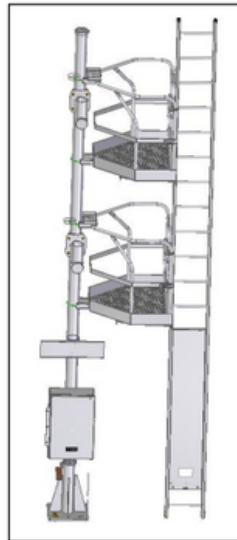


## **MLP STRUCTURES**

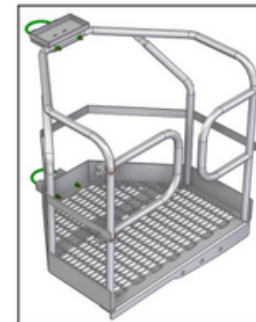
**MLP & WAYSIDE SIGNAL STRUCTURES  
"5G" SERIES (NO WIRING) "5W" (WIRING HARNESS OPTION)**

**SIGNAL HEADS SOLD SEPARATELY**

**L&W has designed and manufactured a variety of structures  
We can build to specification and we are confident  
we can build a structure for any requirement**



**VALUE**

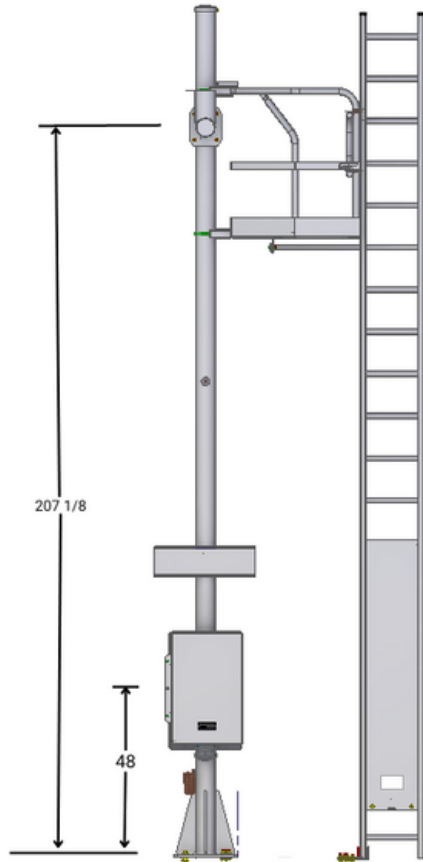


**HIGH END PLATFORMS**

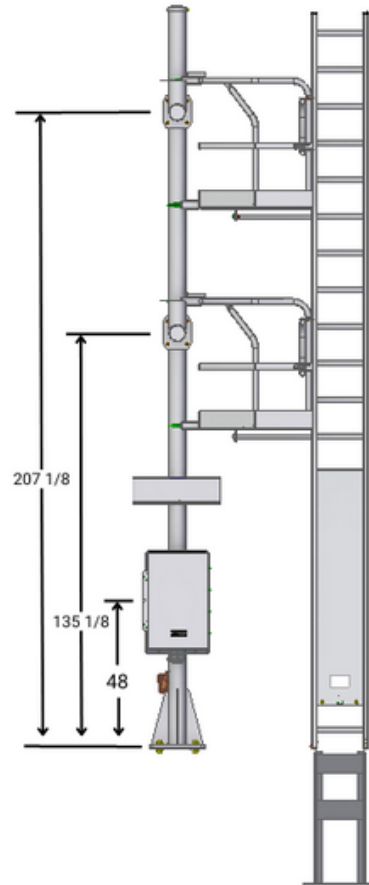
**We Will Adjust Our Design or Build to Your Specific Requirements.  
Send Us Your Spec. or Call for Pricing**

### MLP STRUCTURES

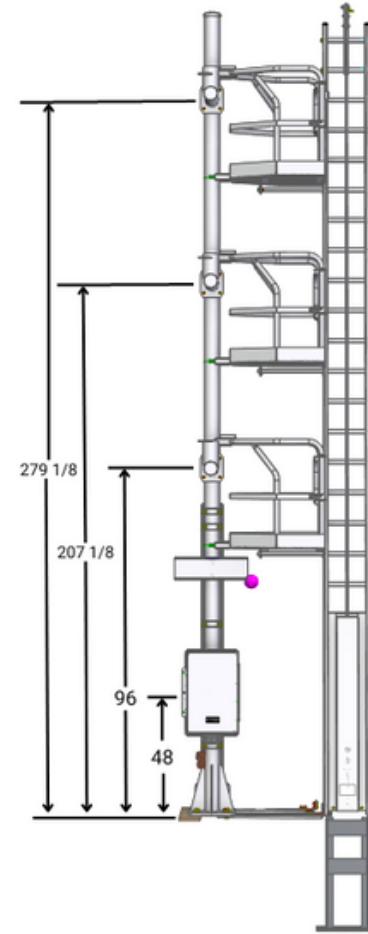
5G & 5W (wiring harness) Series Structures



SIGNAL ASSEMBLY FIG 1



SIGNAL ASSEMBLY FIG 2



SIGNAL ASSEMBLY FIG 3

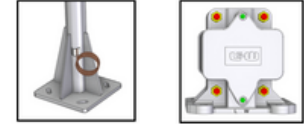
**MLP STRUCTURES**

1. STRUCTURE REQUIRED = **FIG 1 FIG 2 FIG 3** 1a) MAST HEIGHT \_\_\_\_\_

2. SPECIFY BASE = **WELDED OR JUNCTION BASE**

**RECOMMENDATION** - A FOUNDATION LEVELING PLATE IS REQUIRED WITH A JUNCTION BASE USING A LEVELING BOLT KIT.

WELDED BASE JUNCTION BASE



3. TOP SIGNAL = **TOP OF POST MOUNT OR STANDOFF (ELBOW)**

4. FOR EACH SIGNAL SPECIFY IF SIGNALS ARE:

**SIG A 1 WAY or 2 WAY      SIG B 1 WAY or 2 WAY      SIG C 1 WAY or 2 WAY**

5. IF HEIGHT OF SIGNAL ASPECTS ARE DIFFERENT THAN SHOWN PLEASE SPECIFY WHAT HEIGHT IS REQUIRED, PLEASE STATE TO BOTTOM, CENTER, OR TOP ASPECT POSITION.

**SIG A \_\_\_\_\_ FT**  
**SIG C \_\_\_\_\_ FT**  
**SIG E \_\_\_\_\_ FT**

6. WHICH CONSTRUCTION STYLE OF COLOR LIGHTS (CIRCLE ONE)

**FAB ALUM LEDS      CAST ALUM INCANDESCENT      CAST ALUM LED**

7. IF REQUESTING SIGNAL QUOTE, PLEASE SPECIFY SIGNALS BELOW.

BOTTOM (i.e., 3 POS ASPECT ≠≠, GYR, GREEN=TOP, RED=BOTTOM)

<b>SIG A _____ POS</b>	_ _	<b>SIG B _____ POS</b>
<b>SIG C _____ POS</b>	_ _	<b>SIG D _____ POS</b>
<b>SIG E _____ POS</b>	_ _	<b>SIG F _____ POS</b>

8. DEFINE MATERIAL OF STRUCTURE? **ALUMINUM / GALVANIZED**

9. IS A FOUNDATION REQUIRED? **Y / N**

10. ARE LEVELING BOLTS REQUIRED? **Y / N**

**NOTE:** CLOSE CLEARANCE CONFIGURATIONS AVAILABLE AS WELL

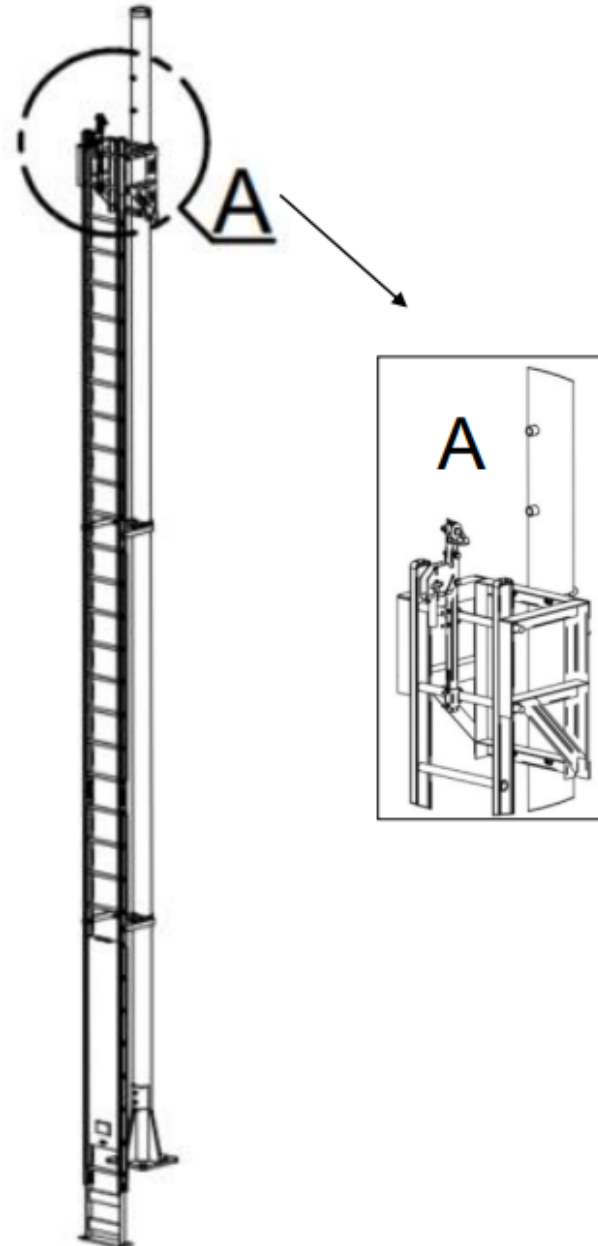


**MAST LADDER ASSEMBLY**

40 X 6" X 35FT  
WELDED BASE  
**LW PART NO. 5G901194**

MAST ASSEMBLY ONLY  
80 X 5" X 30FT WELDED BASE, 1-1/2" NPT  
**LW PART NO. 5G901357**

40 X 6" X 30FT WELDED BASE, 1-1/2" NPT  
**LW PART NO. 5G901357-01**

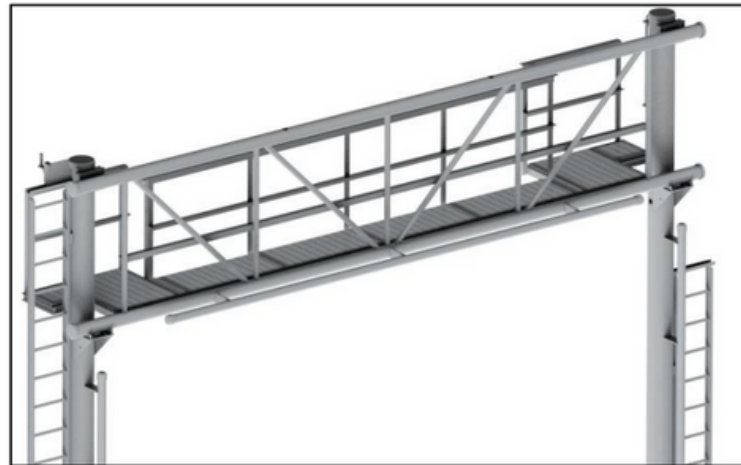
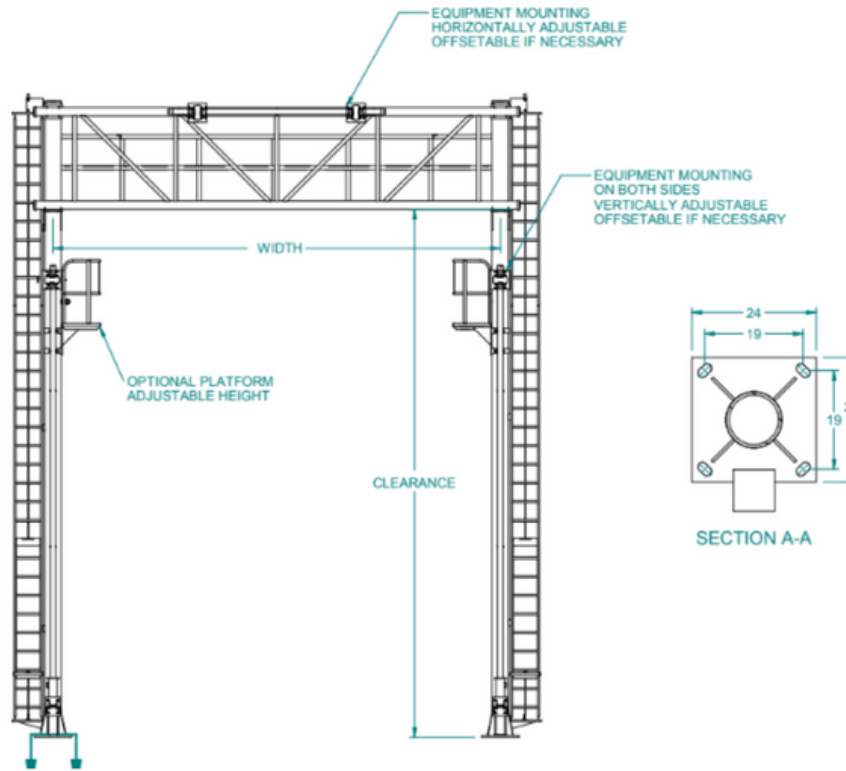


CROSSING CANTILEVER





**HIGH WIDE (GANTRY)**





SIGNAL CANT / BRIDGES



Special Structures? - call 1-800-852-5587 with your requirement

**SAFE-T-DECK**  
**ELIMINATES CRIBBING**  
**OR BACKFILL FOR CERTAIN APPLICATIONS**  
(Customer responsible for sizing foundation per application)



8'x8' ALUM PLATFORM,  
3-SIDED  
FOR 11-11-16" FOUNDATION MOUNT  
**LW PART NO. 5J900994**



8'X8' ALUM PLATFORM  
4-SIDED W/LADDER/GATE  
FOR 11-11-16" FOUNDATION MOUNT  
**LW PART NO. 5J900802**

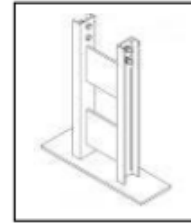


**LADDER REPLACEMENT PARTS**

LADDER BASE FOR  
 7-5/16" NARROW LADDER FOUNDATION  
**LW PART NO. 5J7410-x** (2' length, YZ hardware)  
**LW PART NO. 5J7410-XSS** (2' length, SS hardware)

18-1/2" WIDE LADDER FOUNDATION  
**LW PART NO. 5J7410-10** (2' length, no hardware)  
**LW PART NO. 5J7410-10X** (2' length, w/hardware)

**LW PART NO. 5J7410-20** (4' length, no hardware)  
**LW PART NO. 5J7410-20X** (4' length, w/hardware)



COMMERCIAL ALUMINUM LADDERS  
 OR FABRICATED GALV STEEL LADDERS  
 ALSO AVAILABLE WITH LADDER GUARD



LADDER GUARD 96"x7 3/4" GALV W/HDR (GUARD ONLY)  
**LW PART NO. 5J7407-1X** (FOR 1 SIDE OF NARROW LADDER)  
**LW PART NO. 5J7407-2X** (FOR 2 SIDES OF NARROW LADDER)

LADDER GUARD 76"x14 3/4" GALV W/HDR (GUARD ONLY)  
**LW PART NO. 5J55302-10X** (1 SIDE OF COMMERCIAL LADDER)  
**LW PART NO. 5J55302-13X** (2 SIDES OF COMMERCIAL LADDER)

