



pure series

hanging kona bowl planter

- black 
- espresso 
- gray 
- white 

materials

durable polypropylene construction
galvanized steel frame
made in canada

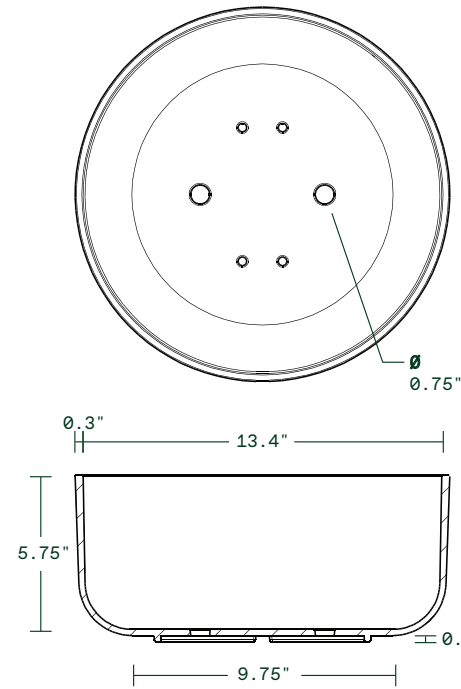
features

scratch resistant
fade resistant
crack proof
drainage holes

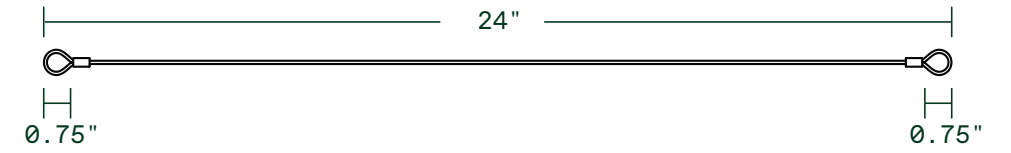
hanging bracket included
5 year limited warranty

hanging kona bowl fourteen

Bowl: 14"D x 6.25"H
Bowl & Brackets: 14"L x 14"W x 28"H
Weight: 3.4 lbs
Capacity: 3.3 gal | 12.7 L



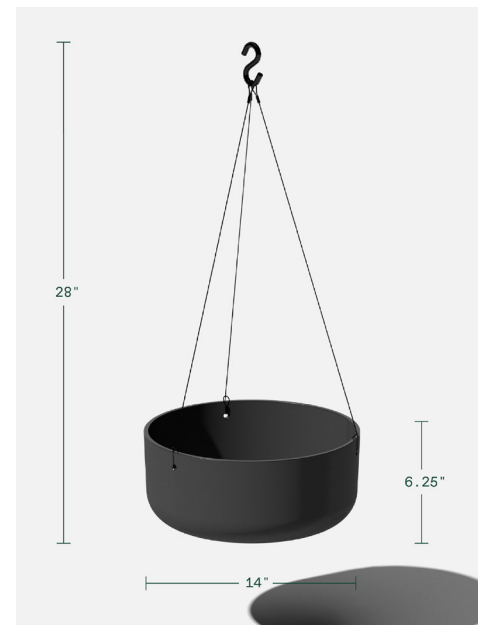
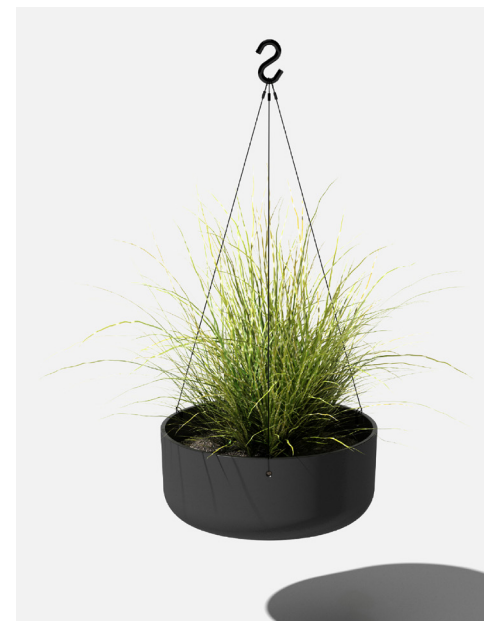
Interior Dimensions



Exterior Hanger Dimensions



Hardware Included



Exterior Dimensions

