

outdoor kitchen series grill cabinet instructions

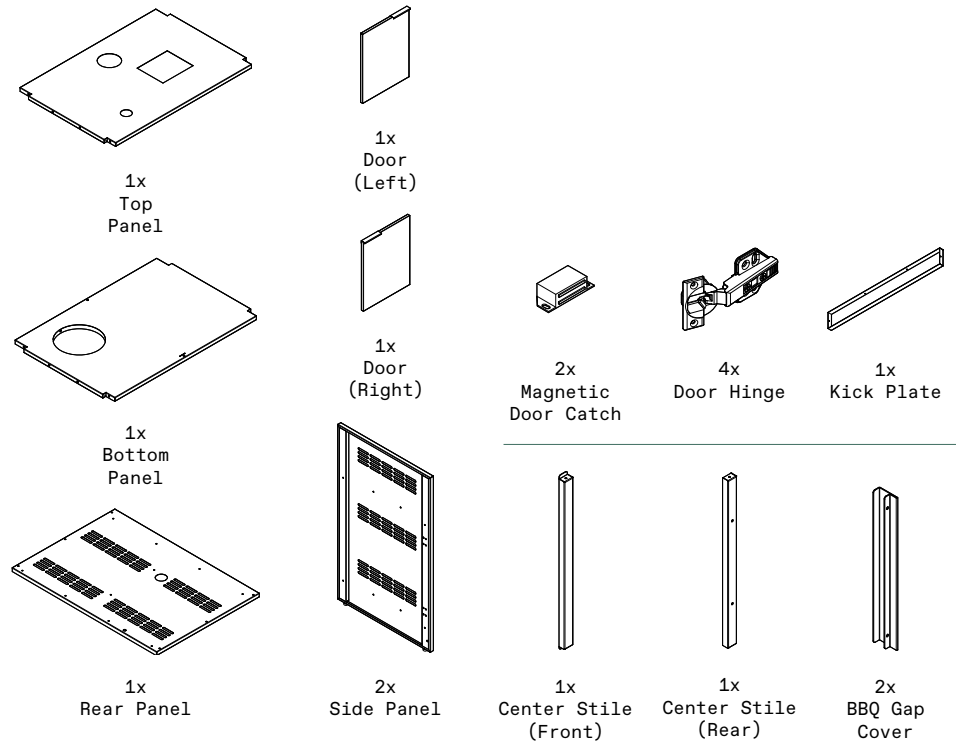
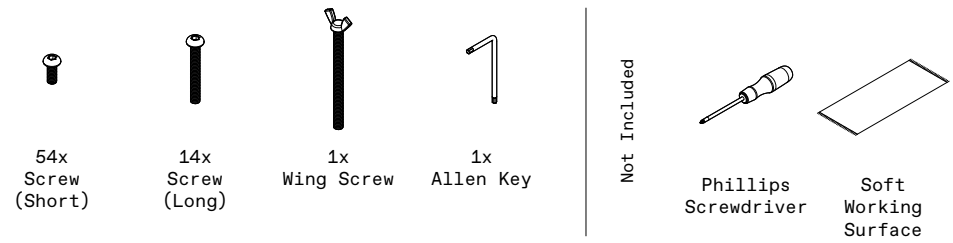


V
|
O



parts and components

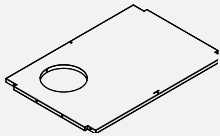
This Grill Cabinet is designed to fit the Kitchen Aid 4-Burner Built-In Gas Grill - 740-0780, but can fit any gas grill that has a length of 31", a width of 24", and is taller than 10".



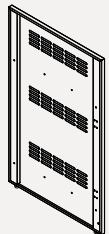
part a

4x
Screw
(Short)

4x
Screw
(Long)

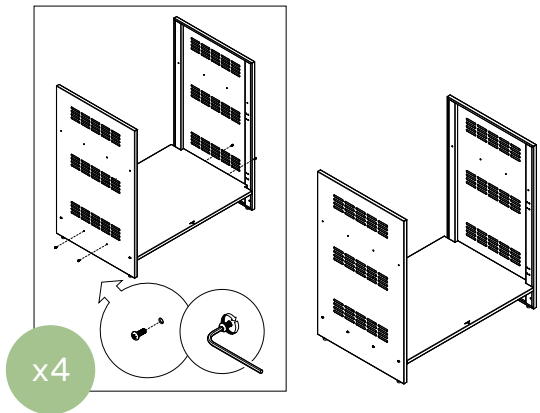
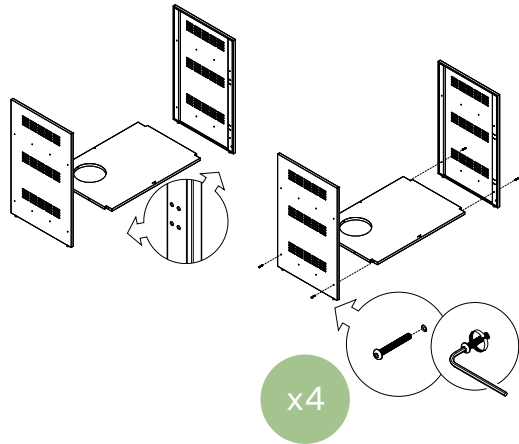


1x
Bottom
Panel



2x
Side Panel

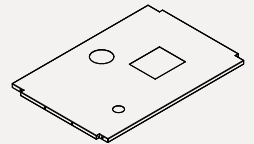
WARNING: Do not overtighten screws.



part b

4x
Screw
(Short)

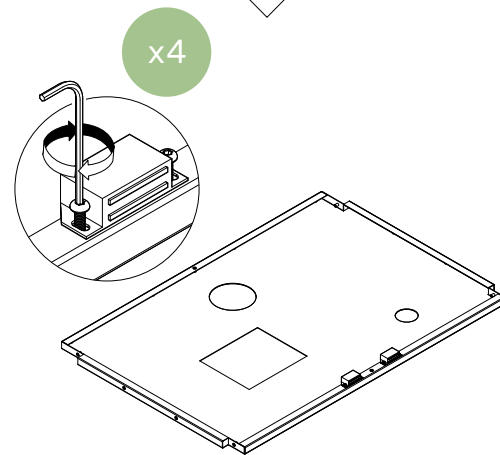
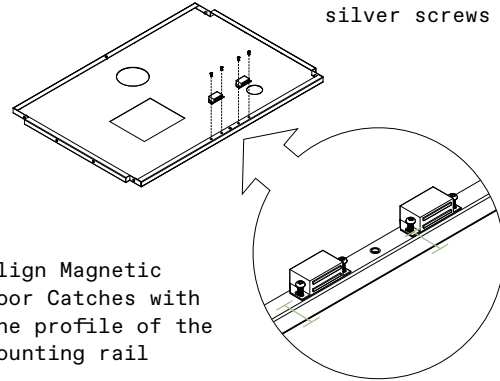
2x
Magnetic
Door Catch



1x
Top
Panel

Please discard pre-installed silver screws

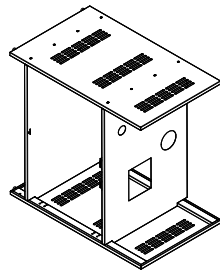
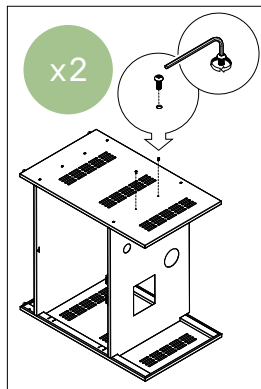
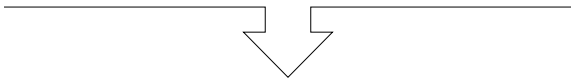
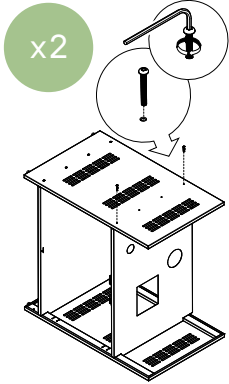
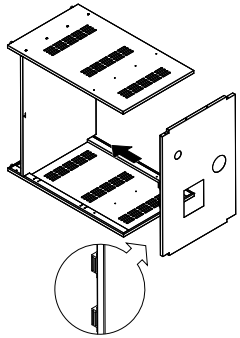
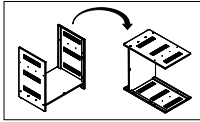
Align Magnetic Door Catches with the profile of the mounting rail



part c

2x
Screw
(Short)

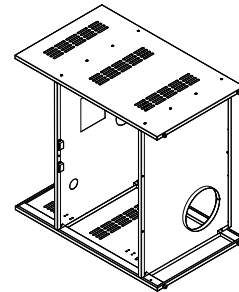
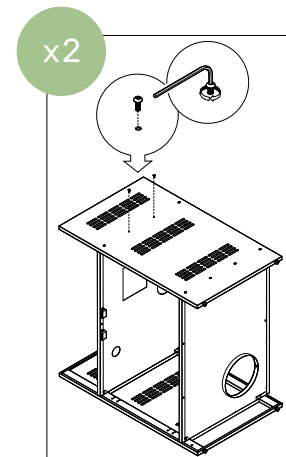
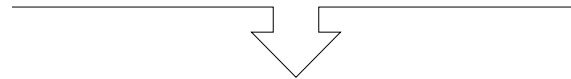
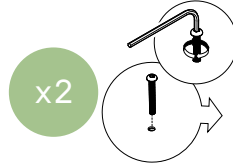
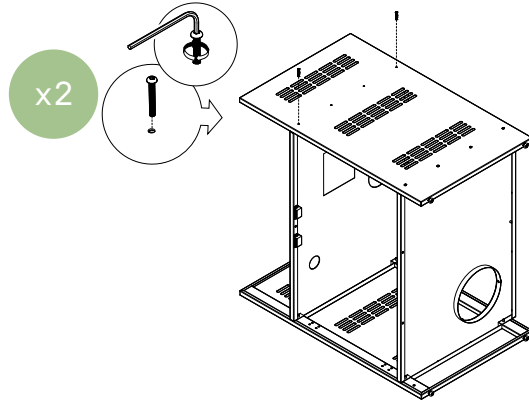
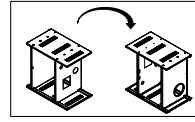
2x
Screw
(Long)



part d

2x
Screw
(Short)

2x
Screw
(Long)

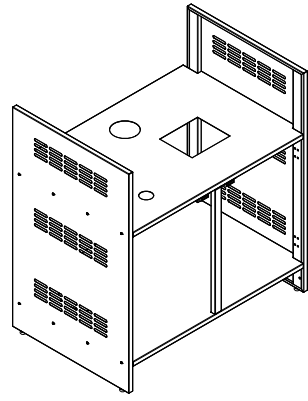
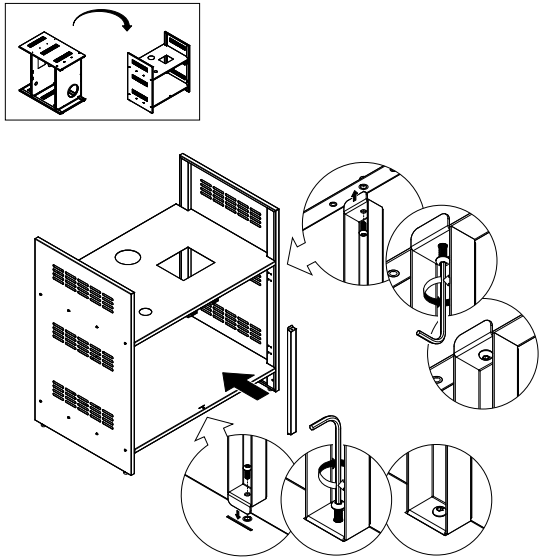


part e

2x
Screw
(Short)

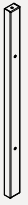


1x
Center Stile
(Front)

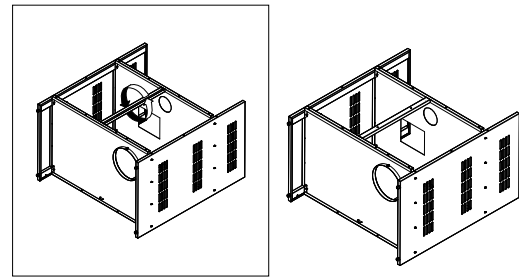
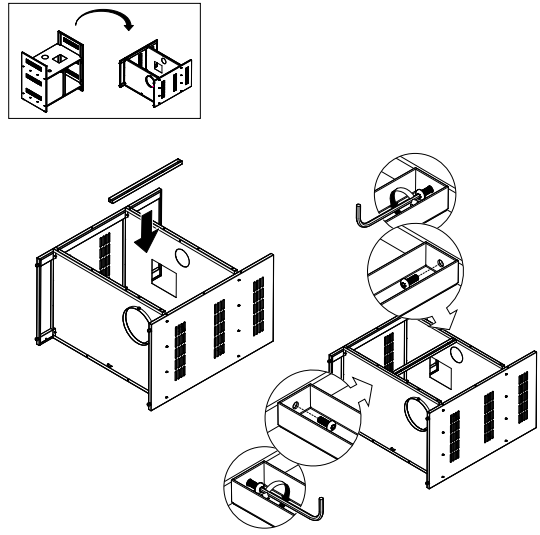


part f

2x
Screw
(Short)



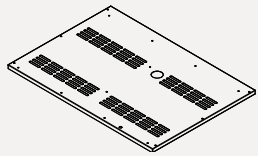
1x
Center Stile
(Rear)



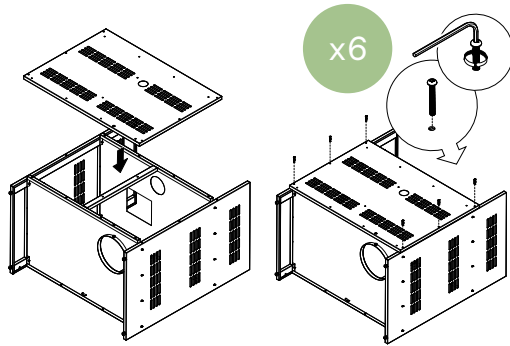
part g

10x
Screw
(Short)

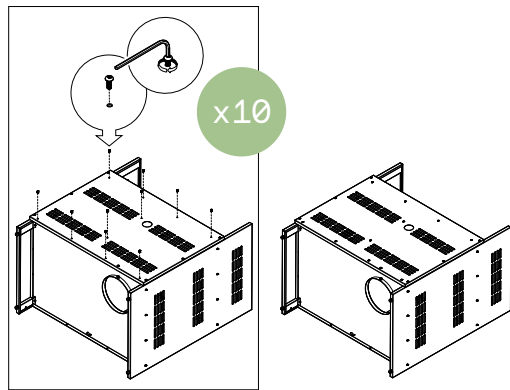
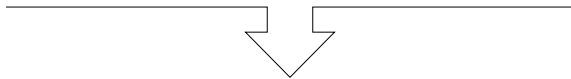
6x
Screw
(Long)



1x
Rear Panel



x6



x10

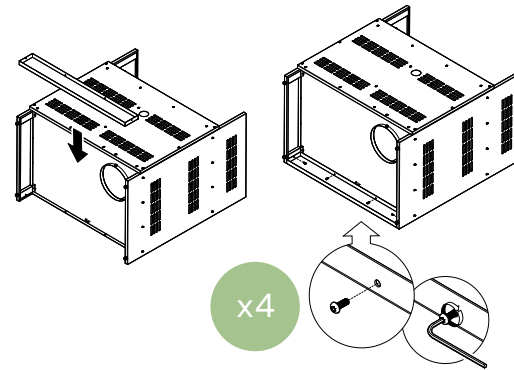
part h

4x
Screw
(Short)

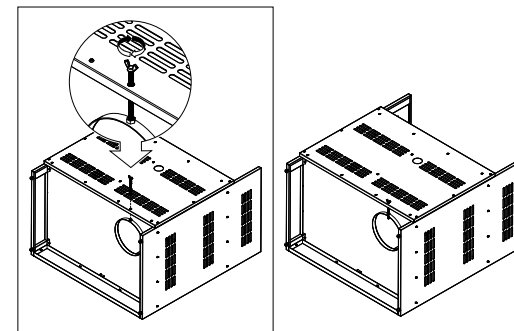
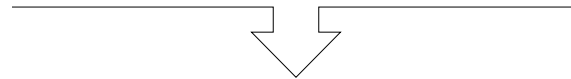
1x
Wing Screw



1x
Kick Plate

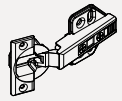


x4

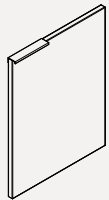


part i

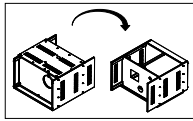
12x
Screw
(Short)



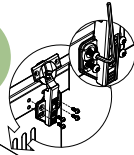
2x
Door Hinge



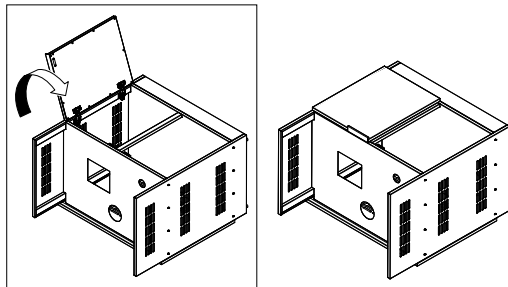
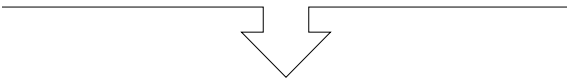
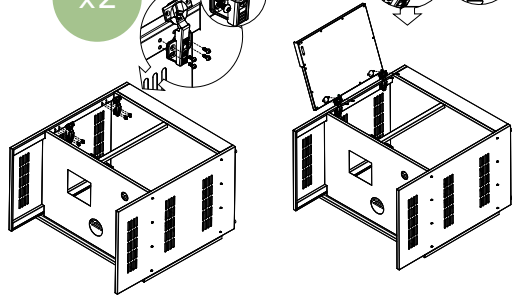
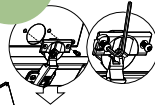
1x
Door
(Right)



x2

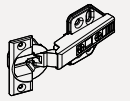


x2

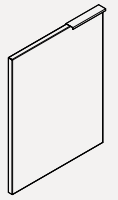


part j

12x
Screw
(Short)



2x
Door Hinge

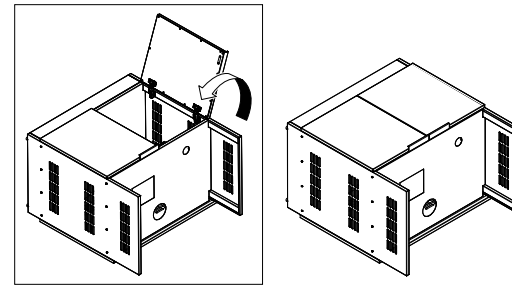
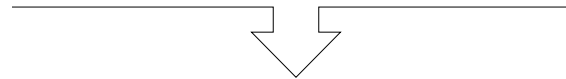
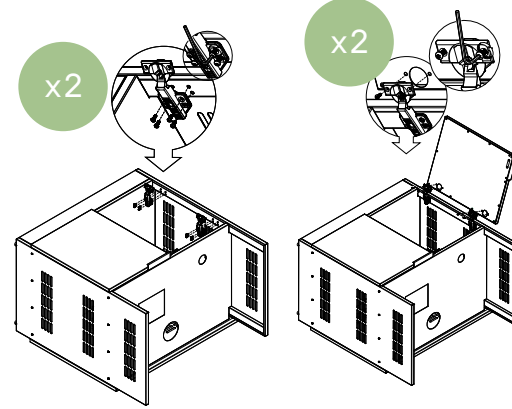


1x
Door
(Left)

x2



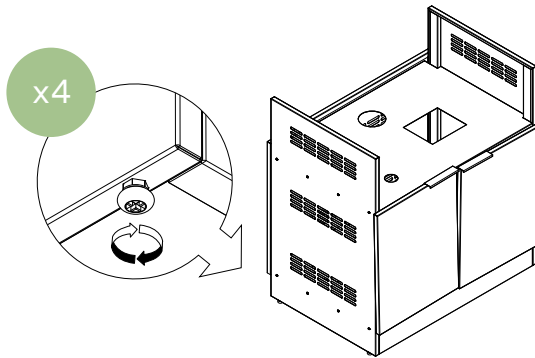
x2



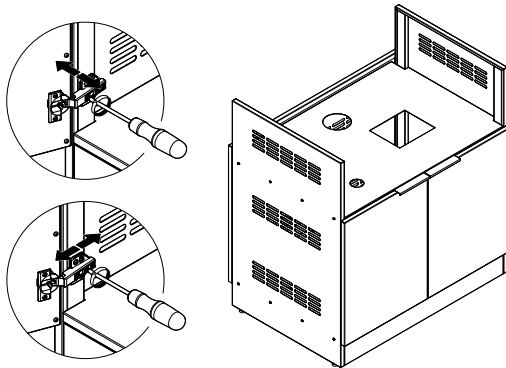
part k

*Note: Ensure that grill cabinet is levelled on intended final resting surface by adjusting leveller feet.

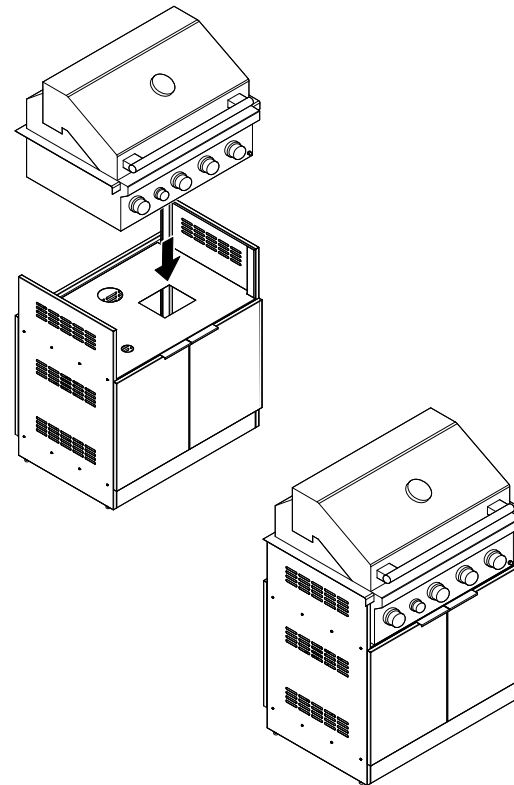
Adjusting door hinges prior to final placement and levelling may cause doors to misalign.



Door hinge adjustment:



part l

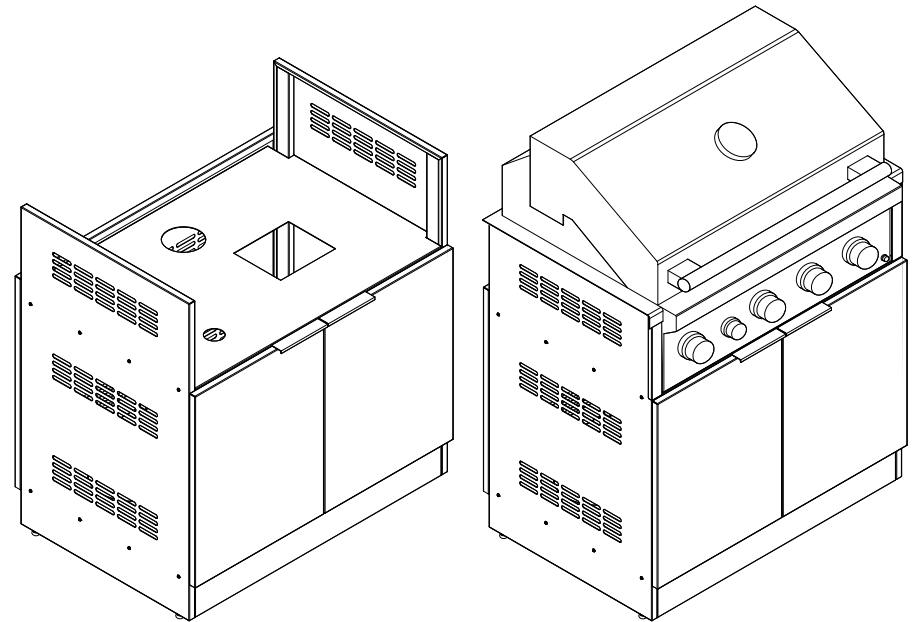
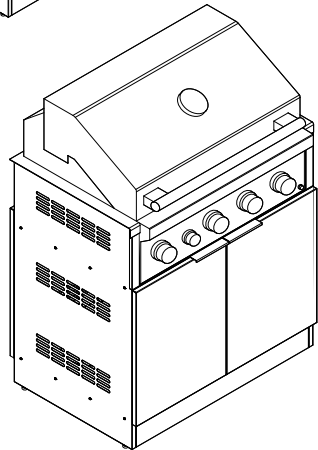
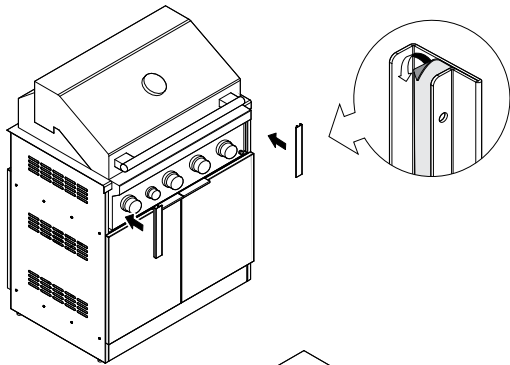


part m



2x
BBQ Gap
Cover

Remove strip to reveal
adhesive backing



complete

assemble.
arrange.
transform.





your living
space
extended.

V
|
O

01 Bar Cart - 02 Counter Square - 03 Counter Sink -
04 Grill Cabinet - 05 Counter Long

about the outdoor kitchen series

The outdoors are meant to be enjoyed, and that's why we created the Outdoor Kitchen Series! All Outdoor Kitchen Series products are modular by design to fit together seamlessly and keep entertaining simple, easy, and worry-free. Made from sturdy, durable aluminum food-grade stainless steel countertops, and held together with our quick connecting corner joints that make assembly a breeze. As with all Veradek Outdoor products, the Outdoor Kitchen Series is weather resistant to stand the test of time. Long gone are the days of shuffling through the screen door with platters in hand; it's time to start the party outdoors!

Check out more Outdoor Kitchen Series products at [veradek.com](https://www.veradek.com)
Questions? Email info@veradek.com

meet you
outside.