

outdoor kitchen series counter sink instructions



V
|
O



parts and components



8x
3-Way
Connector
Piece



4x
4-Way
Connector
Piece

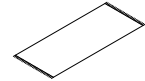


4x
Leveling
Feet

Not Included



Rubber
Mallet



Soft
Working
Surface



1x
Drain
Stopper



1x
Strainer



1x
Strainer
Body



1x
Faucet
Riser



1x
Faucet
Washer



1x
Attachment
Nut



1x
Foam
Gasket



1x
Sink
Washer



1x
Strainer
Nut



1x
Coupling
Nut



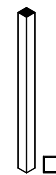
1x
Drain
Insert



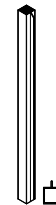
1x
Faucet
Hose



4x
Ledged Tube
(Long)



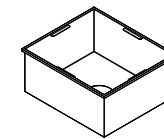
8x
Riser Tube



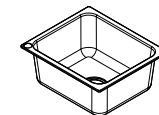
4x
Ledged Tube
(Short)



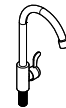
2x
Leveler
Tube



1x
Sink Basin



1x
Sink



1x
Sink
Faucet



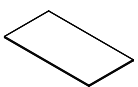
1x
Drain Tube



1x
Trap



1x
Stainless
Steel
Tabletop



2x
Aluminum
Shelf

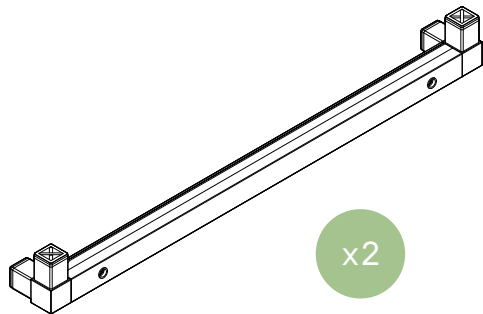
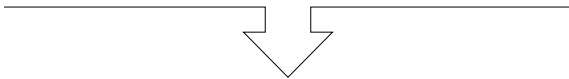
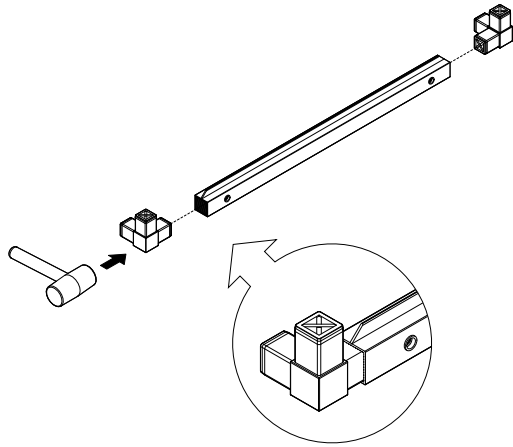
part a



8x
3-Way
Connector
Piece



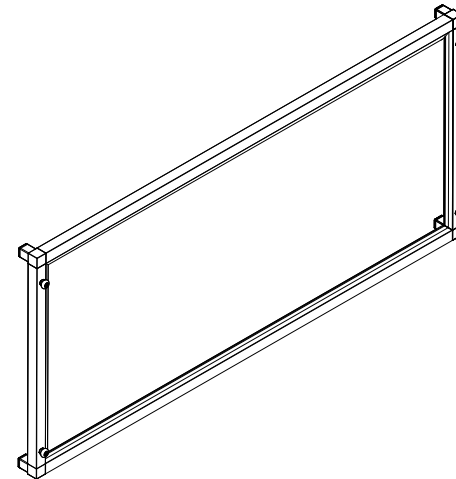
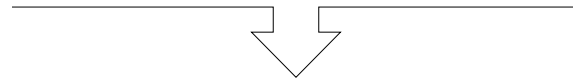
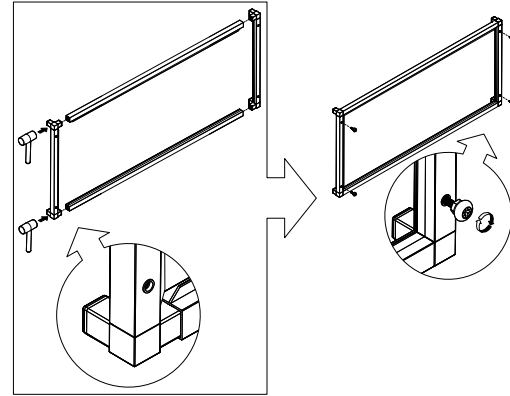
2x
Leveler
Tube



part b



4x
Leveling
Feet



2x
Leveling
Tube
(Long)

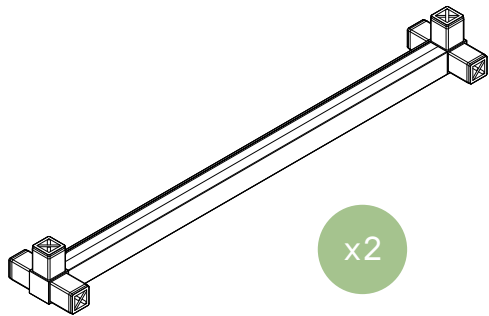
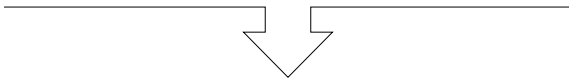
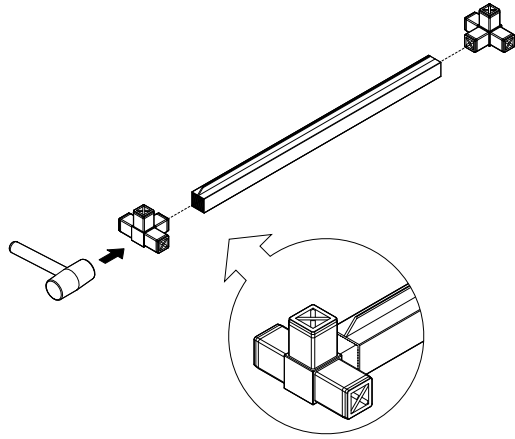
part c



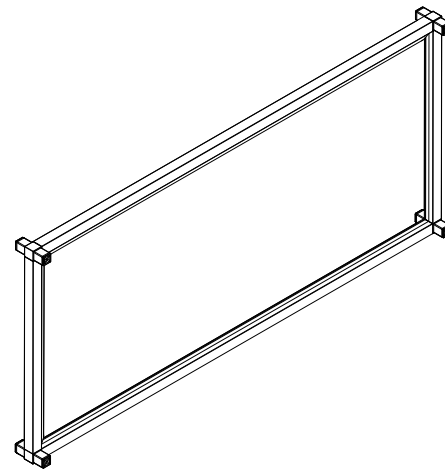
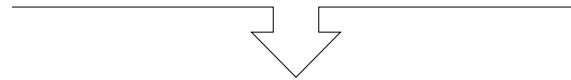
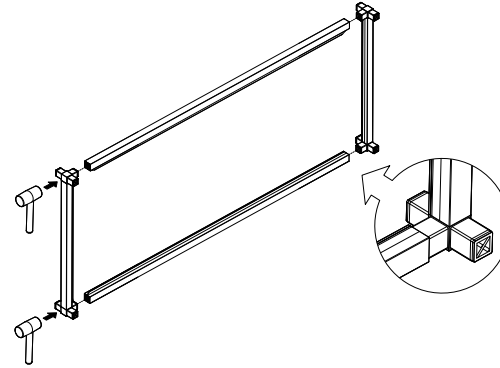
4x
4-Way
Connector
Piece



2x
Ledged Tube
(Short)

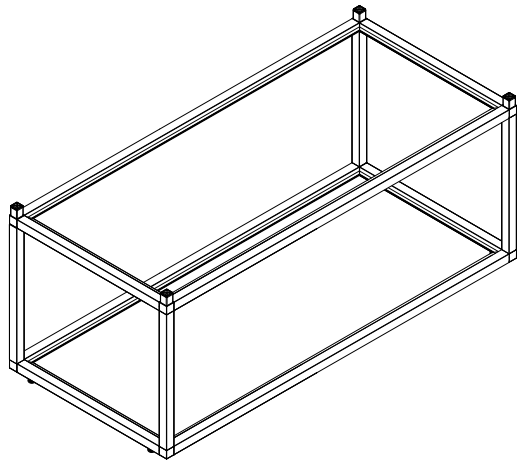
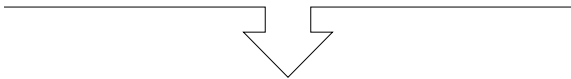
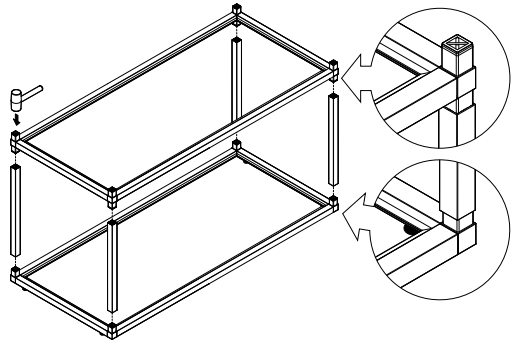
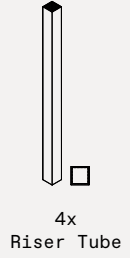


part d

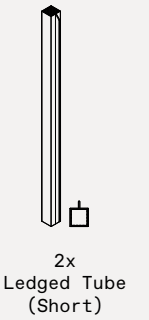
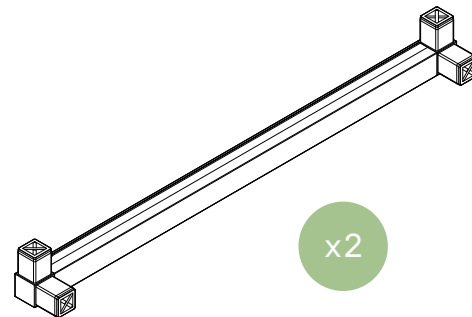
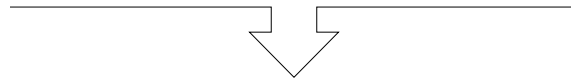
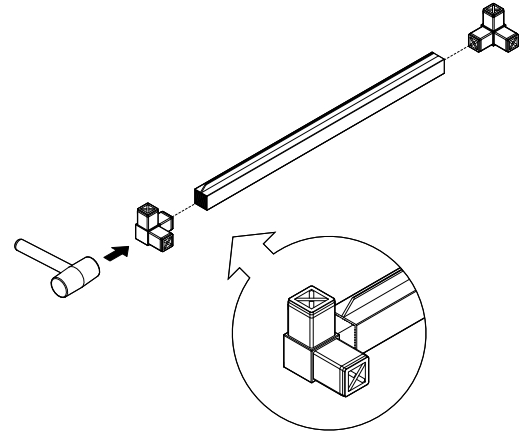
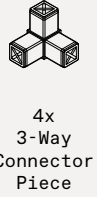


2x
Ledged Tube
(Long)

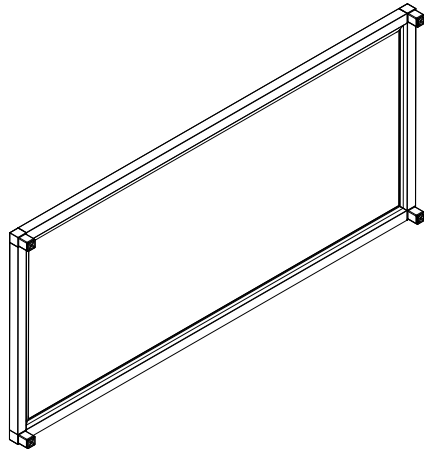
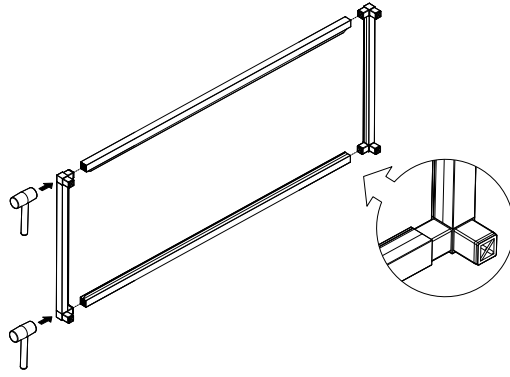
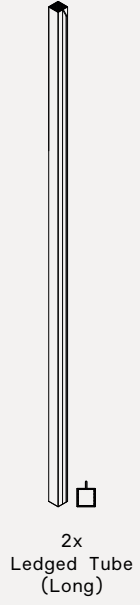
part e



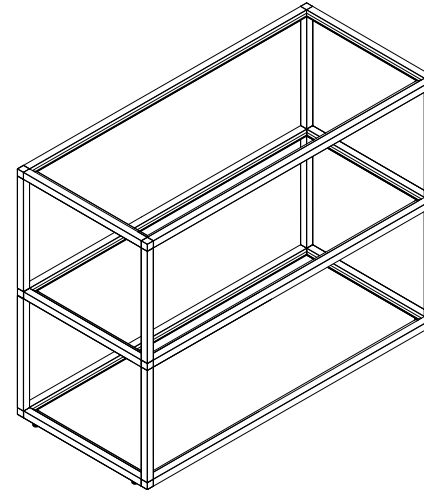
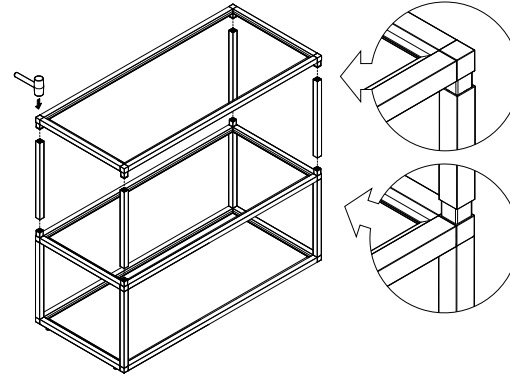
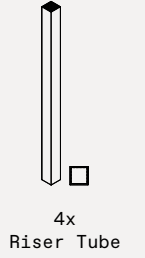
part f



part g



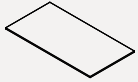
part h



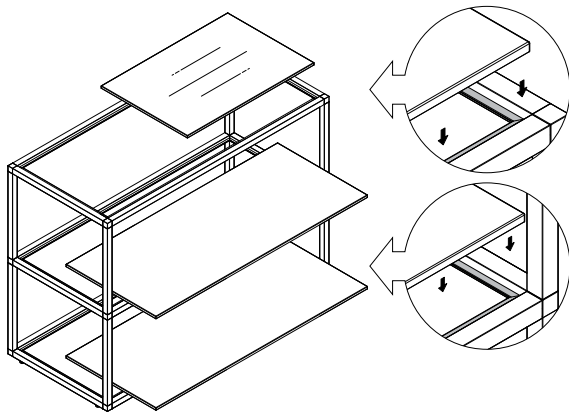
part i



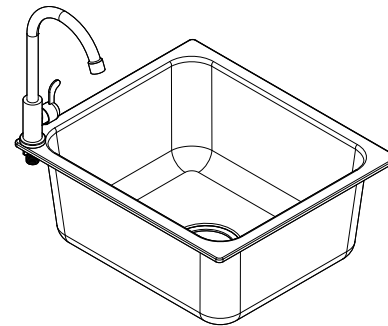
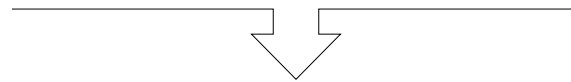
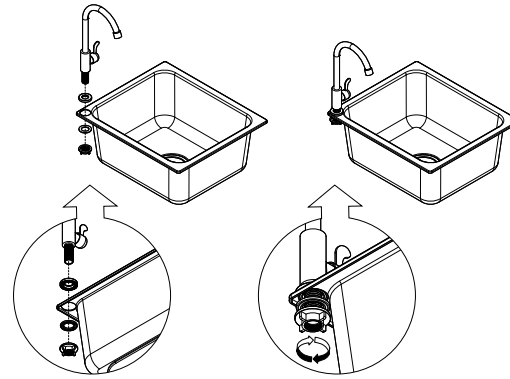
1x
Stainless
Steel
Tabletop



2x
Aluminum
Shelf



part j



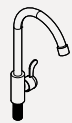
1x
Faucet
Riser



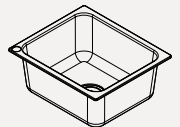
1x
Faucet
Washer



1x
Attachment
Nut



1x
Sink
Faucet



1x
Sink

part k

1x
Drain
Stopper

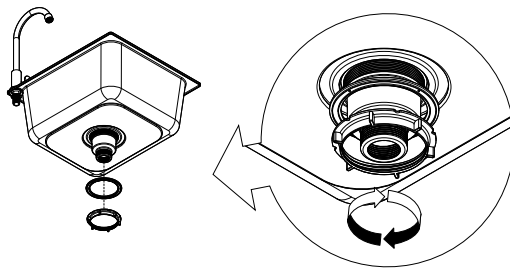
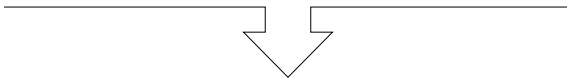
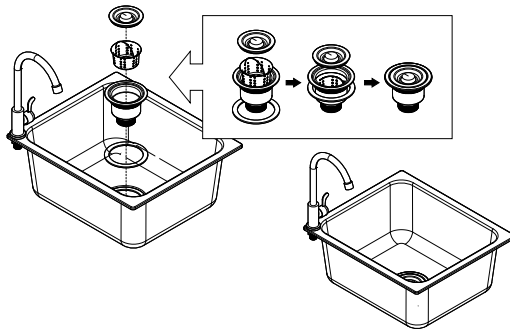
1x
Strainer

1x
Foam
Gasket

1x
Strainer
Body

1x
Sink
Washer

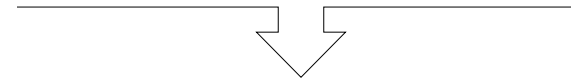
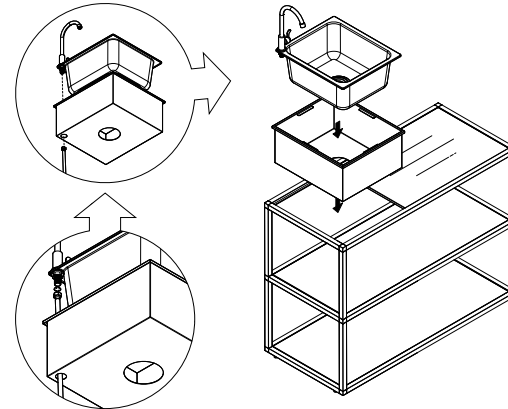
1x
Strainer
Nut



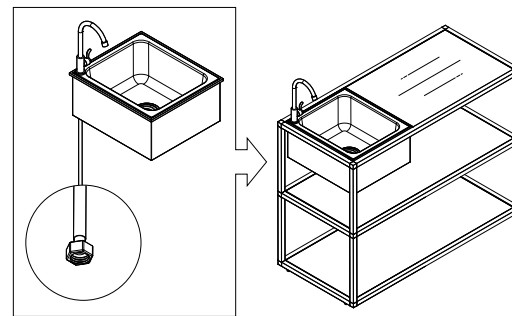
part l

1x
Faucet
Hose

1x
Sink
Basin



Larger end
attaches to
garden hose.



part m



1x
Coupling
Nut



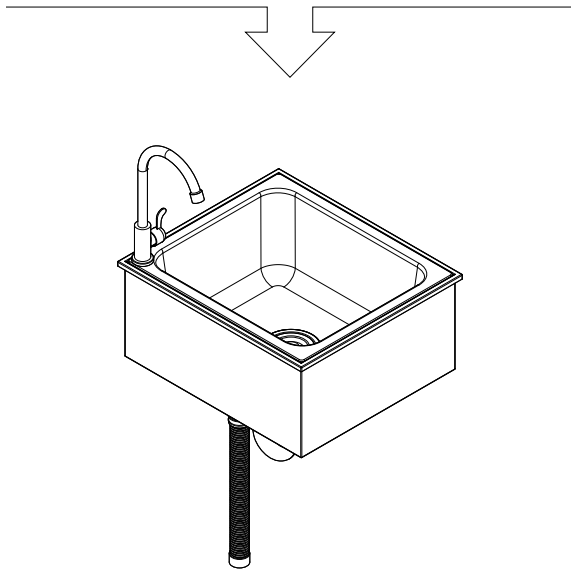
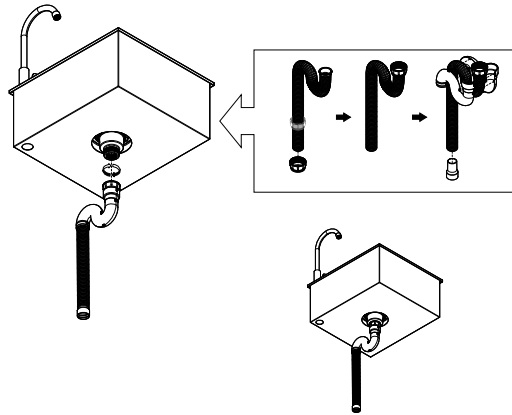
1x
Drain
Insert



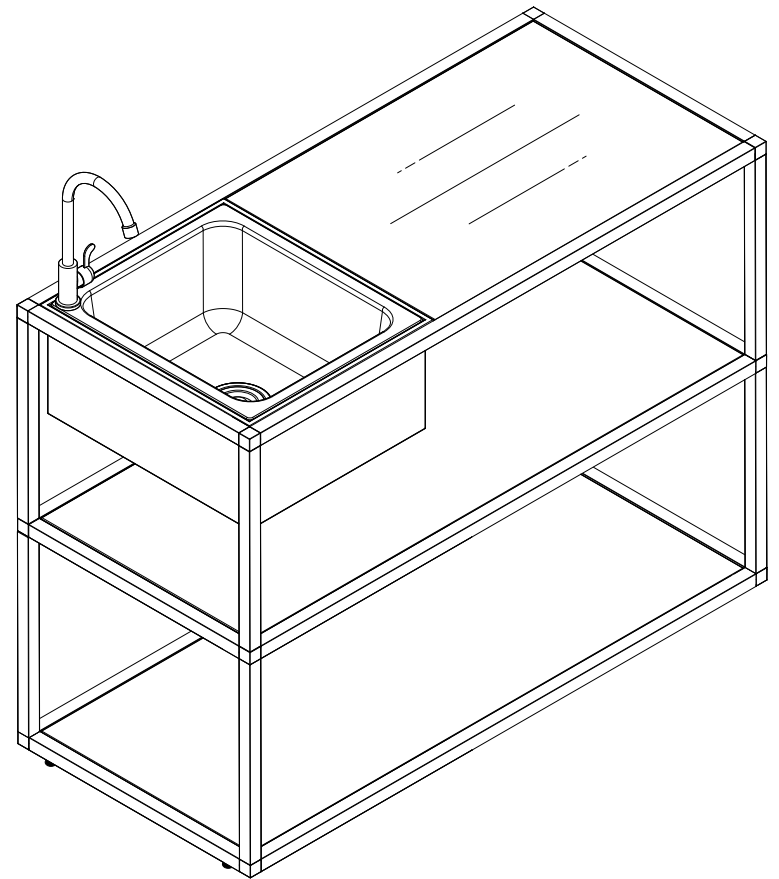
1x
Trap



1x
Drain Tube



complete



assemble.
arrange.
transform.





your living
space
extended.

V
|
O

01 Bar Cart - 02 Counter Square - 03 Counter Sink -
04 Grill Cabinet - 05 Counter Long

about the outdoor kitchen series

The outdoors are meant to be enjoyed, and that's why we created the Outdoor Kitchen Series! All Outdoor Kitchen Series products are modular by design to fit together seamlessly and keep entertaining simple, easy, and worry-free. Made from sturdy, durable aluminum food-grade stainless steel countertops, and held together with our quick connecting corner joints that make assembly a breeze. As with all Veradek Outdoor products, the Outdoor Kitchen Series is weather resistant to stand the test of time. Long gone are the days of shuffling through the screen door with platters in hand; it's time to start the party outdoors!

Check out more Outdoor Kitchen Series products at [veradek.com](https://www.veradek.com)
Questions? Email info@veradek.com

meet you
outside.