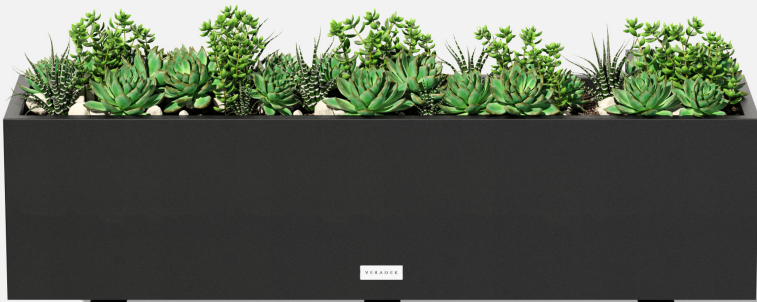


metallic series railing planter instructions



V
|
O



parts and components

*Please note: Diagrams shown are drawings of the Railing Planter 36" model. However, the installation process for the 36" and 48" models are the same.



6x Slider Bolt



6x Cap Nut



6x Screw (Small)



6x Screw (Large)

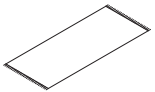


6x Nut

Not Included



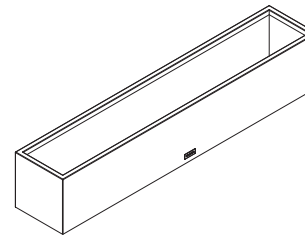
Phillips Screwdriver



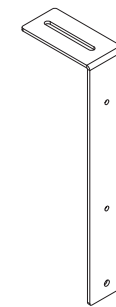
Soft Working Surface



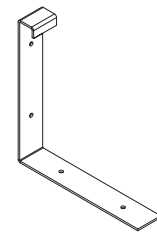
1x Leveling Bar



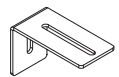
1x Planter



3x Railing Bracket



3x Planter Bracket

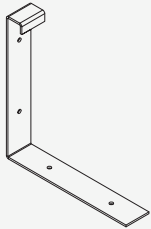


3x Sliding Bracket

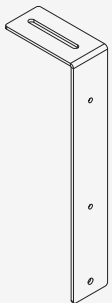
part a



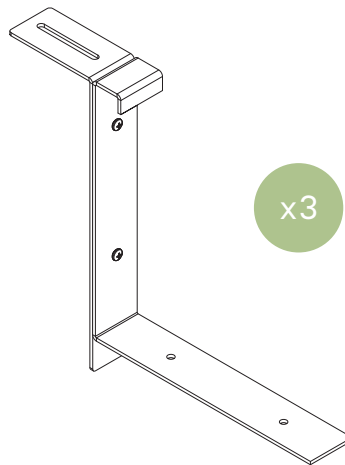
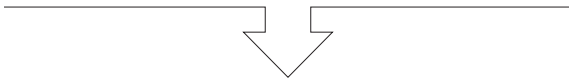
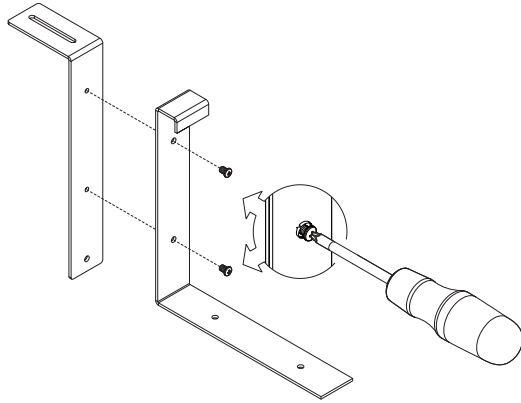
6x
Screw
(Small)



3x
Planter
Bracket



3x
Railing
Bracket



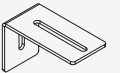
part b



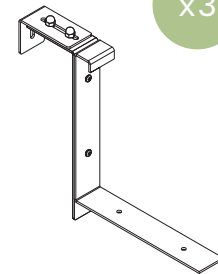
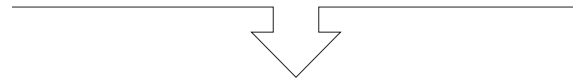
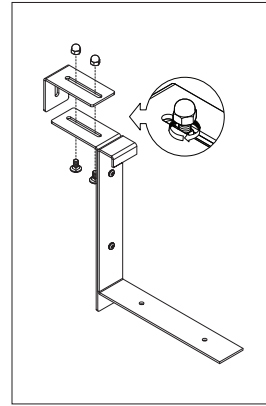
6x
Cap Nut



6x
Slider Bolt



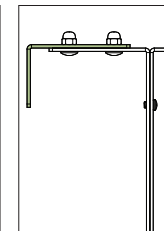
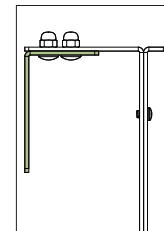
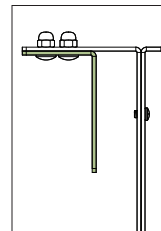
3x
Sliding
Bracket



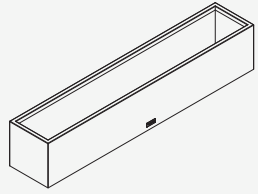
The mounting bracket can be configured in a small, medium, or large orientation to be mounted on railings 1" to 5.5" wide.

Please mount brackets based on your specific mounting needs.

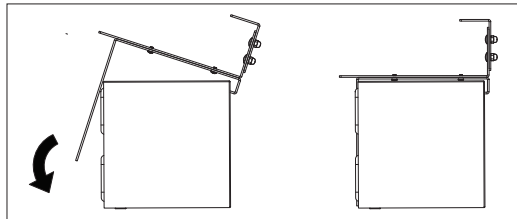
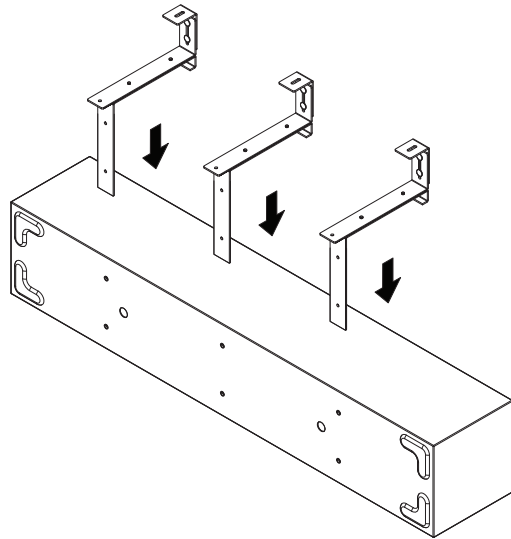
Small	Medium	Large
1" - 1.5"	2" - 3.5"	3.5" - 5.5"



part c

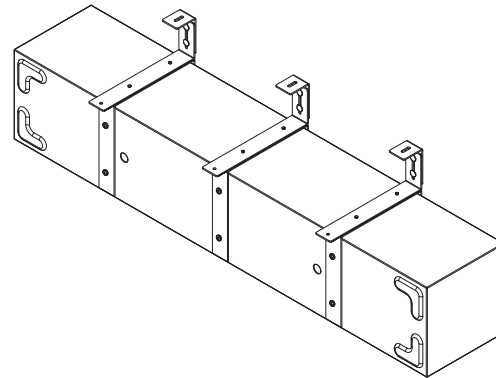
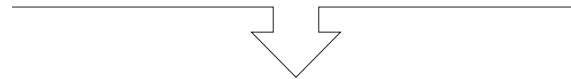
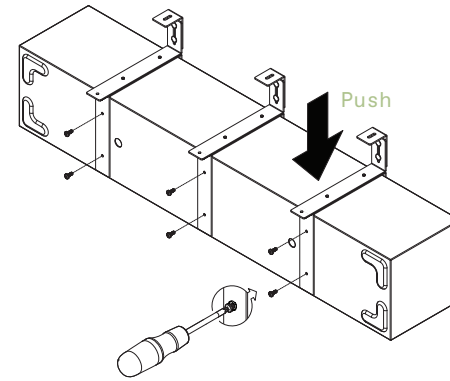


1x
Planter



part d

Align holes by pushing down on
planter bracket while screwing in
bottom hole, followed by top hole.
Repeat for each bracket.



6x
Screw
(Large)

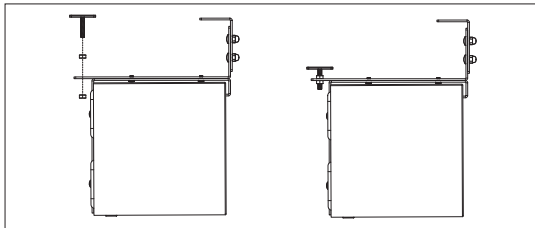
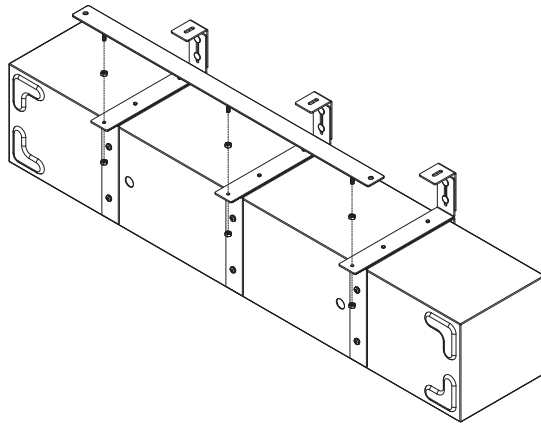
part e



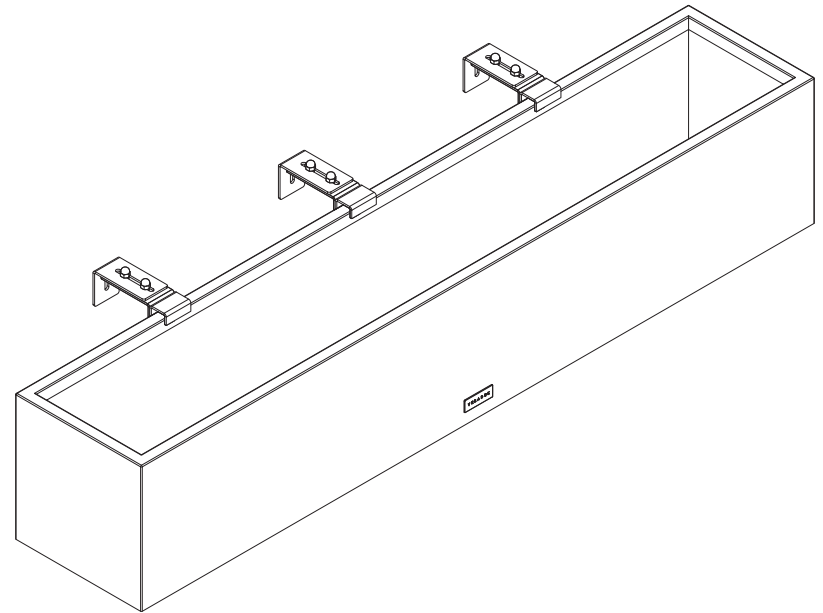
6x
Nut



1x
Leveling
Bar



completed



V
|
O



01 corner box - 02 cube - 03 raised garden bed - 04 long box -
05 window box/railing planter - 06 pedestal - 07 span

about the metallic series

Metallic Series planters are not only artfully designed, but are also built with quality that you can see and feel. Constructed from thick-gauge, rust resistant, galvanized steel, all Metallic Series planters are fully insulated and protected with a strong, scratch resistant, powdercoated finish. Metallic Series planters are crack-proof and are designed to be left outdoors year round in both commercial and residential settings. Pair your Metallic Series planter with our Drip Trays to prevent water runoff or even bring your planters indoors!

Check out more Metallic Series products at [veradek.com](https://www.veradek.com)
Questions? Email info@veradek.com

meet you
outside.