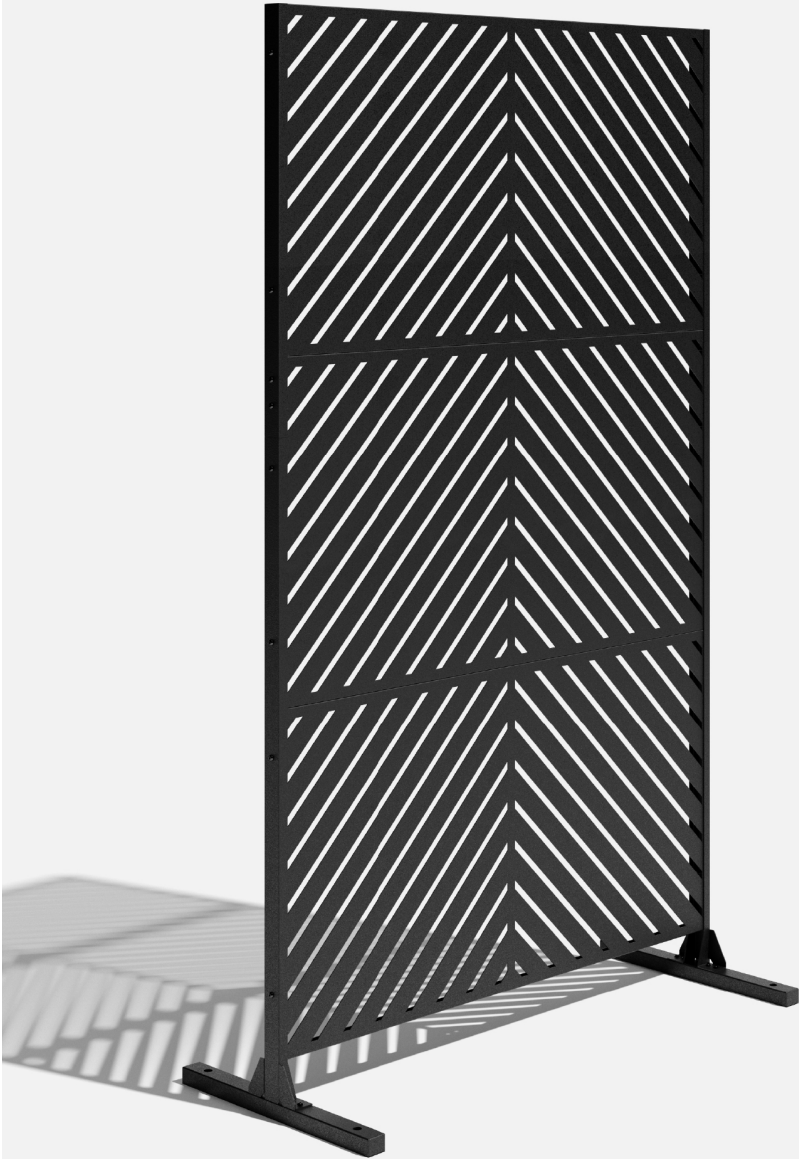


privacy screen three panel set instructions



V
|
O



parts and components

*Although the Arrow pattern is shown, these assembly instructions apply to ALL 3 panel Privacy Screen sets.



28x
Screw



28x
Hex Nut

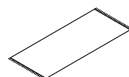


1x
Allen Key

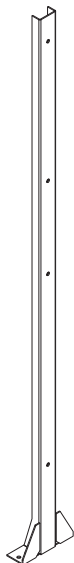
Not Included



Adjustable
Wrench



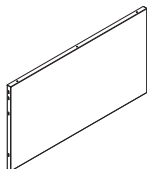
Soft
Working
Surface



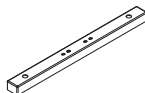
2x
Bottom
Sidebar



2x
Top
Sidebar



3x
Screen
Panel



2x
Stand
Feet



2x
Support
Bracket

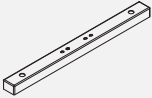
part a



8x
Screw



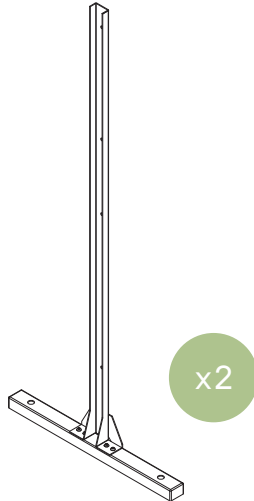
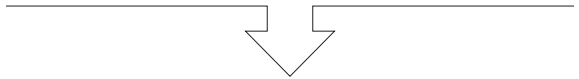
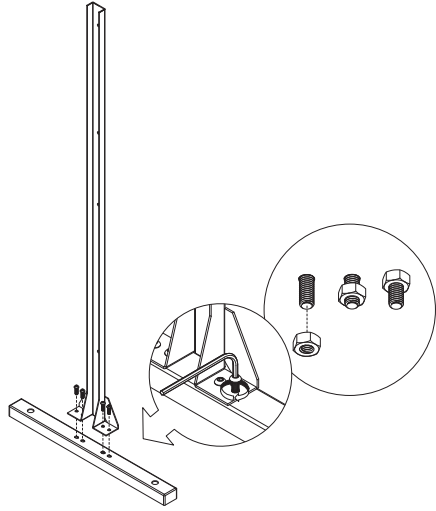
8x
Hex Nut



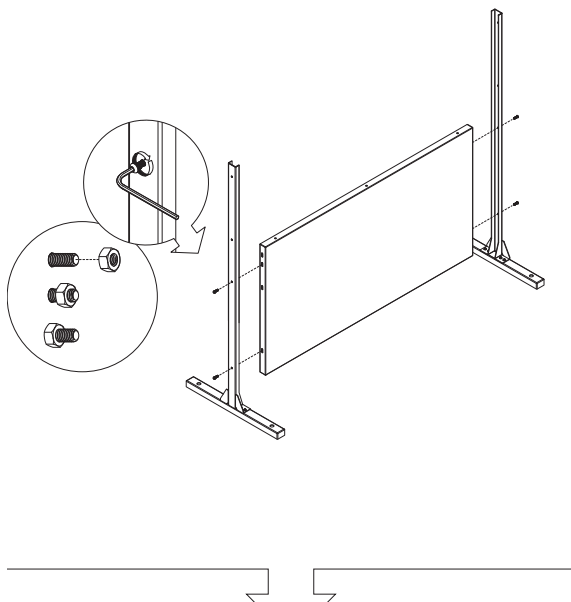
2x
Stand
Feet



2x
Bottom
Sidebar



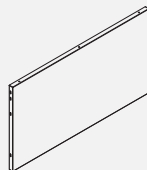
part b



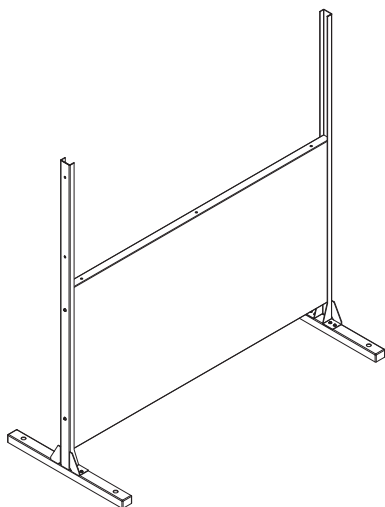
4x
Screw



4x
Hex Nut



1x
Screen
Panel



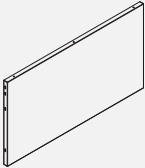
part c



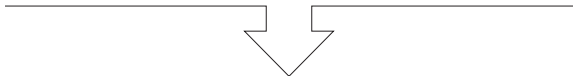
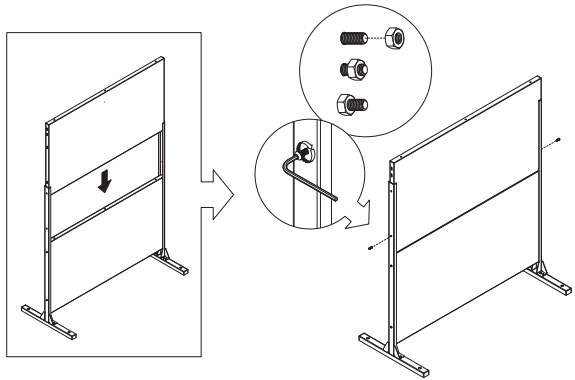
2x
Screw



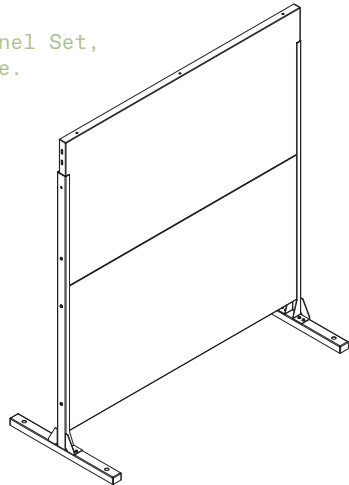
2x
Hex Nut



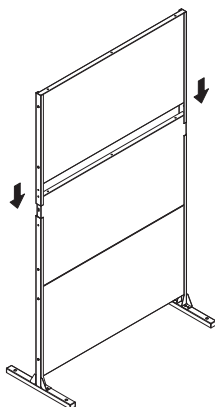
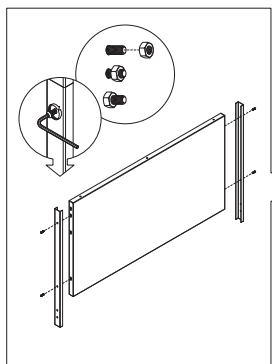
1x
Screen
Panel



For 2 Panel Set,
stop here.



part d



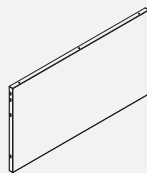
6x
Screw



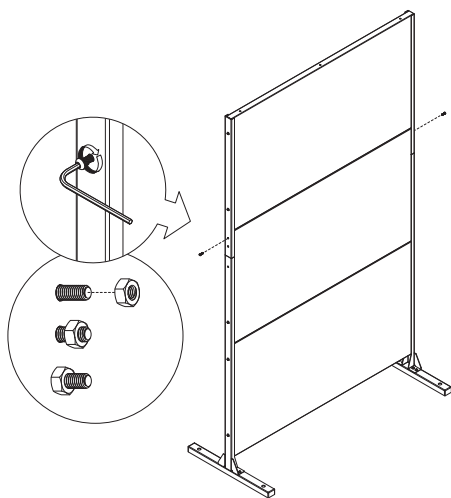
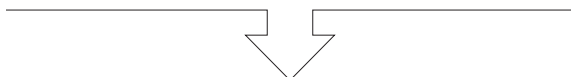
6x
Hex Nut



2x
Top
Sidebar



1x
Screen
Panel



part e



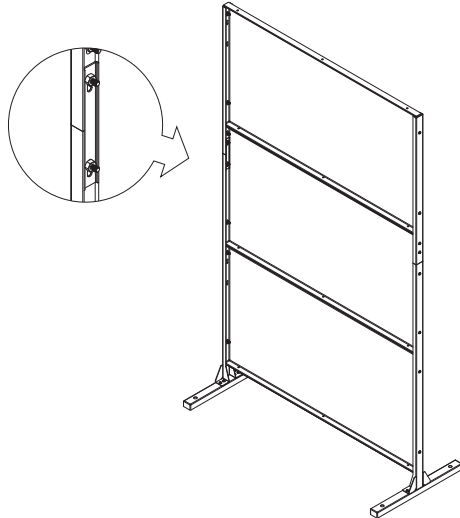
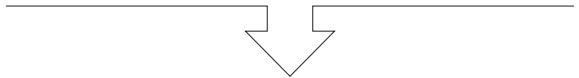
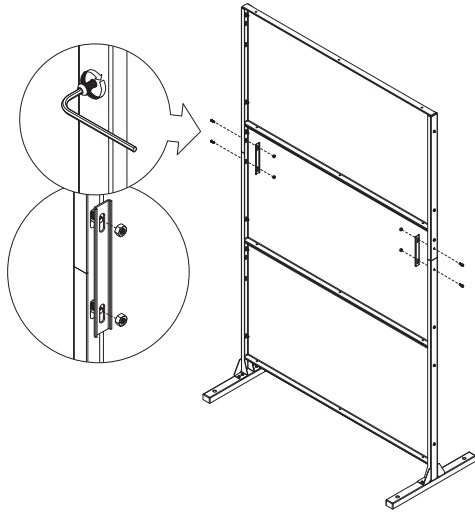
4x
Screw



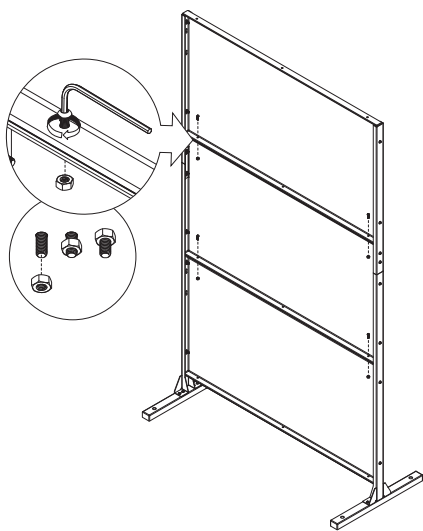
4x
Hex Nut



2x
Support
Bracket



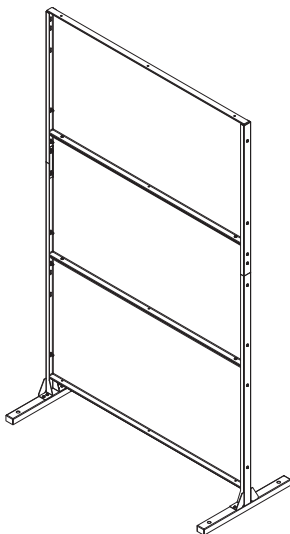
part f



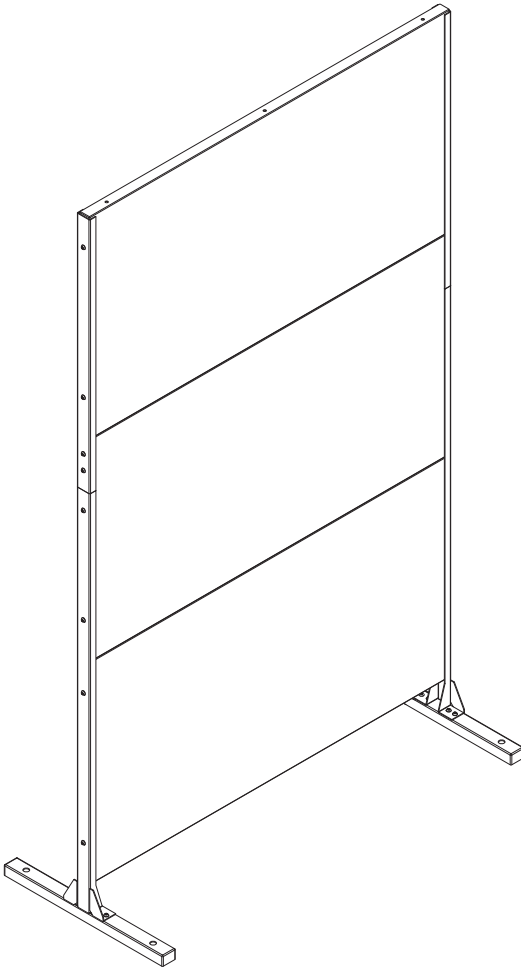
4x
Screw



4x
Hex Nut



complete



assemble.
arrange.
transform.

your living
space
extended.

meet you
outside.