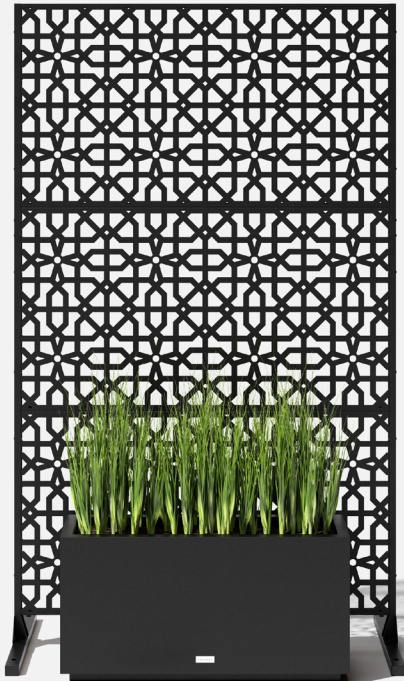
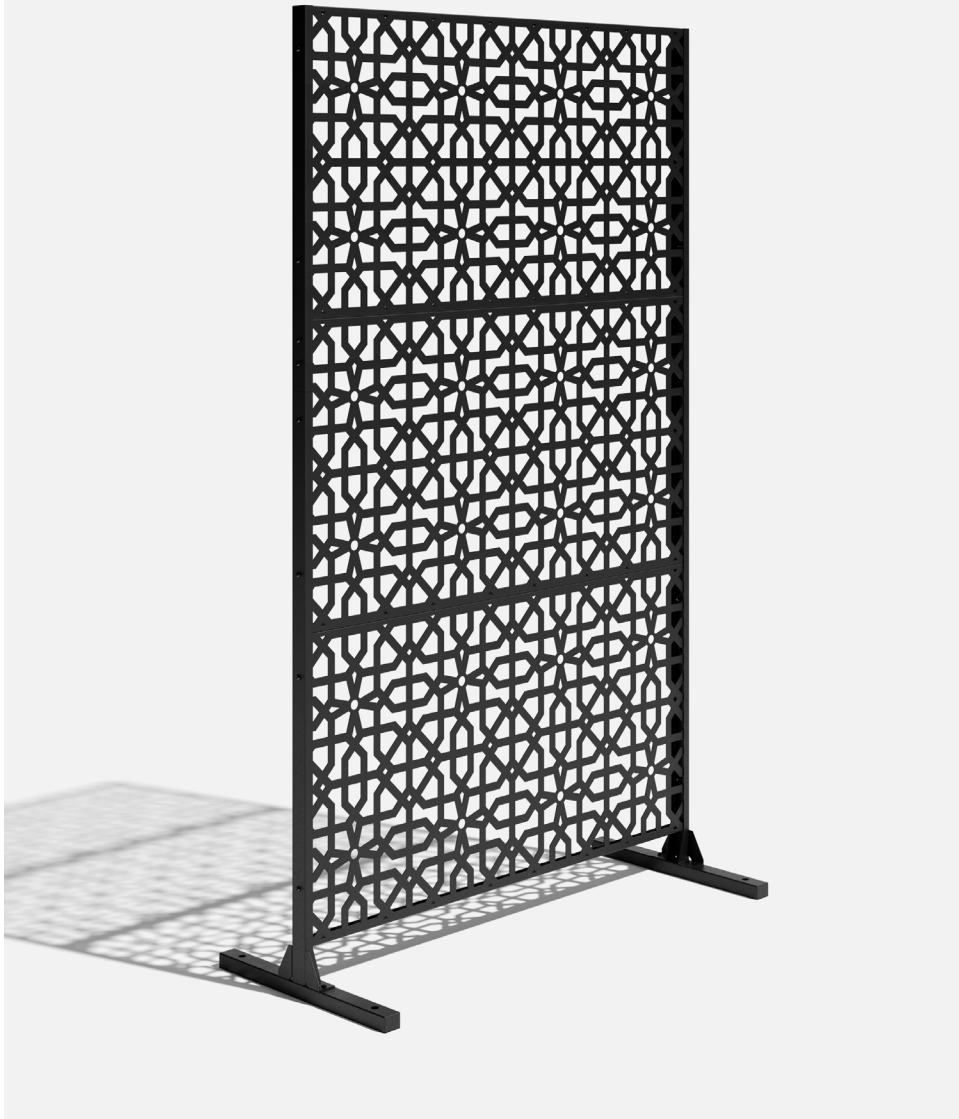


# privacy screen two panel/three panel screen set instructions



V  
|  
O



# parts and components

\*Although the Parilla pattern is shown, these assembly instructions apply to ALL 2 and 3 panel Privacy Screen sets.



24x  
Screw

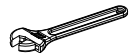


24x  
Hex Nut

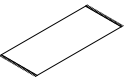


1x  
Allen Key

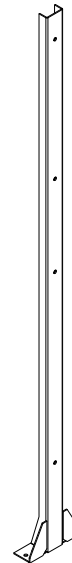
Not Included



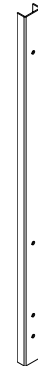
Adjustable  
Wrench



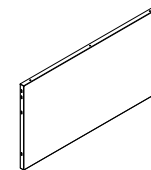
Soft  
Working  
Surface



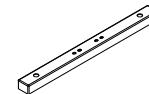
2x  
Bottom  
Sidebar



2x  
Top  
Sidebar



2/3x  
Screen  
Panel



2x  
Stand  
Feet

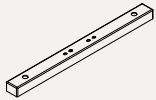
# part a



8x  
Screw



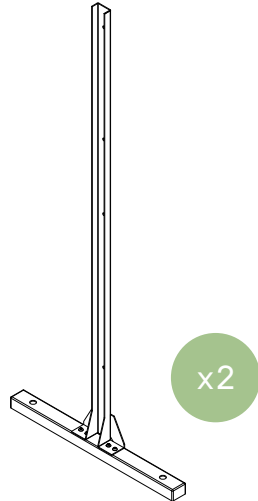
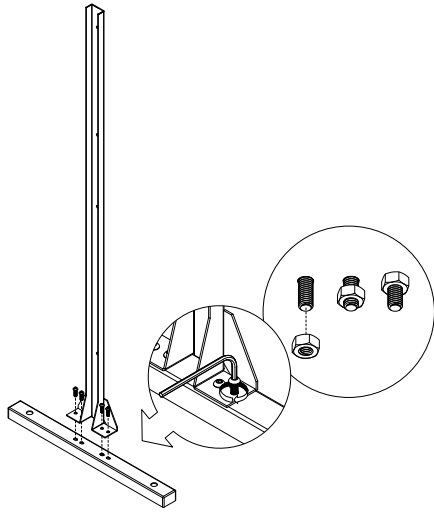
8x  
Hex Nut



2x  
Stand  
Feet



2x  
Bottom  
Sidebar



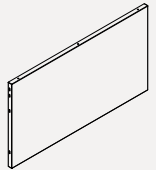
# part b



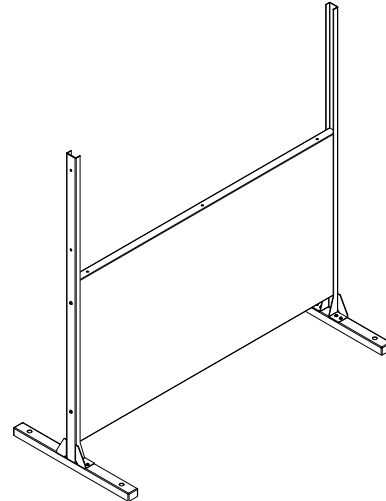
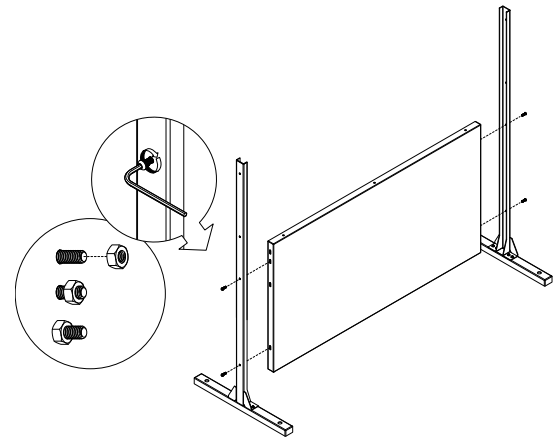
4x  
Screw



4x  
Hex Nut



1x  
Screen  
Panel



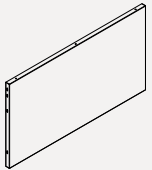
# part c



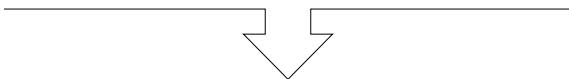
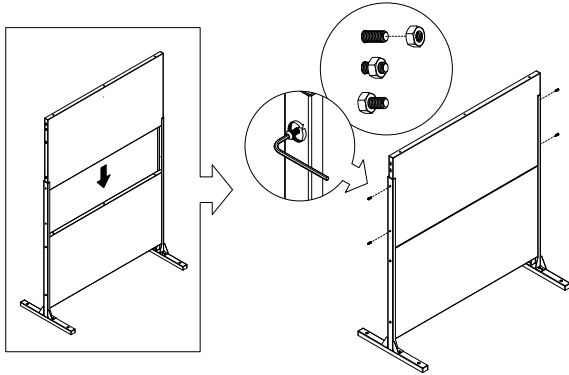
4x  
Screw



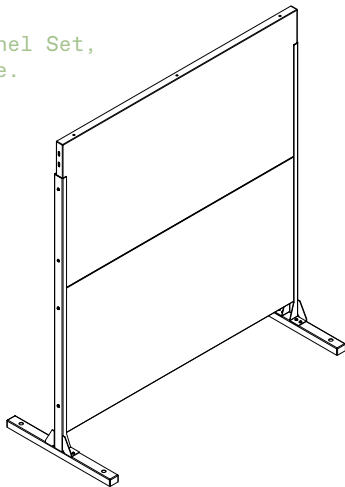
4x  
Hex Nut



1x  
Screen  
Panel



For 2 Panel Set,  
stop here.



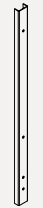
# part d



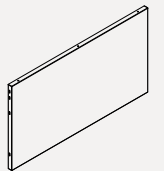
8x  
Screw



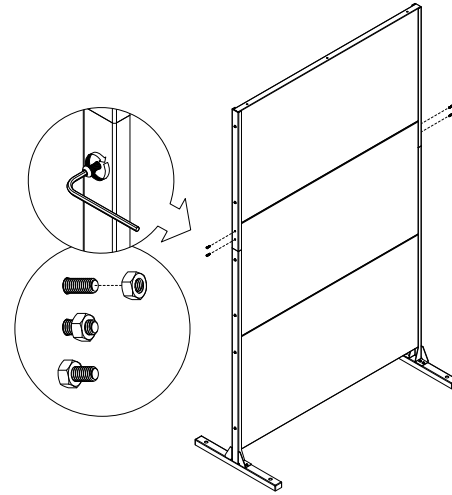
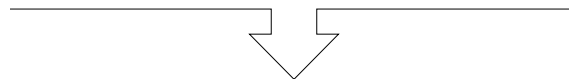
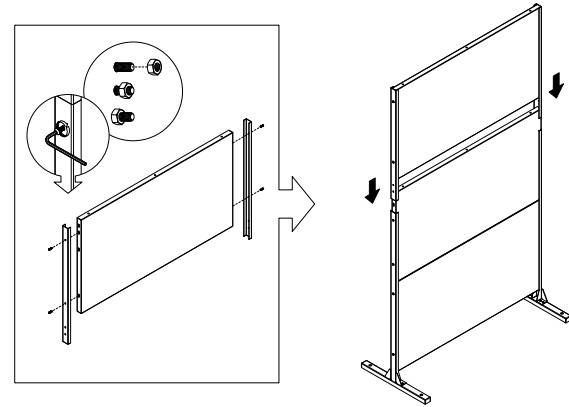
8x  
Hex Nut



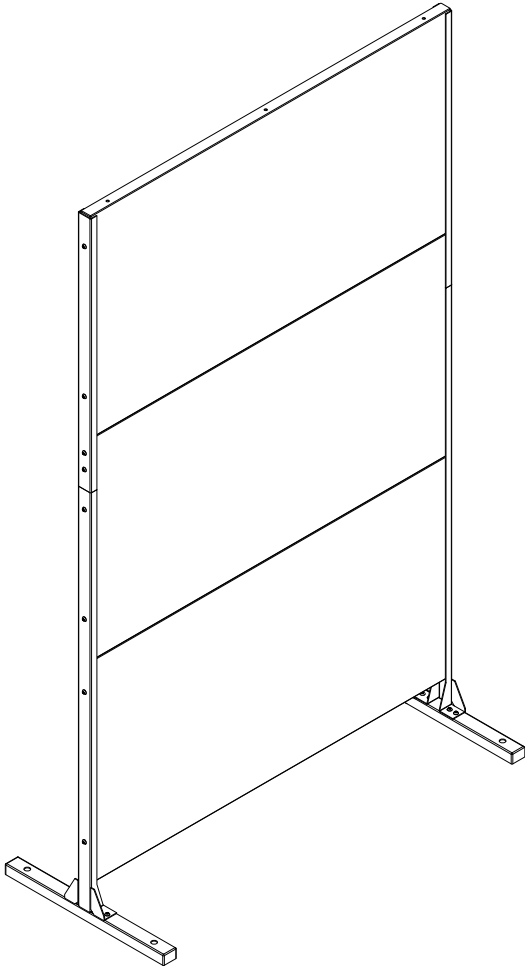
2x  
Top  
Sidebar



1x  
Screen  
Panel



complete



assemble.  
arrange.  
transform.

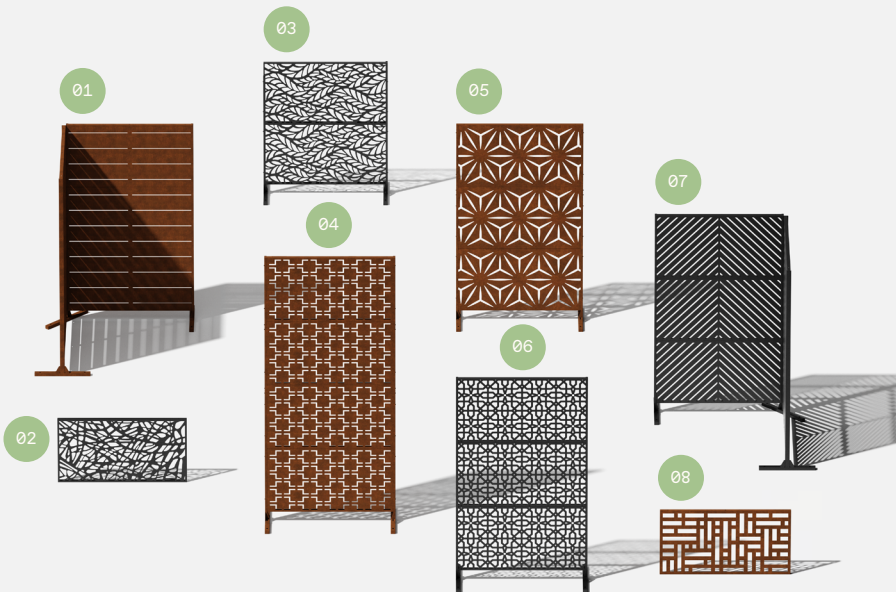
your living  
space  
extended.

V  
|  
O

## about the privacy screen series

No one wants an audience as they soak in the hot tub after a long week!

Veradek Outdoor Privacy Screens are the perfect solution for creating breathtaking spaces while adding essential privacy to your property. Made from durable galvanized steel or Corten steel, our Privacy Screens are modern, modular, and easy to assemble without the need for permanent anchoring! Available in 8 beautiful, unique patterns and various privacy ratings, there's a Privacy Screen to suit your unique style!



01 Linear Corner Screen - 02 Web Panel - 03 Flowleaf Two Panel -  
04 Quadra Four Panel - 05 Star Three Panel - 06 Parilla Three Panel -  
07 Arrow Corner Screen - 08 Blocks Panel

Questions? Email [info@veradek.com](mailto:info@veradek.com)

meet you  
outside.