

privacy screen two panel/three panel screen set instructions



V
|
O



parts and components

*Although the Blocks pattern is shown, these assembly instructions apply to ALL 2 and 3 panel Privacy Screen sets.



24x
Screw

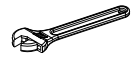


24x
Hex Nut

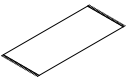


1x
Allen Key

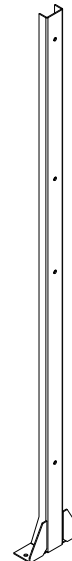
Not Included



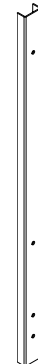
Adjustable
Wrench



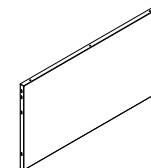
Soft
Working
Surface



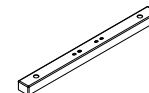
2x
Bottom
Sidebar



2x
Top
Sidebar



2/3x
Screen
Panel



2x
Stand
Feet

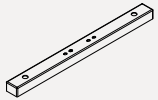
part a



8x
Screw



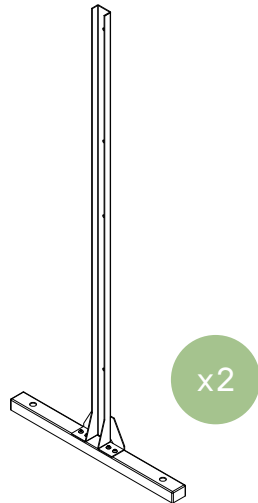
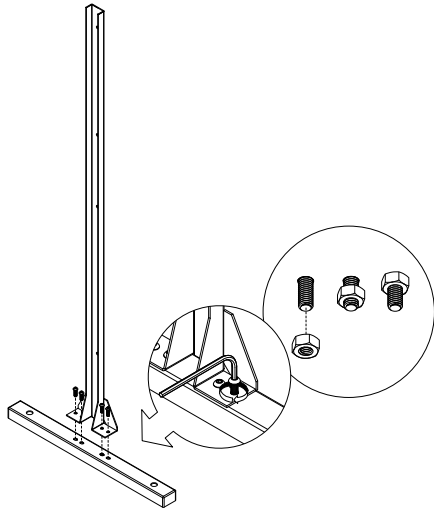
8x
Hex Nut



2x
Stand
Feet



2x
Bottom
Sidebar



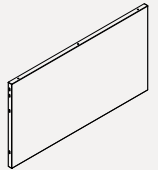
part b



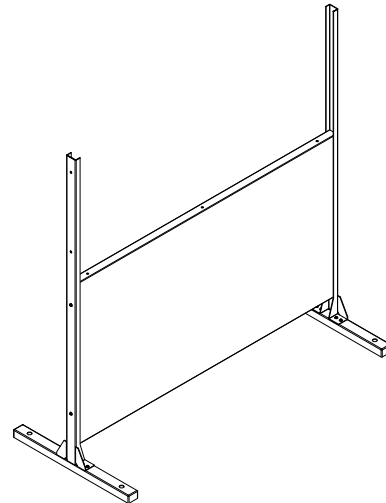
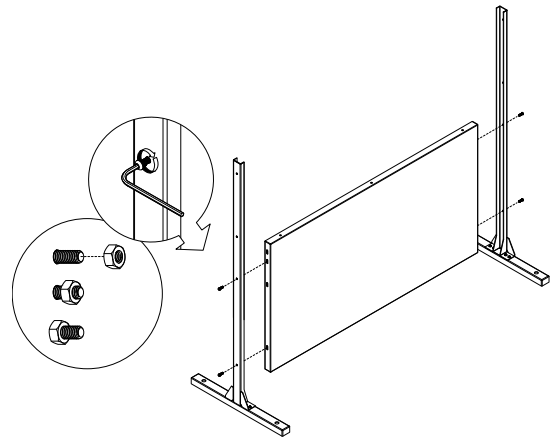
4x
Screw



4x
Hex Nut



1x
Screen
Panel



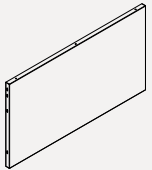
part c



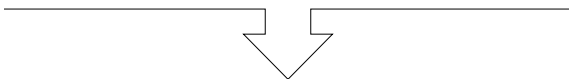
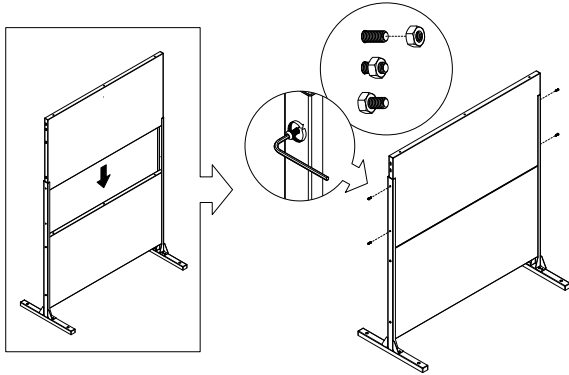
4x
Screw



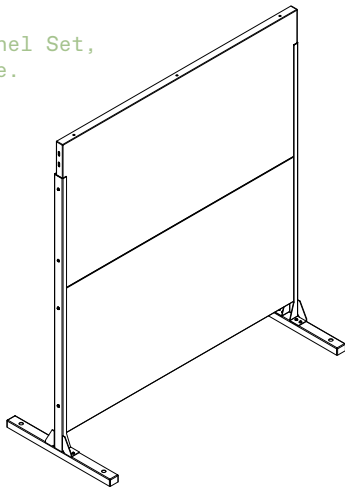
4x
Hex Nut



1x
Screen
Panel



For 2 Panel Set,
stop here.



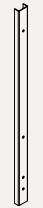
part d



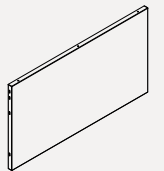
8x
Screw



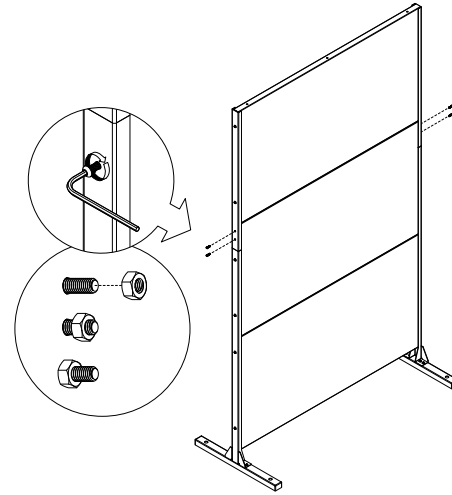
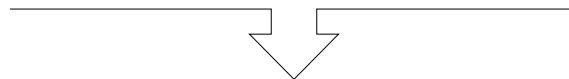
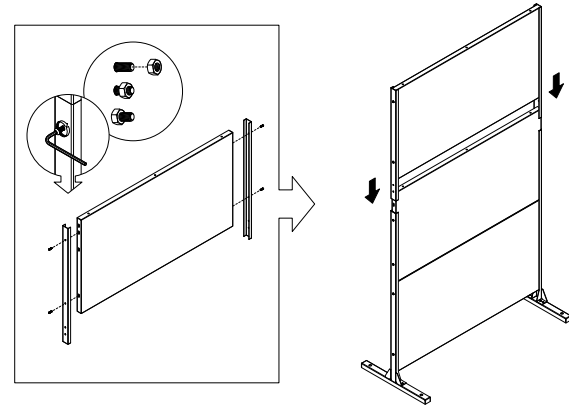
8x
Hex Nut



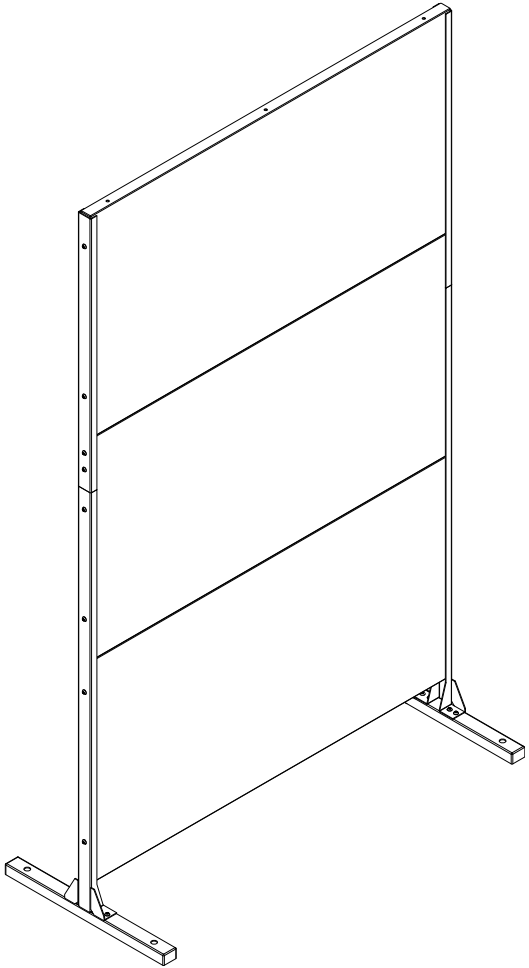
2x
Top
Sidebar



1x
Screen
Panel



complete



assemble.
arrange.
transform.

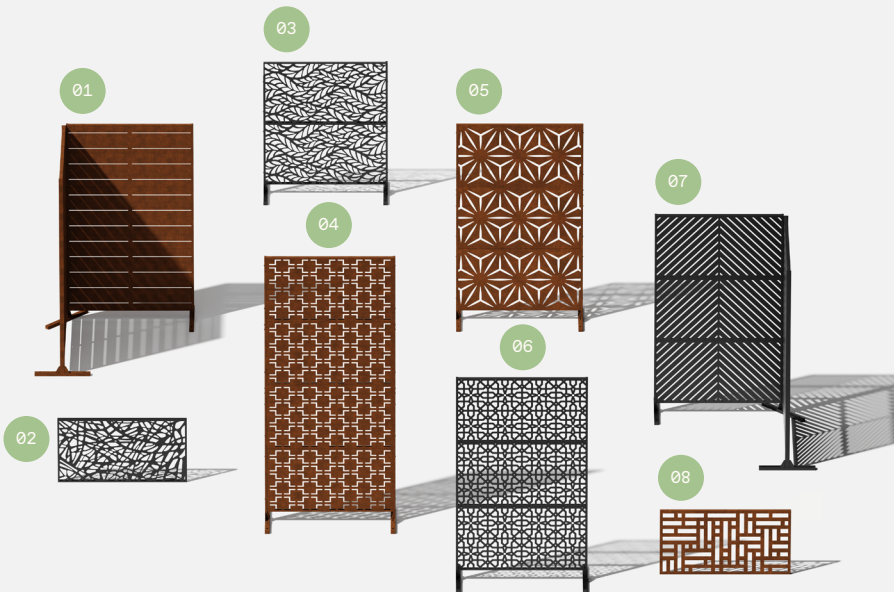
your living
space
extended.

V
|
O

about the privacy screen series

No one wants an audience as they soak in the hot tub after a long week!

Veradek Outdoor Privacy Screens are the perfect solution for creating breathtaking spaces while adding essential privacy to your property. Made from durable galvanized steel or Corten steel, our Privacy Screens are modern, modular, and easy to assemble without the need for permanent anchoring! Available in 8 beautiful, unique patterns and various privacy ratings, there's a Privacy Screen to suit your unique style!



01 Linear Corner Screen - 02 Web Panel - 03 Flowleaf Two Panel -
04 Quadra Four Panel - 05 Star Three Panel - 06 Parilla Three Panel -
07 Arrow Corner Screen - 08 Blocks Panel

Questions? Email info@veradek.com

meet you
outside.