

pure series

window box planter

black



espresso



gray



white



materials

durable polypropylene construction
made in canada

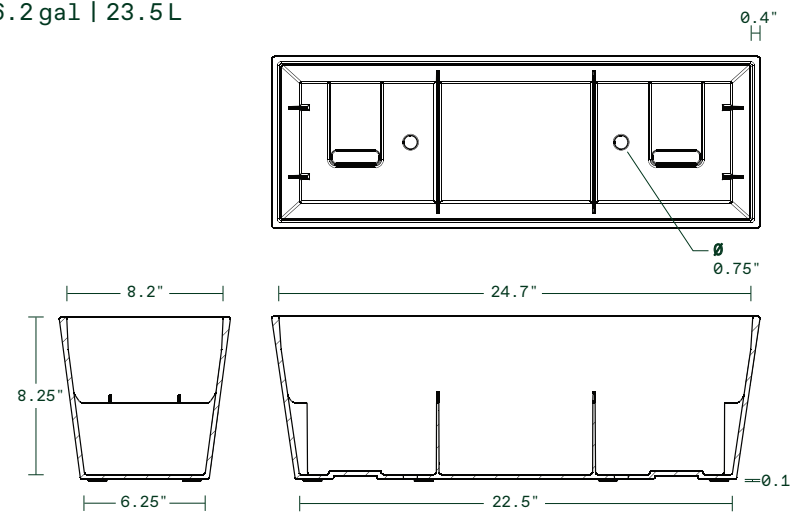
features

all weather resistant
scratch resistant
fade resistant
crack proof

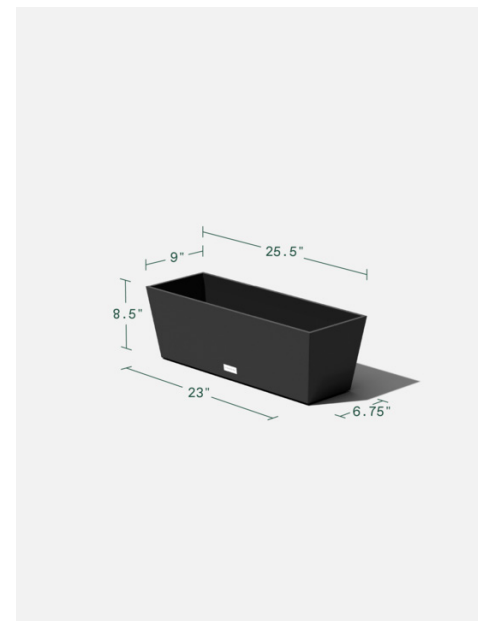
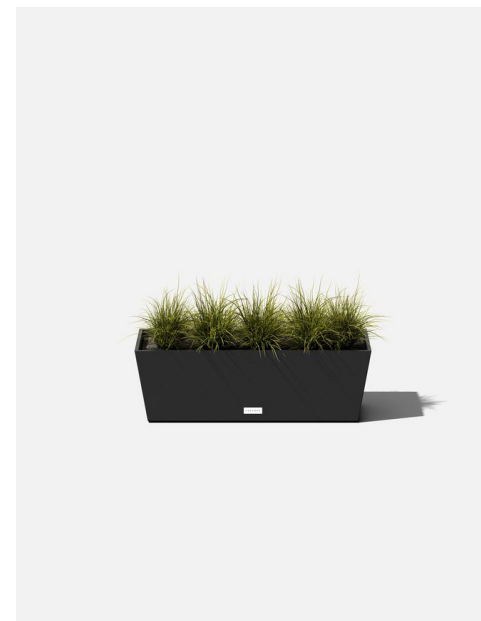
drainage holes
5 year limited warranty

window box twenty-five

25.5"L x 9"W x 8.5"H
Weight: 6 lbs
Capacity: 6.2 gal | 23.5 L



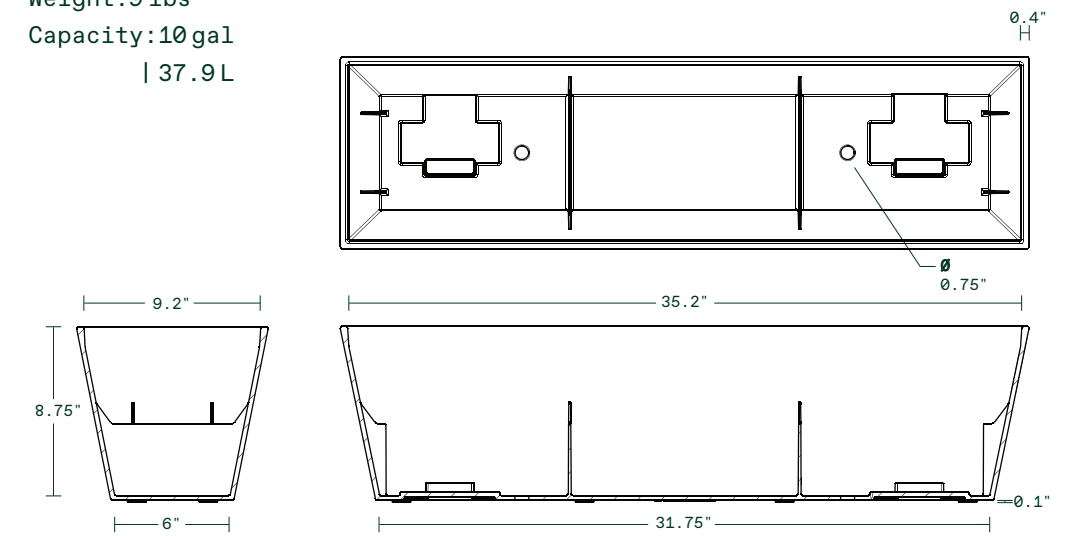
Interior Dimensions



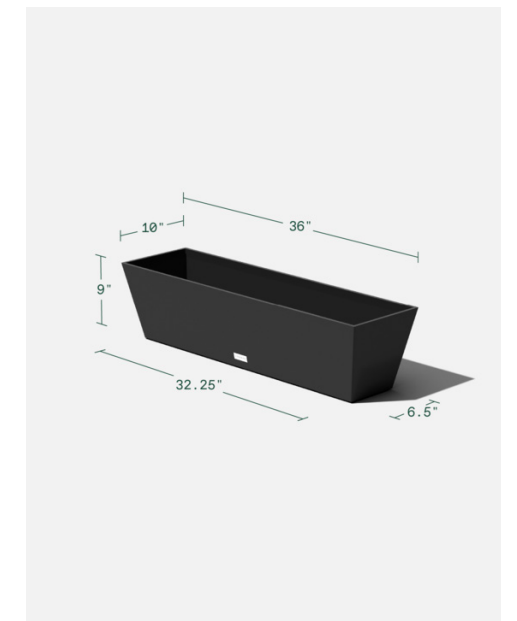
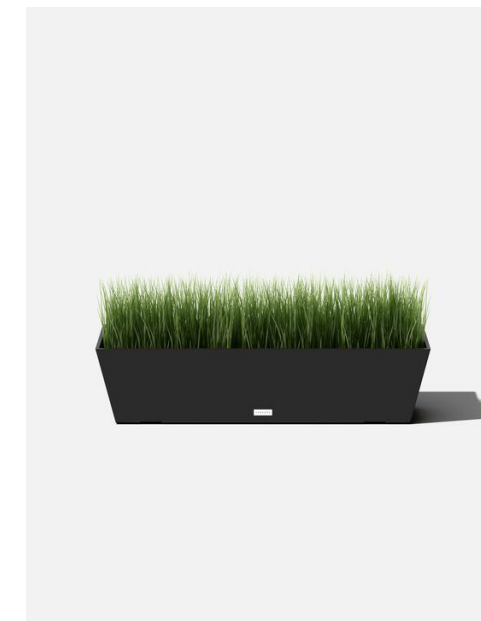
Exterior Dimensions

window box thirty-six

36"L x 10"W x 9"H
Weight: 9 lbs
Capacity: 10 gal | 37.9 L



Interior Dimensions



Exterior Dimensions