

pure series

selena planter

black



espresso



gray



white



materials

durable polypropylene construction
made in canada

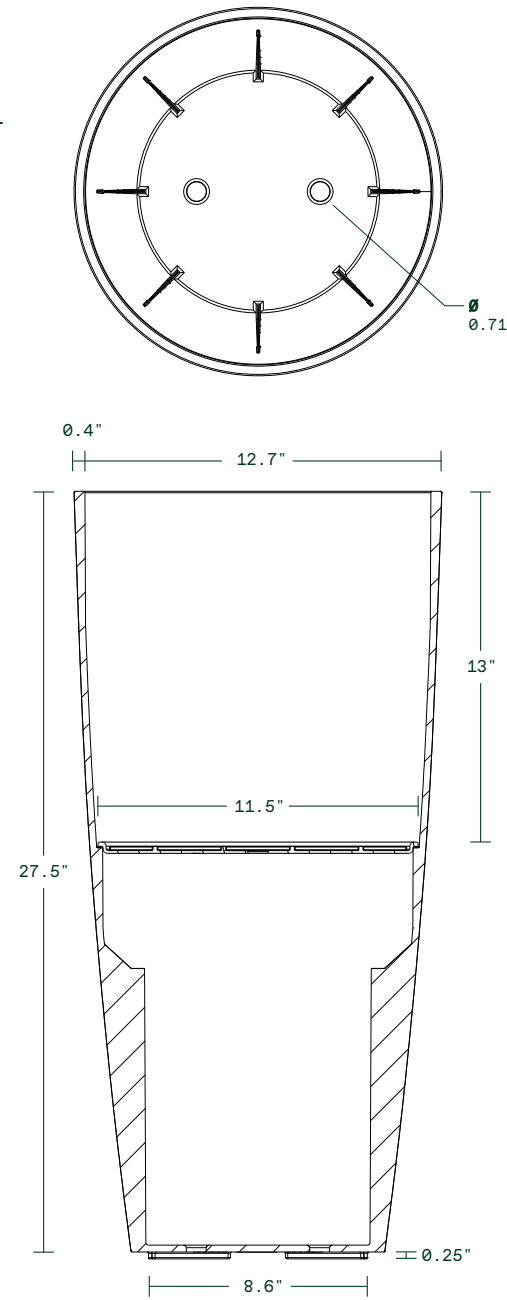
features

all weather resistant
scratch resistant
fade resistant
crack proof

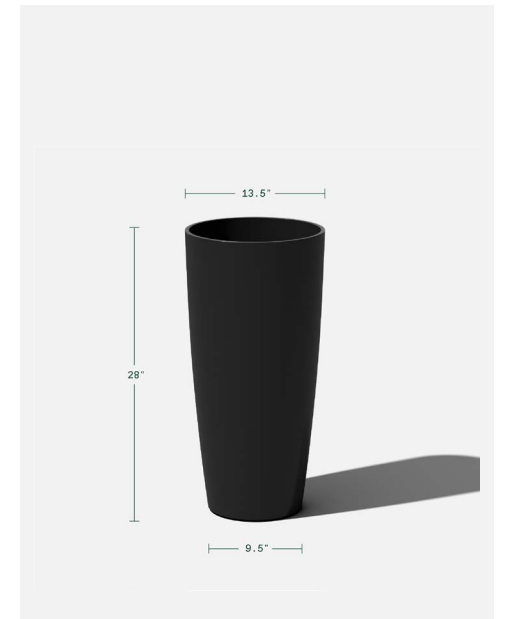
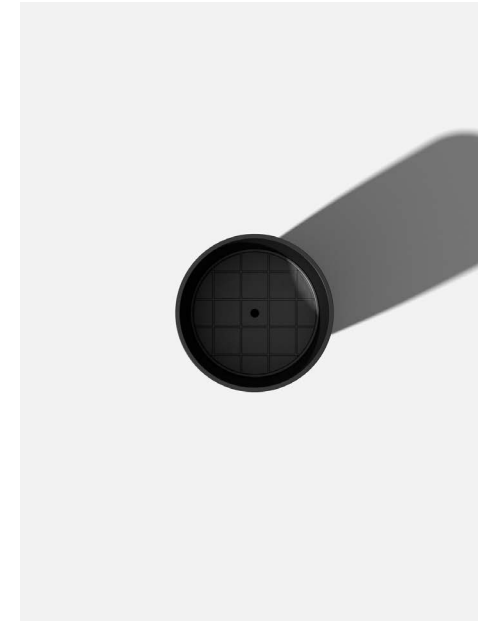
drainage holes
insert shelf included
5 year limited
warranty

selena twenty-eight

13.5"D x 28"H
Weight: 11.3 lbs
Capacity: 12.1 gal | 45.8 L
Capacity with Shelf: 6.7 gal | 25.5 L



Interior Dimensions



Exterior Dimensions