

pure series

kona bowl planter

black



espresso



gray



white



materials

durable polypropylene construction
made in canada

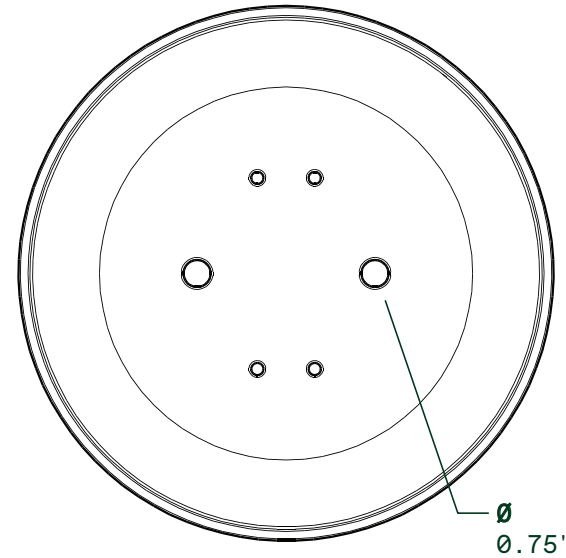
features

scratch resistant
fade resistant
crack proof

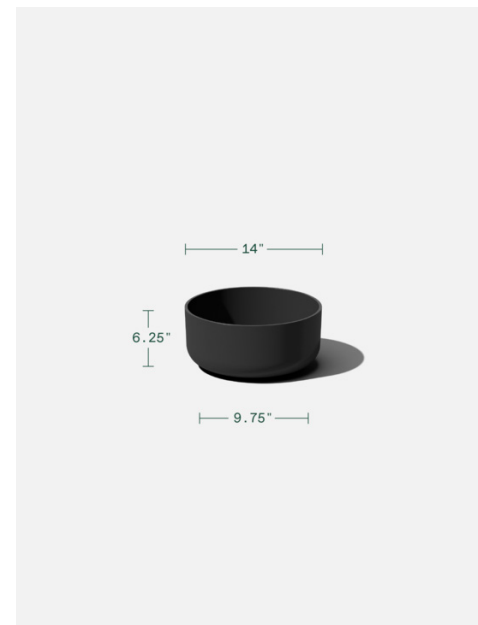
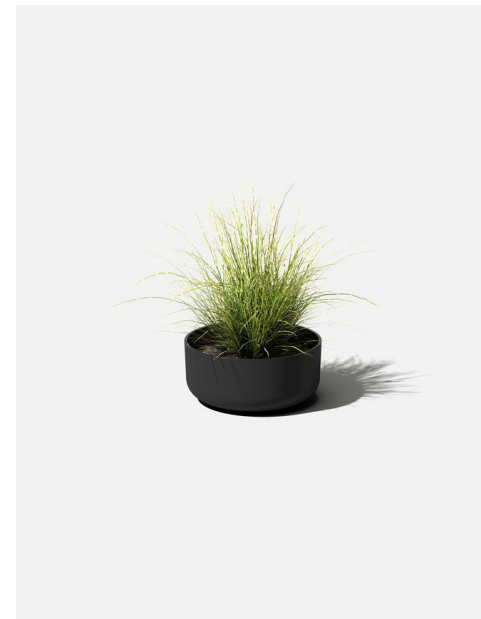
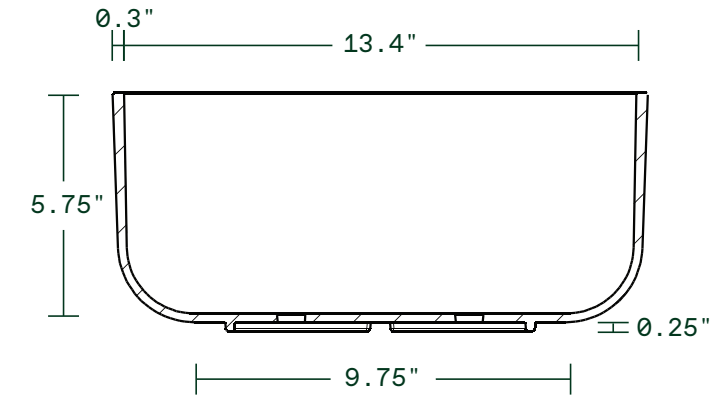
drainage holes
5 year limited
warranty

kona bowl fourteen

14"D x 6.25"H
Weight: 3 lbs
Capacity: 3.3 gal | 12.7 L



Interior Dimensions



Exterior Dimensions

