

pure series

# hanging kona bowl planter

- black 
- espresso 
- gray 
- white 

## materials

durable polypropylene construction  
galvanized steel frame  
made in canada

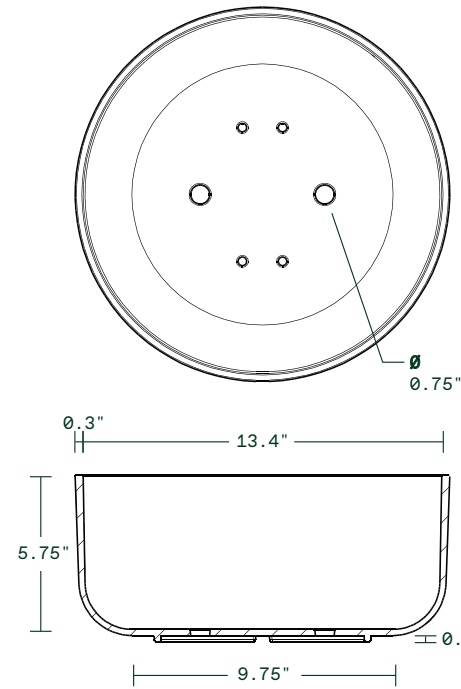
## features

scratch resistant  
fade resistant  
crack proof  
drainage holes

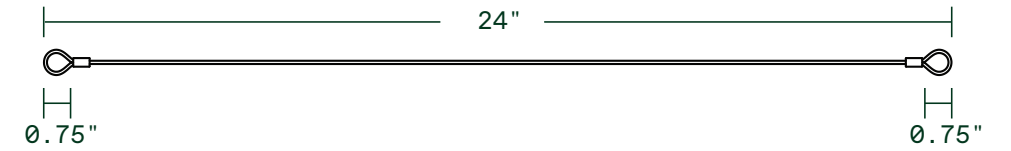
hanging bracket  
included  
5 year limited  
warranty

## hanging kona bowl fourteen

Bowl: 14"D x 6.25"H  
Bowl & Brackets: 14"L x 14"W x 28"H  
Weight: 5.3lbs  
Capacity: 3.3 gal | 12.7 L



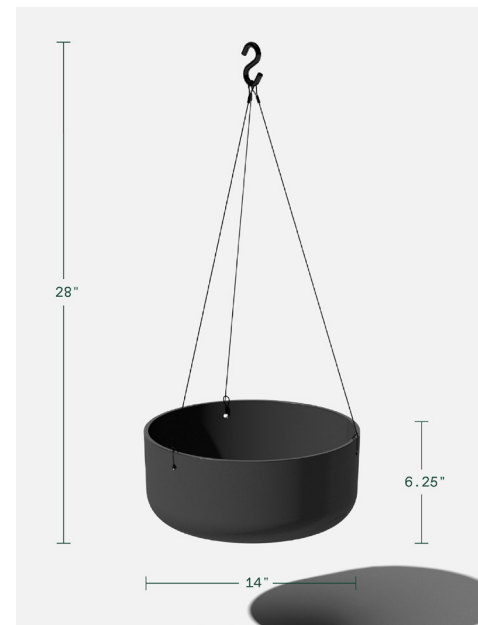
Interior Dimensions



Exterior Hanger Dimensions



Hardware Included



Exterior Dimensions

