

pro series

partition planter

partition forty

40"L x 15.5"W x 27"H

Weight: 31 lbs

Capacity: 37.1 gal | 140.7 L

black



gray



materials

durable polypropylene construction

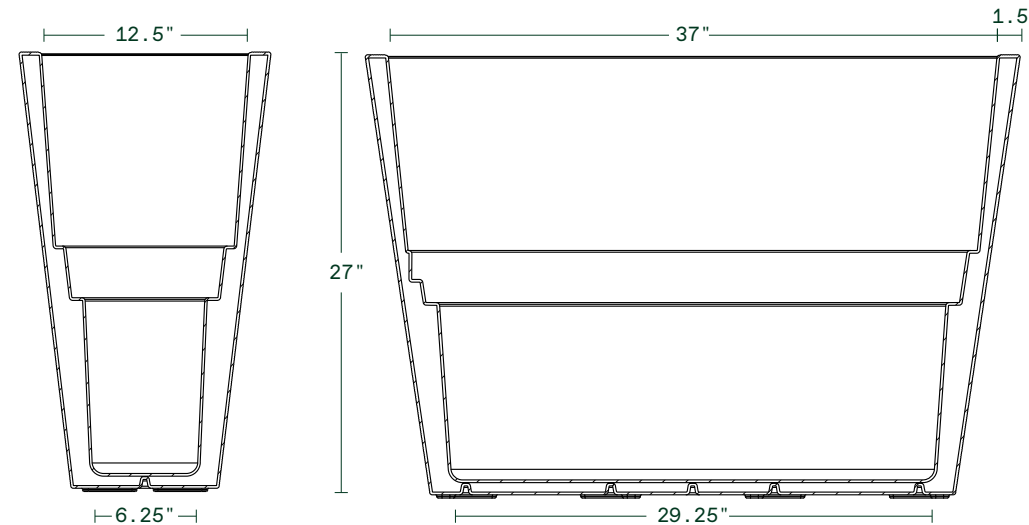
features

weather resistant
double walled
commercial grade

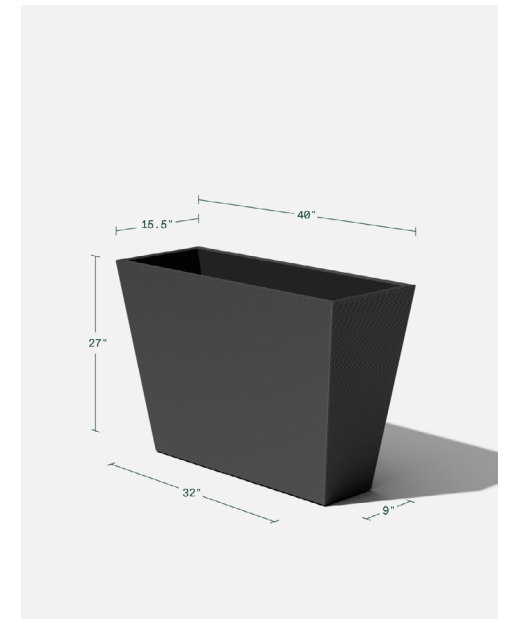
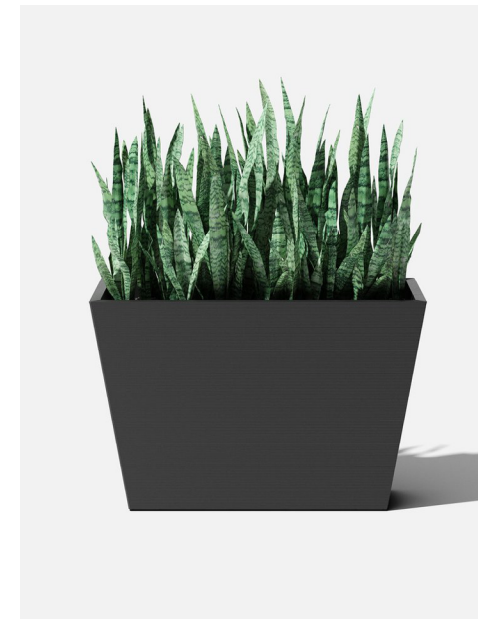
fade resistant
sealed bottom*

notes

*drainage holes can be easily drilled



Interior Dimensions



Exterior Dimensions