

privacy screen series

arrow panel

(page: 1 of 5)

black 

corten steel 

*all corten steel products arrive in their raw steel (unruled) state as shown in contents page.

materials

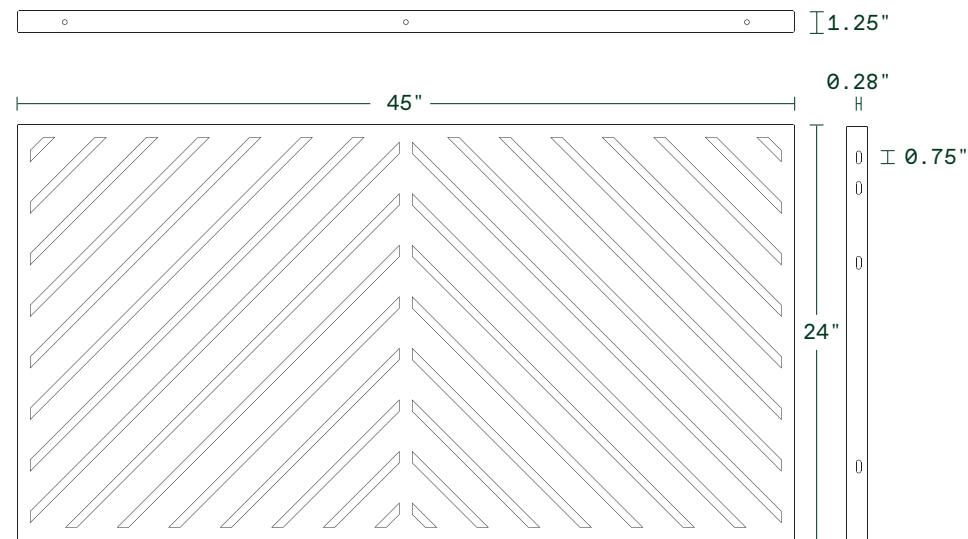
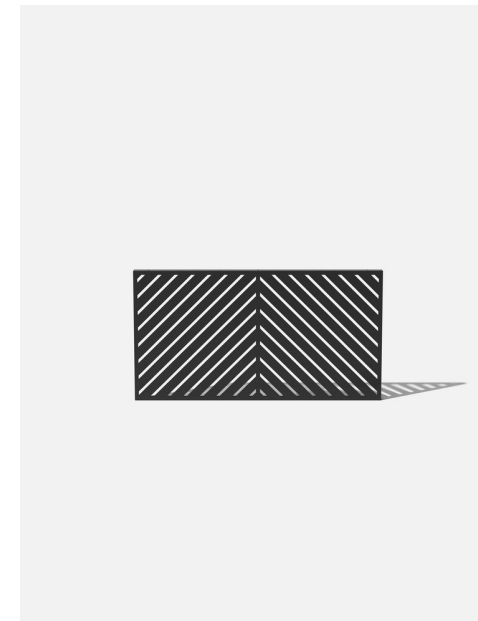
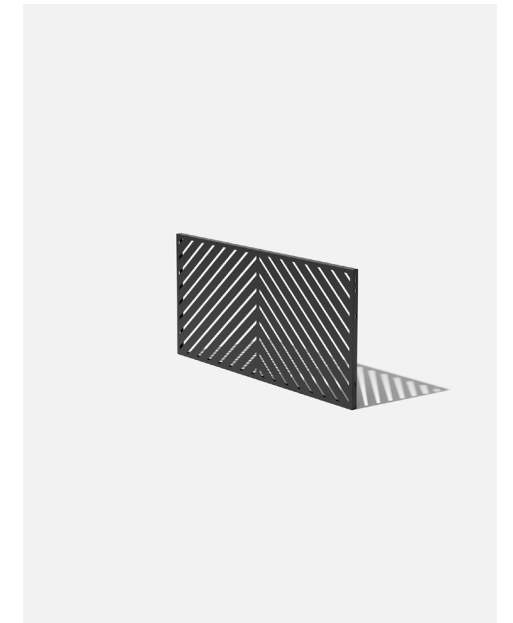
panel is made from durable 16 gauge steel

features

- modular
- all weather resistant
- optional accessories
- 85% privacy rating
- easy installation
- various configurations

arrow panel

45" L x 1.25" W x 24" H
Weight: 17 lbs



Dimensions

privacy screen series

arrow 2 panel set

(page: 2 of 5)

black



corten steel



*all corten steel products arrive in their raw steel (unrusted) state as shown in contents page.

materials

panel is made from durable 16 gauge steel
frame is made from durable 14 gauge steel

features

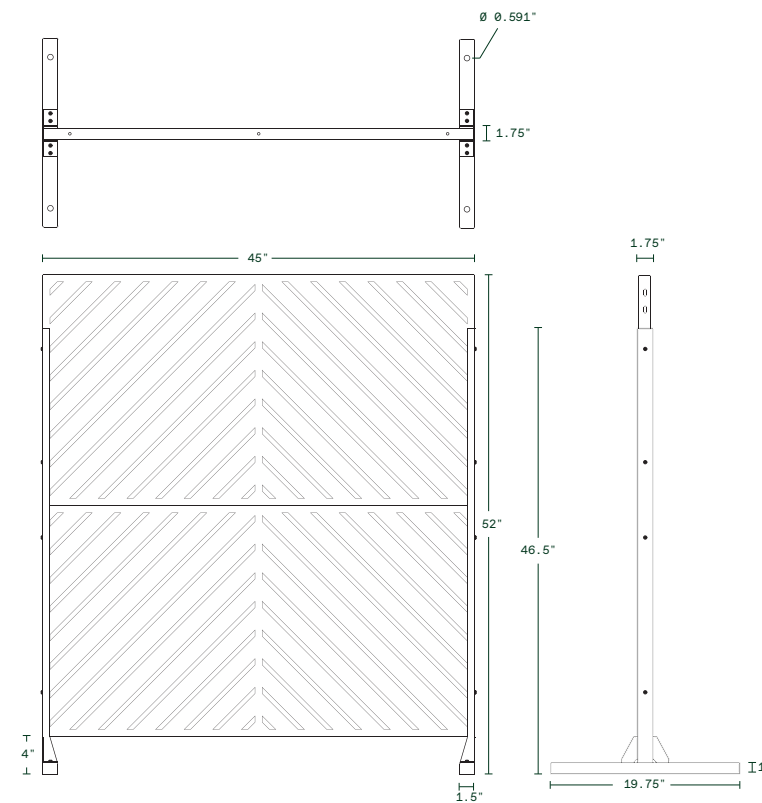
modular	85% privacy rating
all weather resistant	easy assembly
optional accessories	various configurations

notes

Though our Privacy Screens stand tall & sturdy on their own out of the box, we recommend anchoring them to the ground for added security and safety.

arrow 2 panel set

45" L x 19.75" W x 52" H
Weight: 43 lbs



Dimensions



Button Head Hex Drive Screw
M6x1mm Thread, 20mm Long



Hex Nut
M6x1mm Thread

Hardware Included



privacy screen series

arrow 3 panel set

(page: 3 of 5)

black



corten steel



*all corten steel products arrive in their raw steel (unrusted) state as shown in contents page.

materials

panel is made from durable 16 gauge steel
frame is made from durable 14 gauge steel

features

modular	85% privacy rating
all weather resistant	easy assembly
optional accessories	various configurations

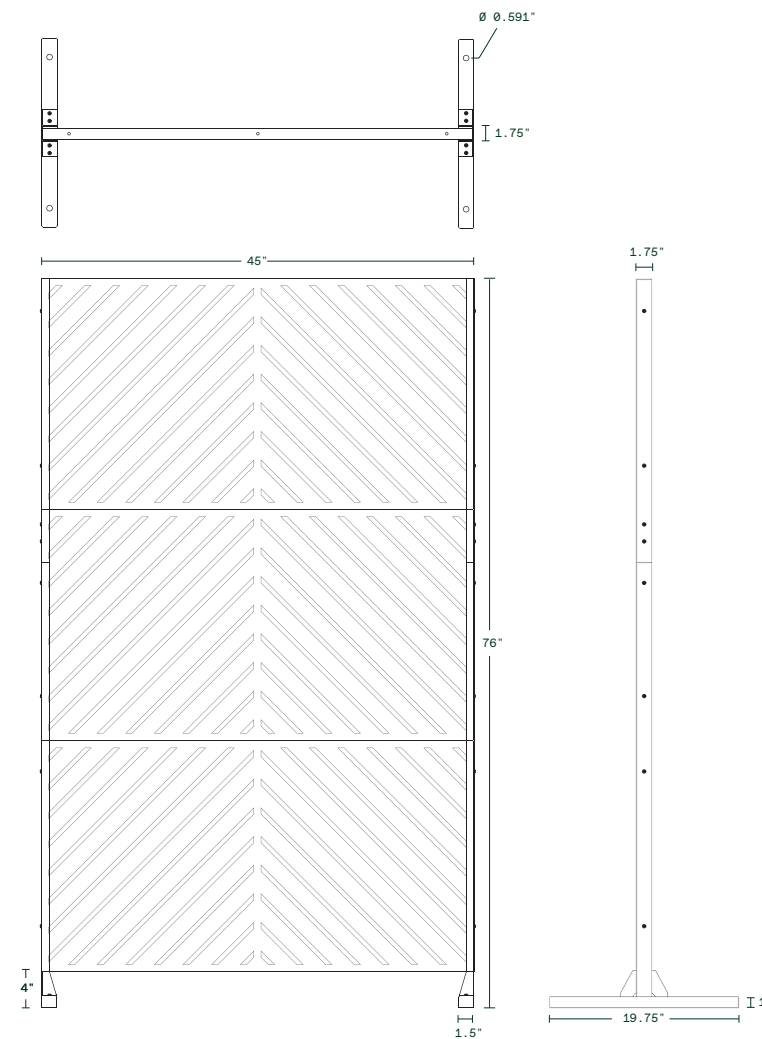
notes

Though our Privacy Screens stand tall & sturdy on their own out of the box, we recommend anchoring them to the ground for added security and safety.

arrow 3 panel set

45" L x 19.75" W x 76" H

Weight: 64 lbs



Dimensions

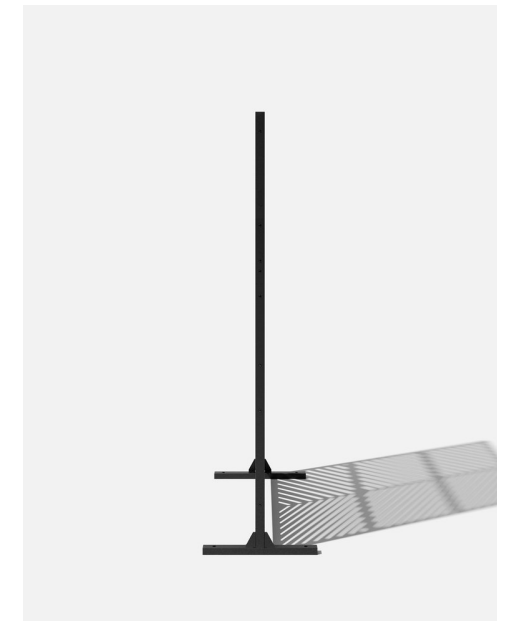


Button Head Hex Drive Screw
M6x1mm Thread, 20mm Long



Hex Nut
M6x1mm Thread

Hardware Included



privacy screen series

arrow 4 panel set

(page: 4 of 5)

black



corten steel



*all corten steel products arrive in their raw steel (unrusted) state as shown in contents page.

materials

panel is made from durable 16 gauge steel
frame is made from durable 14 gauge steel

features

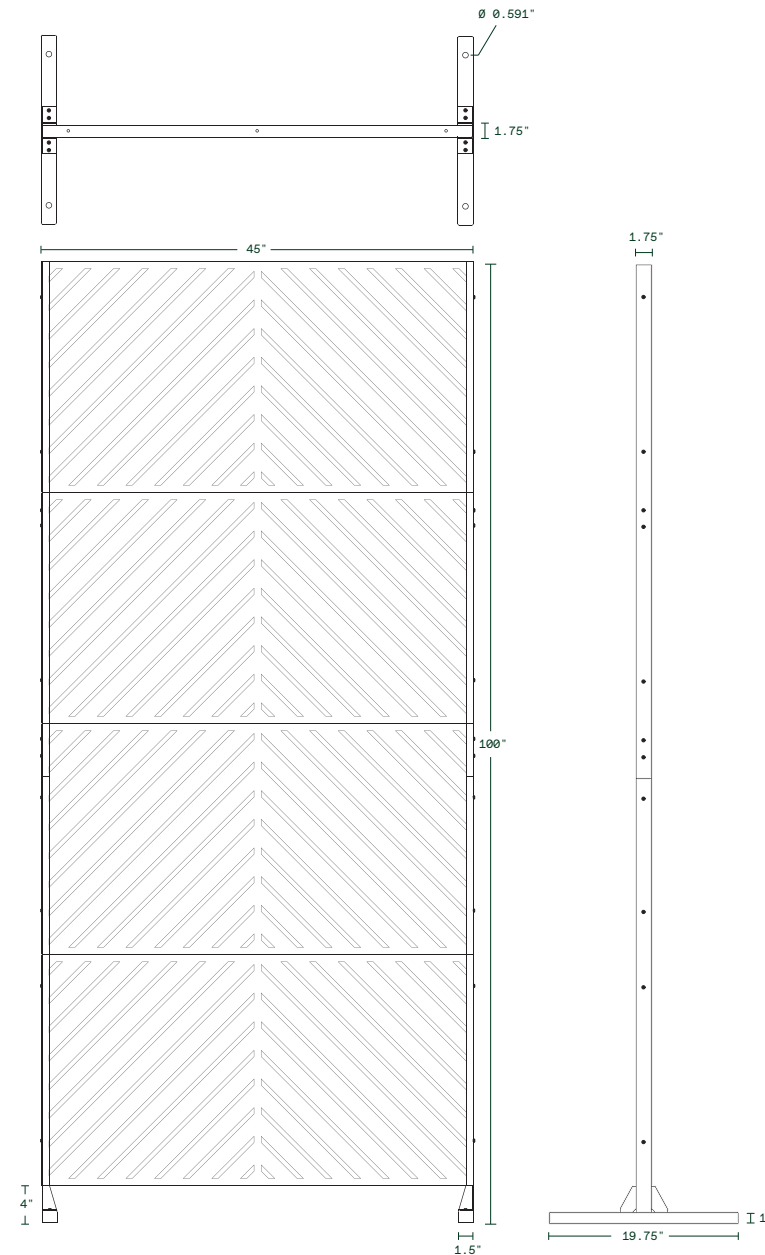
modular	85% privacy rating
all weather resistant	easy assembly
optional accessories	various configurations

notes

Though our Privacy Screens stand tall & sturdy on their own out of the box, we recommend anchoring them to the ground for added security and safety.

arrow 4 panel set

45" L x 19.75" W x 100" H
Weight: 83 lbs



Dimensions

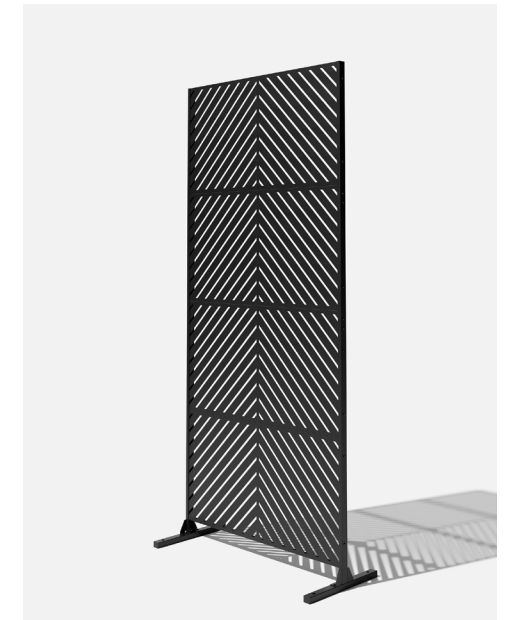


Button Head Hex Drive Screw
M6x1mm Thread, 20mm Long



Hex Nut
M6x1mm Thread

Hardware Included



privacy screen series

arrow corner set

(page: 5 of 5)

black



corten steel



*all corten steel products arrive in their raw steel (unrusted) state as shown in contents page.

materials

panel is made from durable 16 gauge steel
frame is made from durable 14 gauge steel

features

modular	85% privacy rating
all weather resistant	easy assembly
optional accessories	various configurations

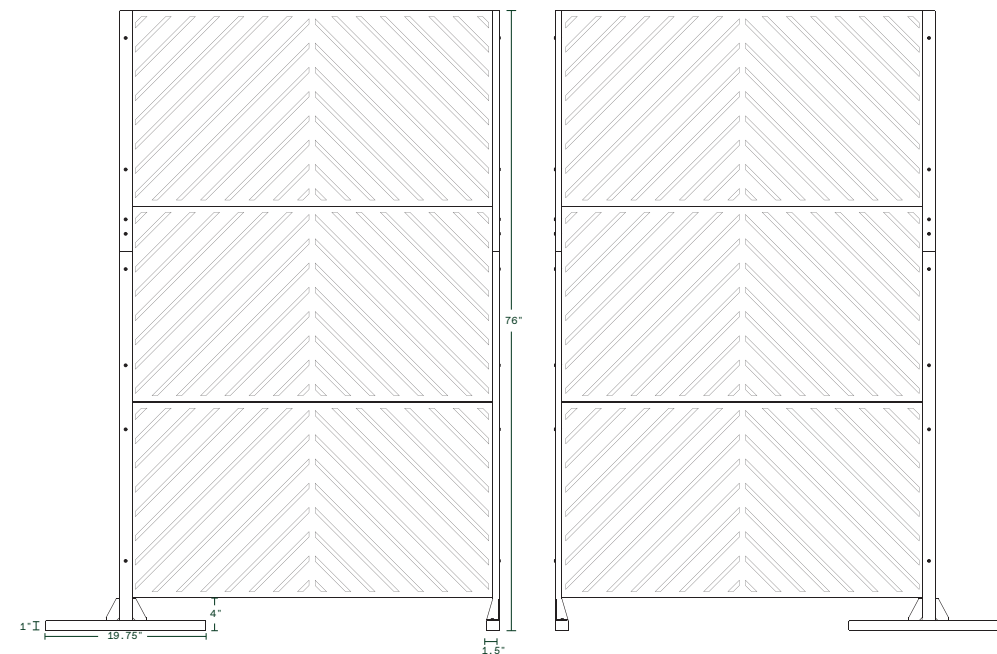
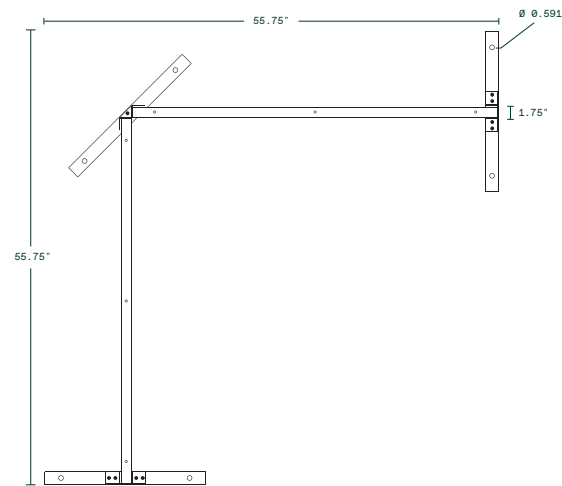
notes

Though our Privacy Screens stand tall & sturdy on their own out of the box, we recommend anchoring them to the ground for added security and safety.

arrow corner panel set

55.75" L x 55.75" W x 76" H

Weight: 123 lbs



Dimensions



Button Head Hex Drive Screw
M6×1mm Thread, 20mm Long



Hex Nut
M6×1mm Thread

Hardware Included

