

metallic series

# long box planter

(page: 1 of 2)

- black 
- gray 
- white 

**materials**

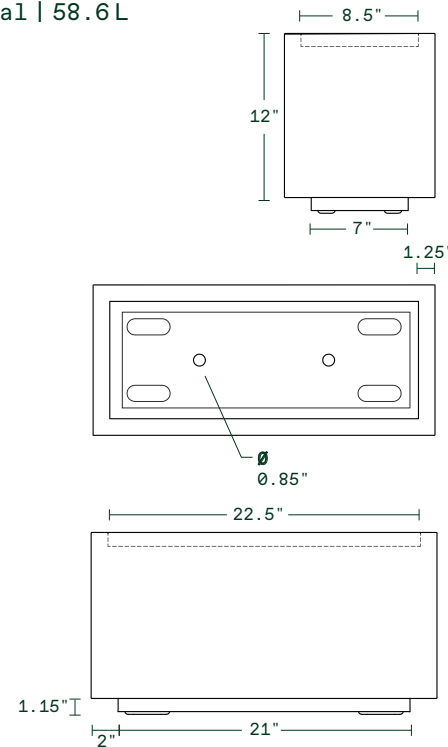
made from 16 gauge galvanized steel

**features**

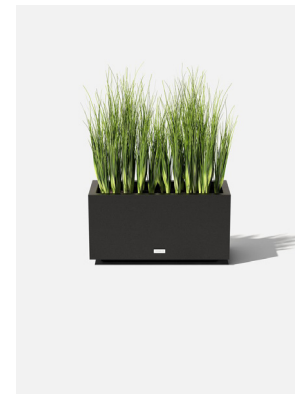
- all weather resistant
- foam insulation
- rust resistant
- scratch resistant
- powder coat
- drainage holes
- optional drip tray
- drainage plugs included
- commercial grade construction

**long box small**

25" L x 11" W x 13" H  
 Weight: 23 lbs  
 Capacity: 15.4 gal | 58.6 L



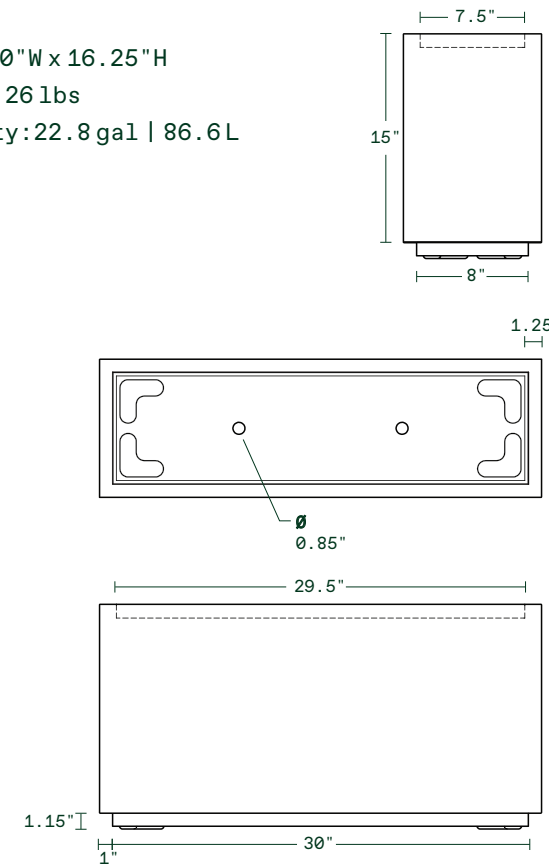
Interior Dimensions



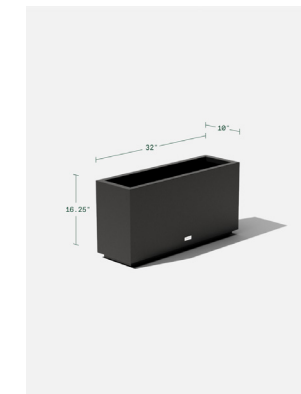
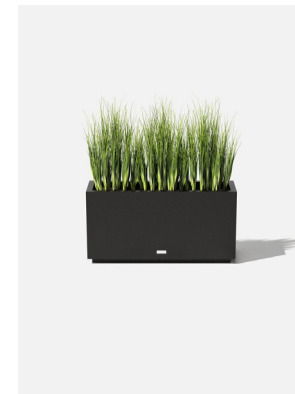
Exterior Dimensions

**long box medium**

32" L x 10" W x 16.25" H  
 Weight: 26 lbs  
 Capacity: 22.8 gal | 86.6 L



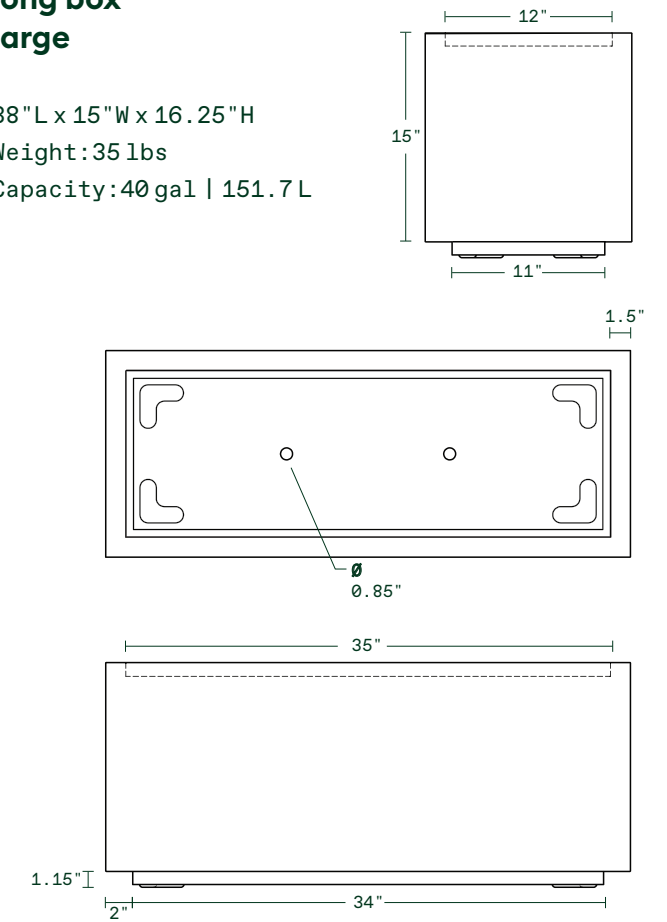
Interior Dimensions



Exterior Dimensions

**long box large**

38" L x 15" W x 16.25" H  
 Weight: 35 lbs  
 Capacity: 40 gal | 151.7 L



Interior Dimensions



Exterior Dimensions

metallic series

# long box planter

(page: 2 of 2)

black



gray



white  
(wide only)



**materials**

made from 16 gauge galvanized steel

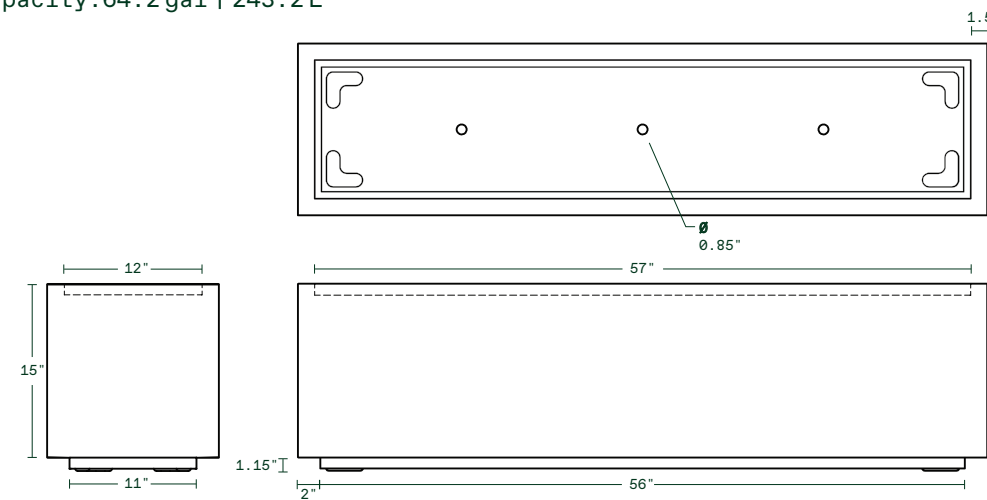
**features**

all weather resistant  
foam insulation  
rust resistant  
scratch resistant  
powder coat

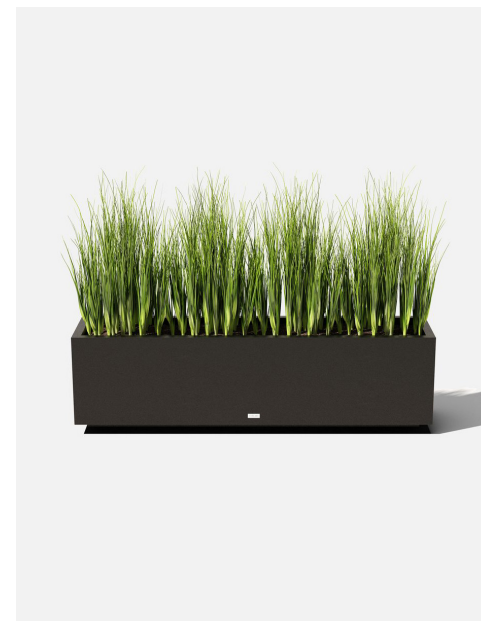
drainage holes  
drainage plugs included  
commercial grade construction

**long box  
extra large**

60" L x 15" W x 16.25" H  
Weight: 64 lbs  
Capacity: 64.2 gal | 243.2 L



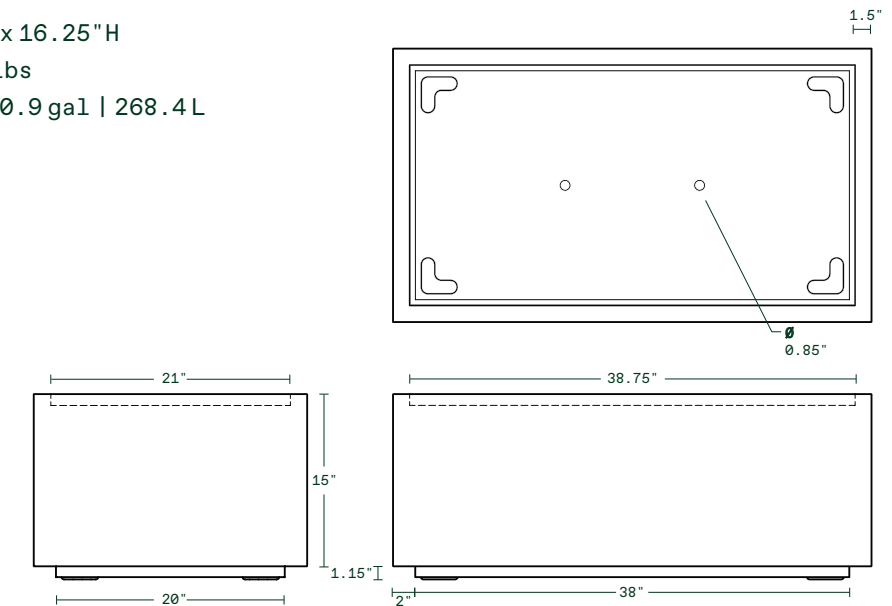
Interior Dimensions



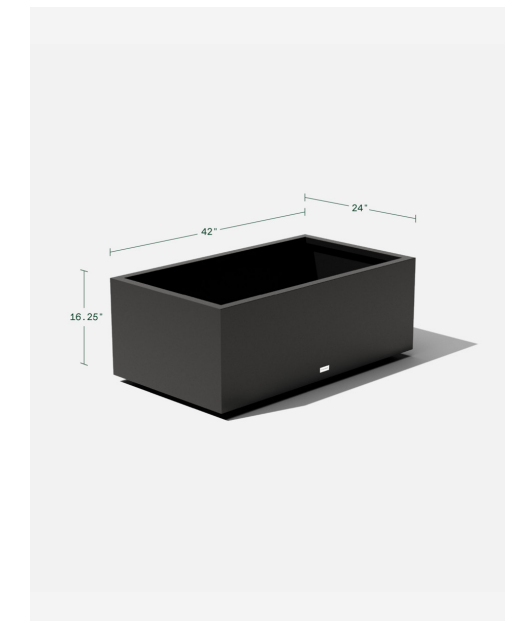
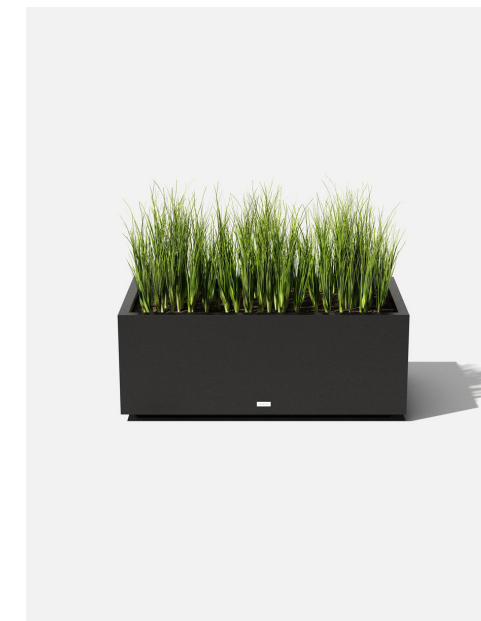
Exterior Dimensions

**long box  
wide**

42" L x 24" W x 16.25" H  
Weight: 58 lbs  
Capacity: 70.9 gal | 268.4 L



Interior Dimensions



Exterior Dimensions