

corten steel series

pedestal planter

corten steel*



* all corten steel products arrive in their raw steel (unrusted) state as shown in contents page.




materials

made from 16 gauge corten steel

features

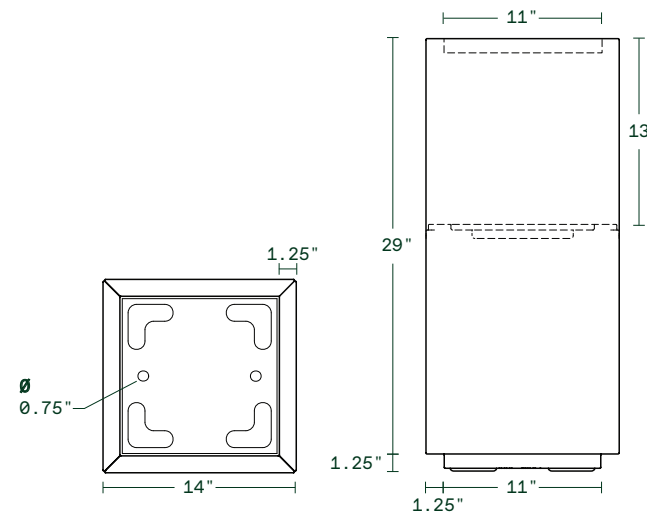
- all weather resistant
- foam insulation
- drainage hole
- commercial grade construction
- easy installation
- drainage plugs included
- tall planter ONLY: optional drip tray
- assembly required

hardware included

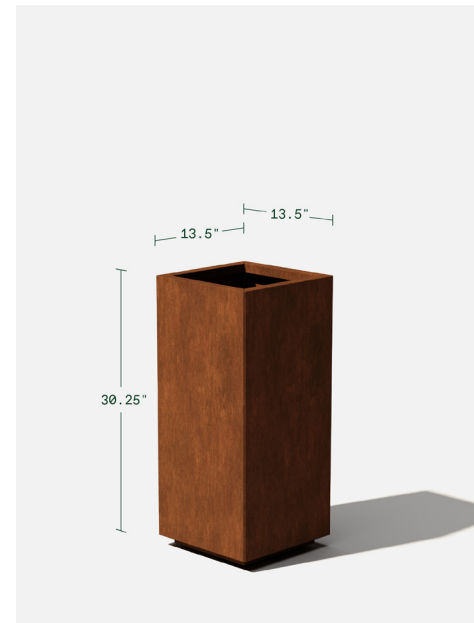
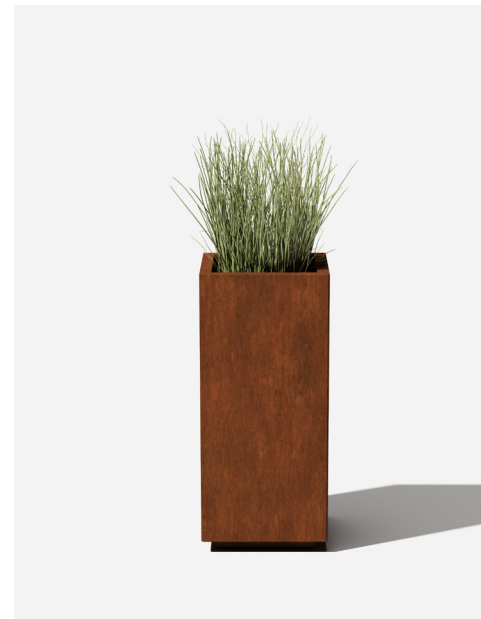
-  butterfly nut - m6 x 1mm thread
-  hex bolt - m6 x 1mm thread, 12mm long
-  floating snap-in nut - m6 x 1mm thread

pedestal short

13.5"L x 13.5"W x 30"H
weight: 36 lbs
capacity: 23.6 gal | 89.4 L
capacity with shelf: 10.2 gal | 38.7 L



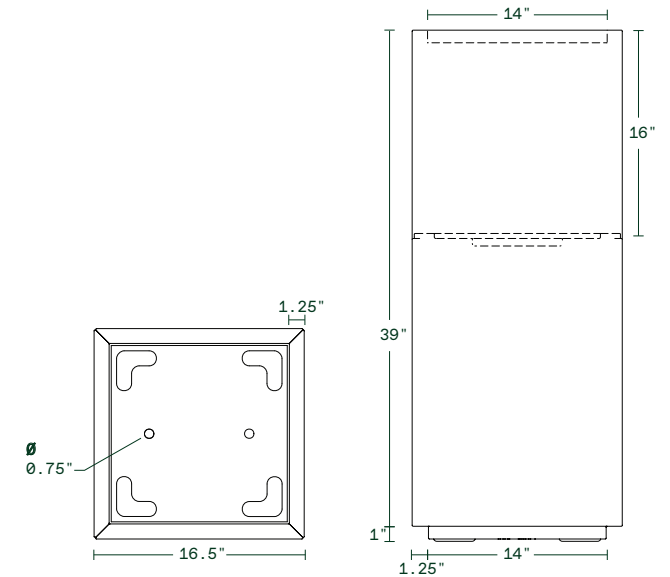
interior dimensions



exterior dimensions

pedestal tall

16.5"L x 16.5"W x 40"H
weight: 61 lbs
capacity: 47.1 gal | 178.4 L
capacity with shelf: 18.8 gal | 71.3 L



interior dimensions



exterior dimensions