

## corten steel series

# cube planter

### corten steel\*



\* all corten steel products arrive in their raw steel (unrusted) state as shown in contents page.




### materials

made from 16 gauge corten steel

### features

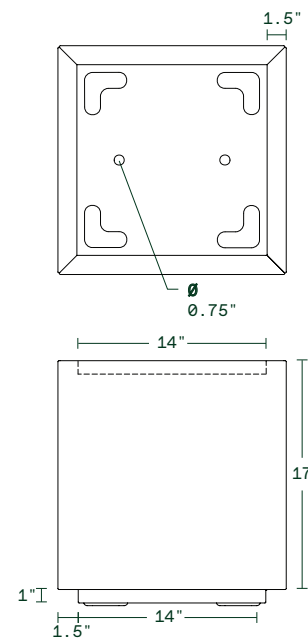
- all weather resistant
- commercial grade construction
- foam insulation
- drainage plugs included
- drainage holes
- easy installation
- assembly required

### hardware included

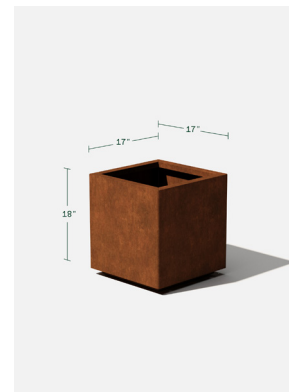
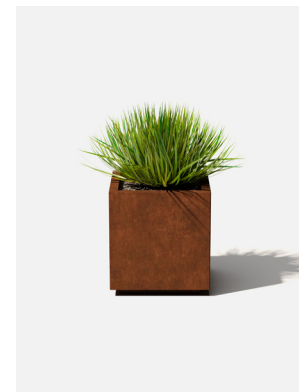
-  butterfly nut - m6 x 1mm thread
-  hex bolt - m6 x 1mm thread, 12mm long
-  floating snap-in nut - m6 x 1mm thread

### cube small

17"L x 17"W x 18"H  
weight: 26 lbs  
capacity: 22.5 gal | 85.2 L



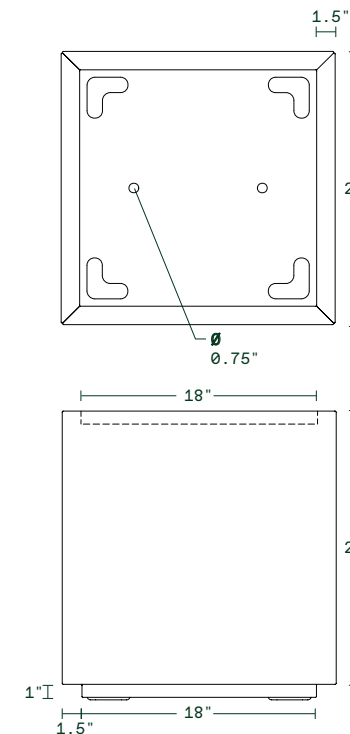
interior dimensions



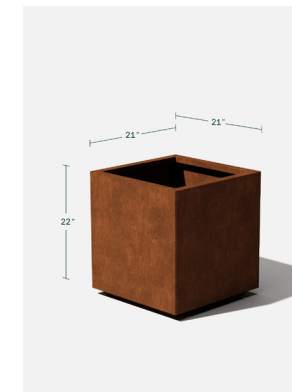
exterior dimensions

### cube medium

21"L x 21"W x 22"H  
weight: 39 lbs  
capacity: 42 gal | 158.9 L



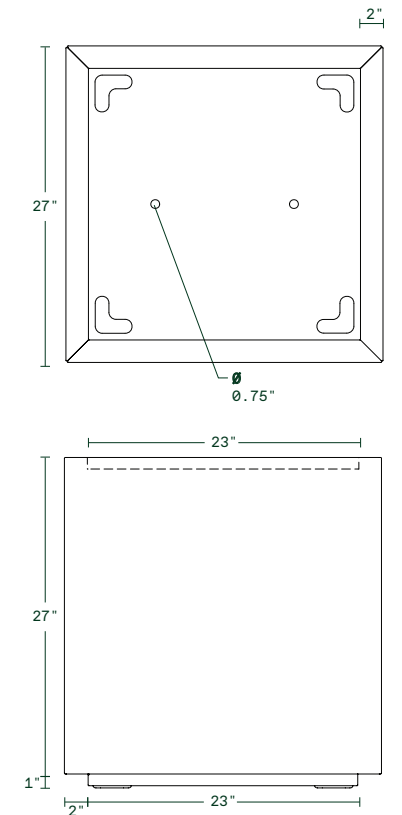
interior dimensions



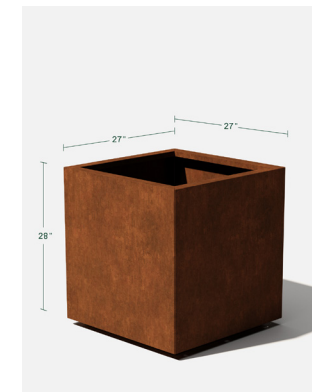
exterior dimensions

### cube large

27"L x 27"W x 28"H  
weight: 67 lbs  
capacity: 88.3 gal | 334.5 L



interior dimensions



exterior dimensions