

corten steel series

window box planter

corten steel*



*all corten steel products arrive in their raw steel (unrusted) state as shown in contents page.

materials

made from 16 gauge corten steel

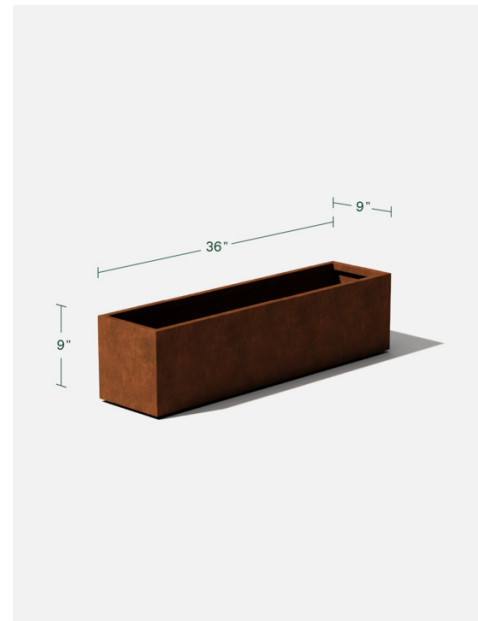
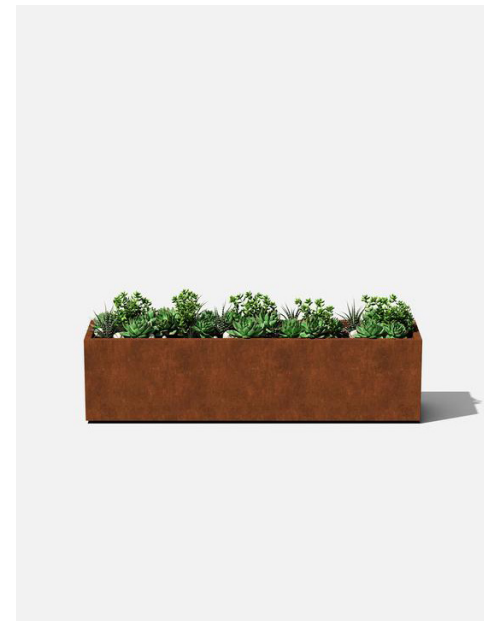
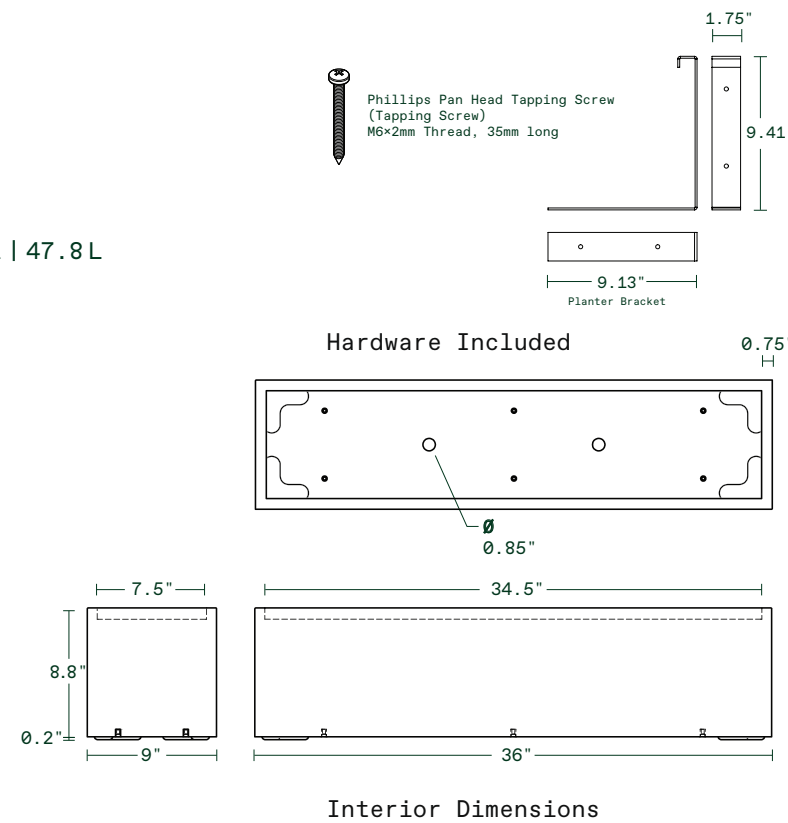
features

- all weather resistant
- foam insallation
- drainage holes
- commercial grade construction

- planter bracket included
- drainage plugs included

window box thirty-six

36" L x 9" W x 9" H
 Weight: 24 lbs
 Capacity: 12.6 gal | 47.8 L



railing planter forty-eight

48" L x 9" W x 9" H
 Weight: 30 lbs
 Capacity: 16.8 gal | 63.7 L

