

## corten steel series

# span planter

### corten steel\*

\*all corten steel products arrive in their raw steel (unrusted) state as shown in contents page.

### materials

made from 16 gauge corten steel

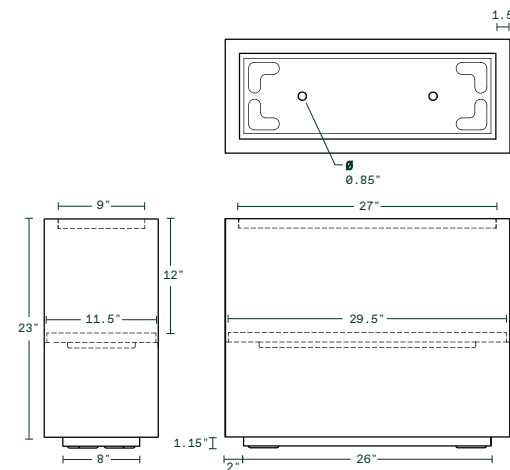
### features

all weather resistant  
foam insulation  
drainage holes  
optional drip tray

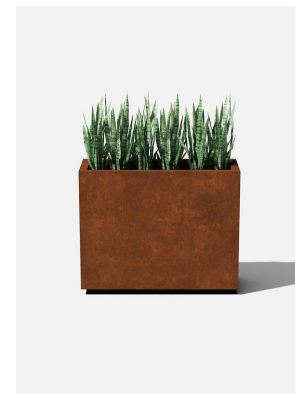
commercial grade construction  
insert shelf included

### span short

30"L x 12"W x 24"H  
Weight: 53 lbs  
Capacity: 37.4 gal | 141.5 L  
Capacity with Shelf: 18.7 gal | 70.7 L



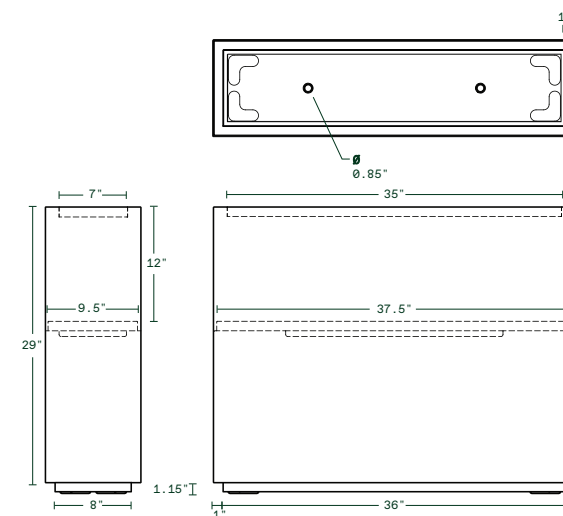
Interior Dimensions



Exterior Dimensions

### span medium

38"L x 10"W x 30"H  
Weight: 69 lbs  
Capacity: 49.3 gal | 186.8 L  
Capacity with Shelf: 19.7 gal | 74.7 L



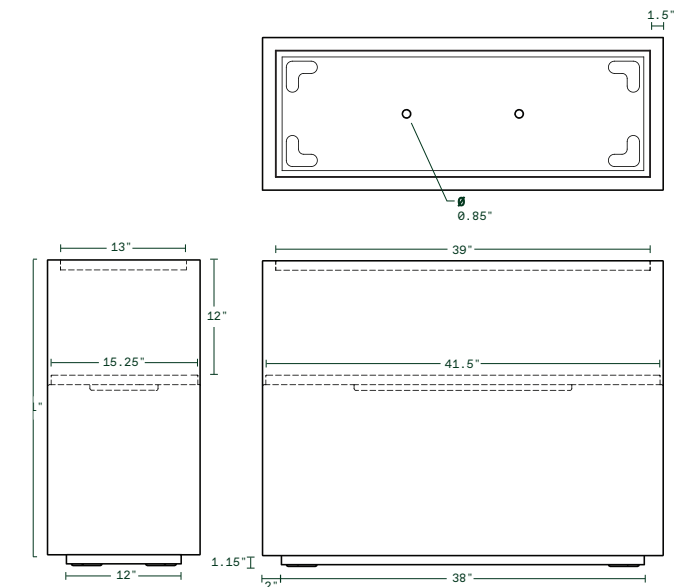
Interior Dimensions



Exterior Dimensions

### span large

42"L x 16"W x 32"H  
Weight: 86 lbs  
Capacity: 93 gal | 352.3 L  
Capacity with Shelf: 34.9 gal | 132.1 L



Interior Dimensions



Exterior Dimensions