

corten steel series

round bowl planter

corten steel*



*all corten steel products arrive in their raw steel (unrusted) state as shown in contents page.

materials

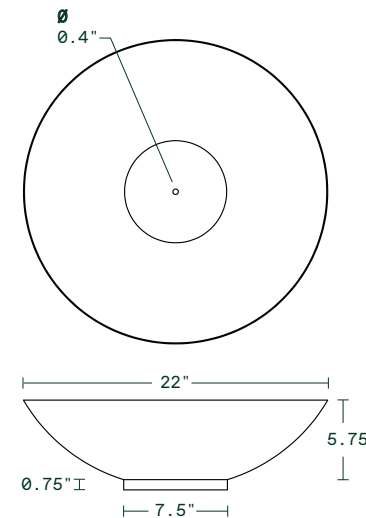
made from 16 gauge corten steel

features

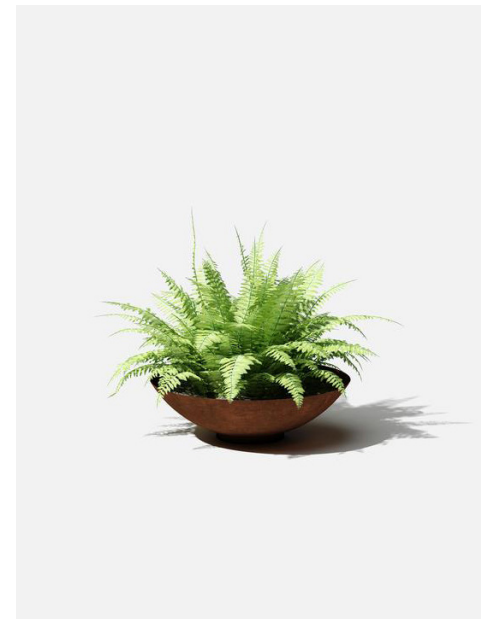
drainage hole
commercial grade construction

round box twenty-two

22"D x 6.5"H
Weight: 8 lbs
Capacity: 5.7 gal | 21.6 L



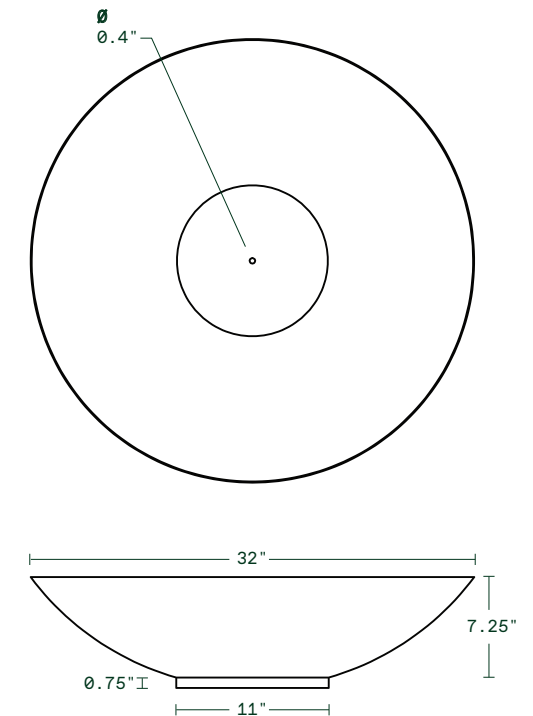
Interior Dimensions



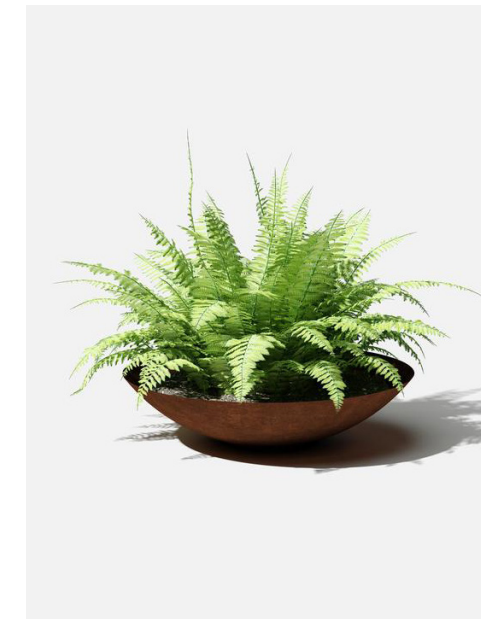
Exterior Dimensions

round box thirty-two

32"D x 8"H
Weight: 14 lbs
Capacity: 15 gal | 56.8 L



Interior Dimensions



Exterior Dimensions