

corten steel series

pedestal planter

corten steel*



*all corten steel products arrive in their raw steel (unrusted) state as shown in contents page.

materials

made from 16 gauge corten steel

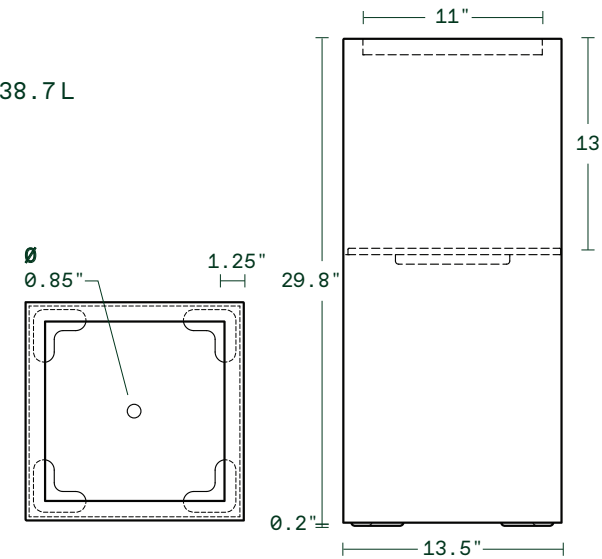
features

all weather resistant
foam insulation
drainage hole
commercial grade construction

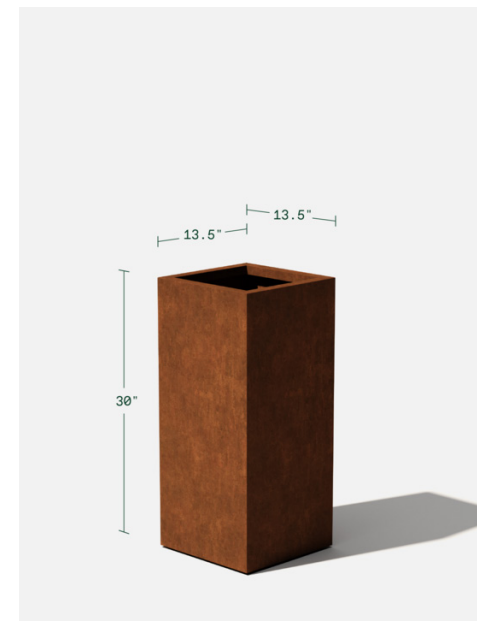
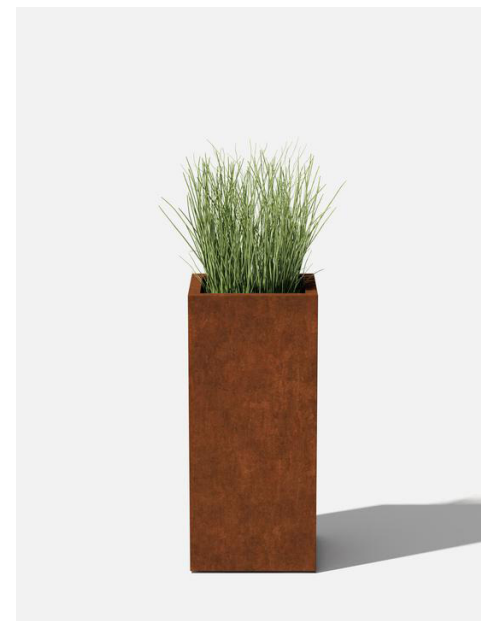
drainage plugs included
tall planter ONLY:
optional drip tray

pedestal short

13.5"L x 13.5"W x 30"H
Weight: 36 lbs
Capacity: 23.6 gal | 89.4 L
Capacity with Shelf: 10.2 gal | 38.7 L



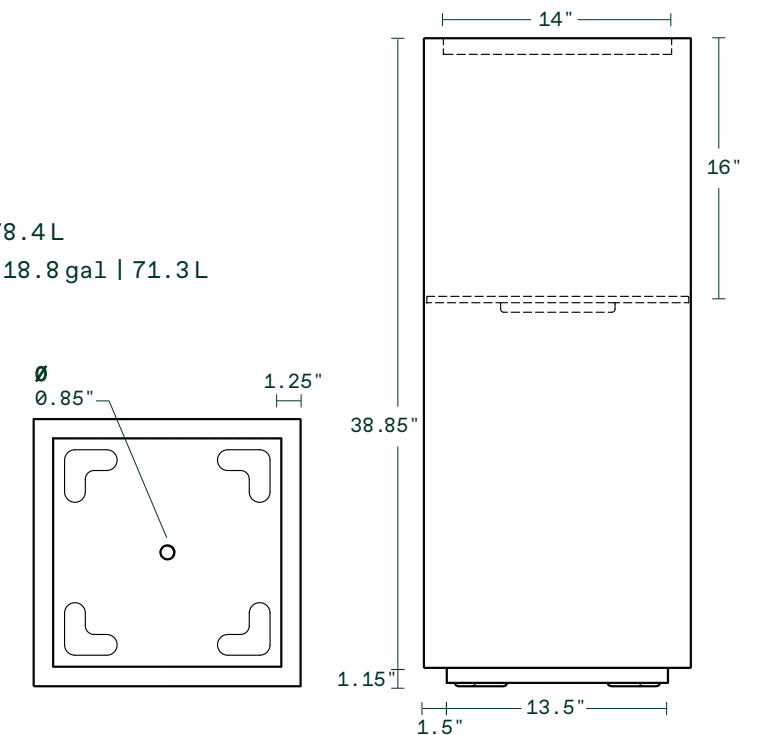
Interior Dimensions



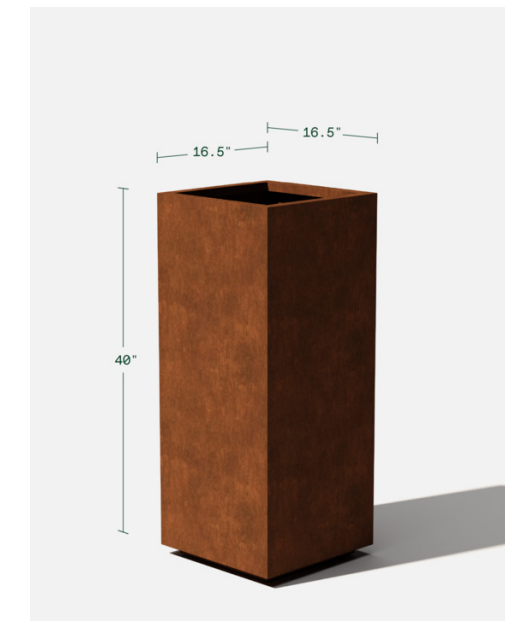
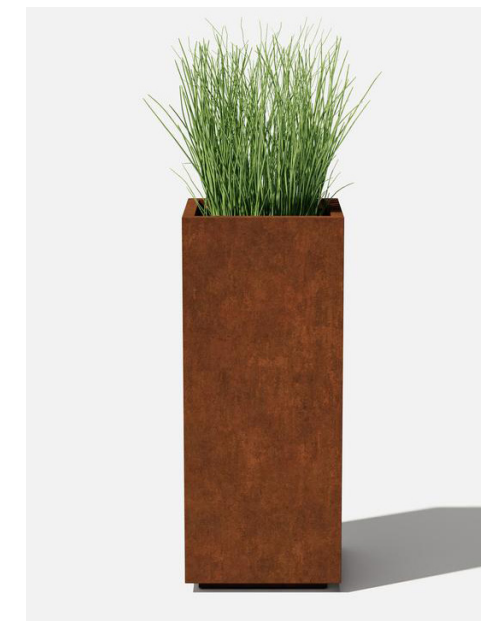
Exterior Dimensions

pedestal tall

16.5"L x 16.5"W x 40"H
Weight: 61 lbs
Capacity: 47.1 gal | 178.4 L
Capacity with Shelf: 18.8 gal | 71.3 L



Interior Dimensions



Exterior Dimensions