

corten steel series

cube planter

corten steel*

*all corten steel products arrive in their raw steel (unrusted) state as shown in contents page.

materials

made from 16 gauge corten steel

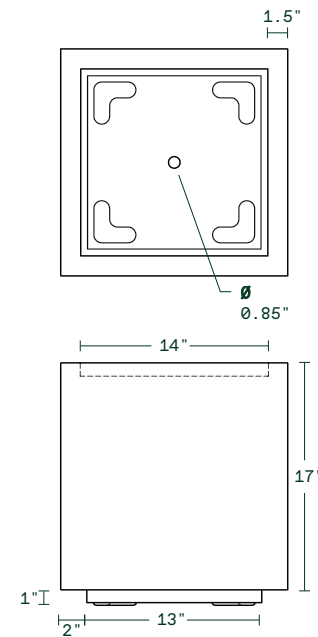
features

all weather resistant
foam insulation
drainage hole
optional drip tray

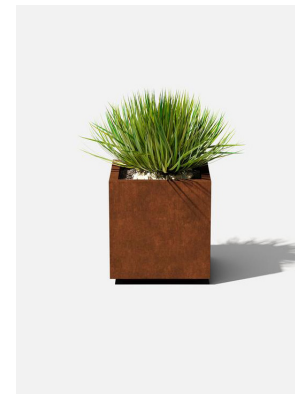
commercial grade construction
drainage plugs included

cube small

17" L x 17" W x 18" H
Weight: 26 lbs
Capacity: 22.5 gal | 85.2 L



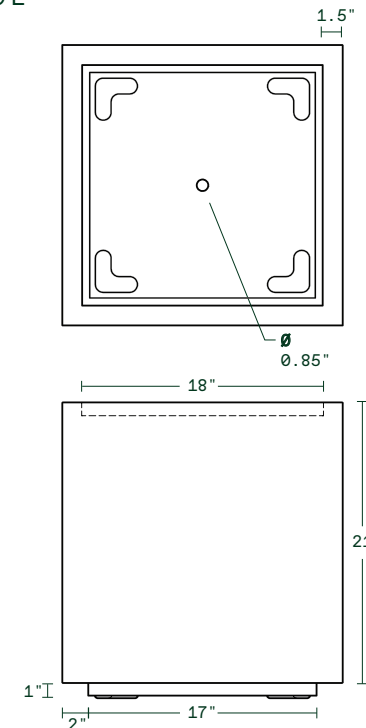
Interior Dimensions



Exterior Dimensions

cube medium

21" L x 21" W x 22" H
Weight: 39 lbs
Capacity: 42 gal | 158.9 L



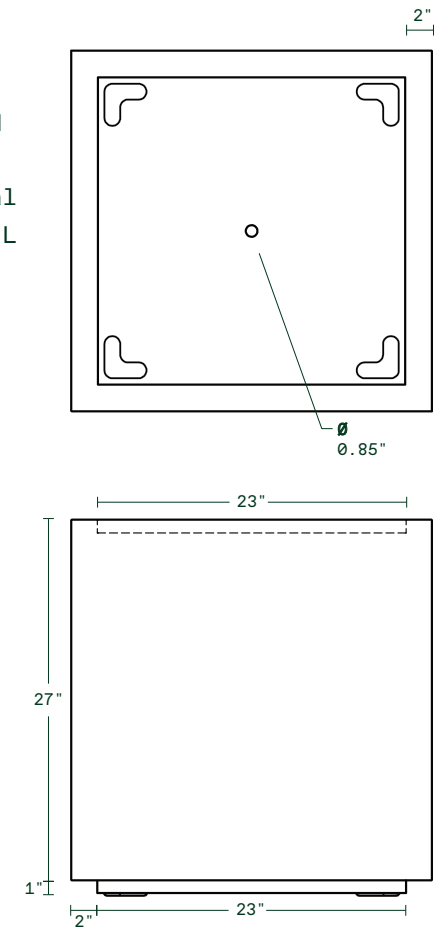
Interior Dimensions



Exterior Dimensions

cube large

27" L x 27" W x 28" H
Weight: 67 lbs
Capacity: 88.3 gal | 334.5 L



Interior Dimensions



Exterior Dimensions