

brixton series

long planter

long thirty-three

33"L x 16"W x 17.5"H
Weight: 29 lbs
Capacity: 15.7 gal | 59.6 L
Capacity with Shelf: 12.7 gal | 48.4 L



Phillips Rounded Head
Thread-Forming Screw
Number 10 Size, 1/2" Long

Hardware Included

black



white



gray



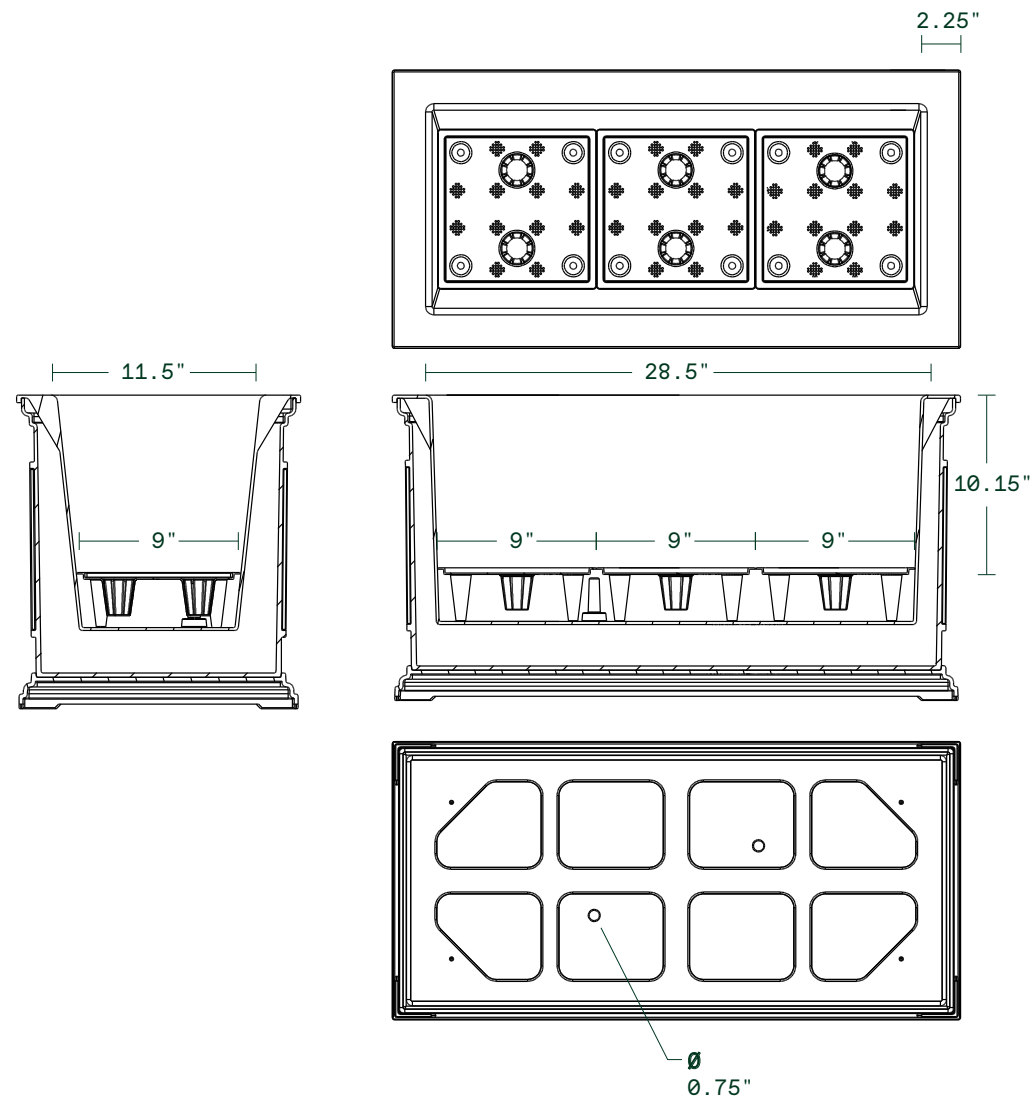
materials

durable polypropylene construction
made in canada

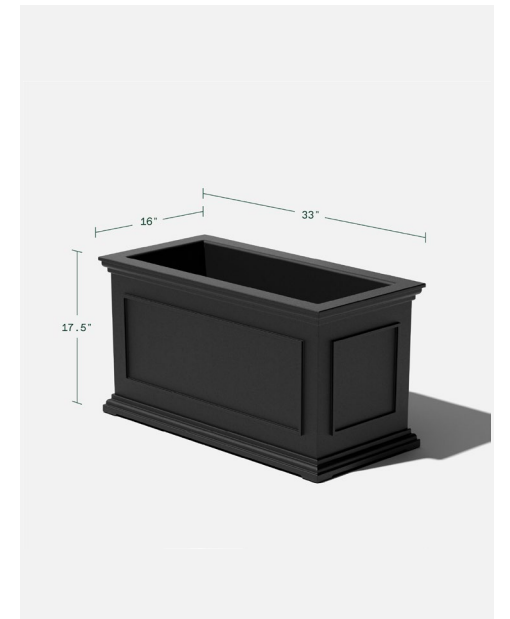
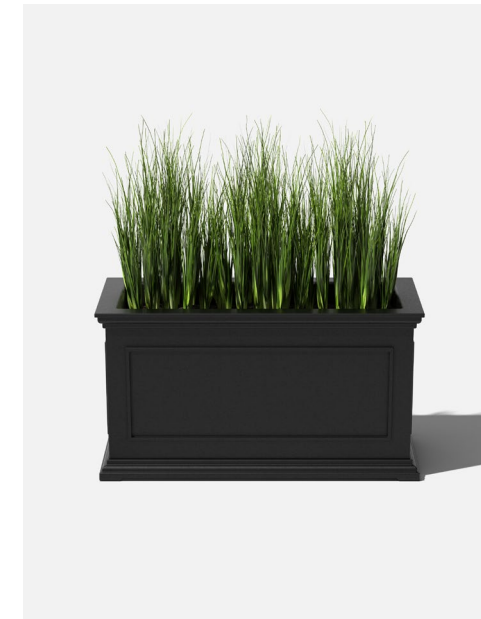
features

all weather resistant
crack proof
fade resistant
scratch resistant

drainage holes
5 year limited
warranty



Interior Dimensions



Exterior Dimensions