

brixton series

# window box planter with bracket

## window box thirty-six with brackets

36"L x 11"W x 11"H

Weight: 26 lbs

Capacity: 7.6 gal | 34.6 L

black



white



gray

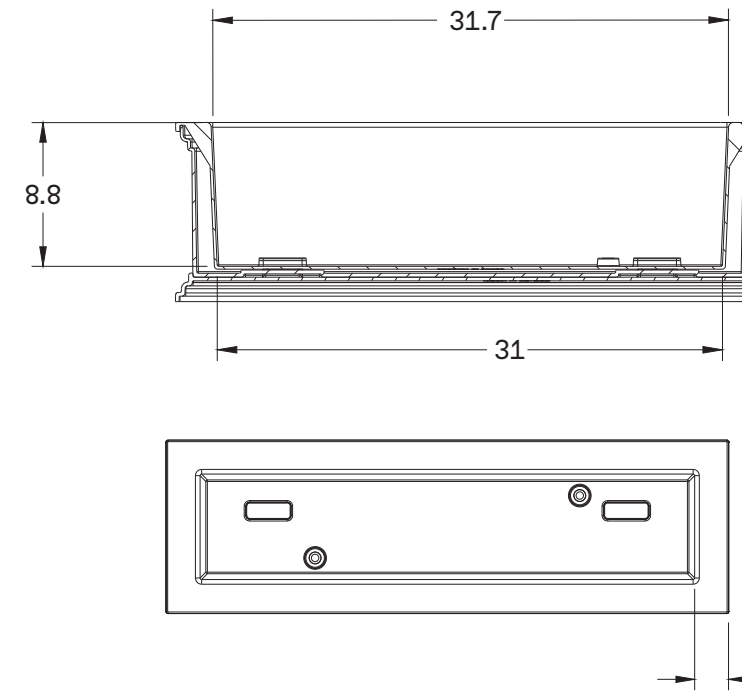


### materials

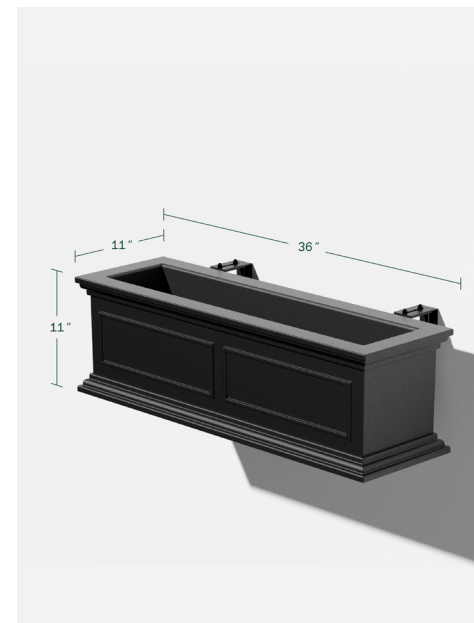
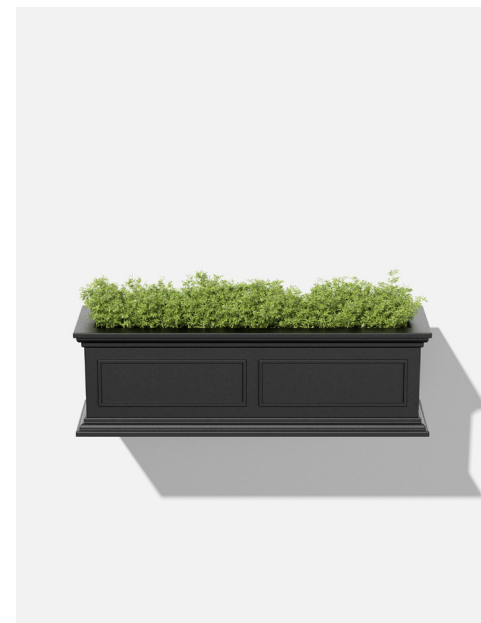
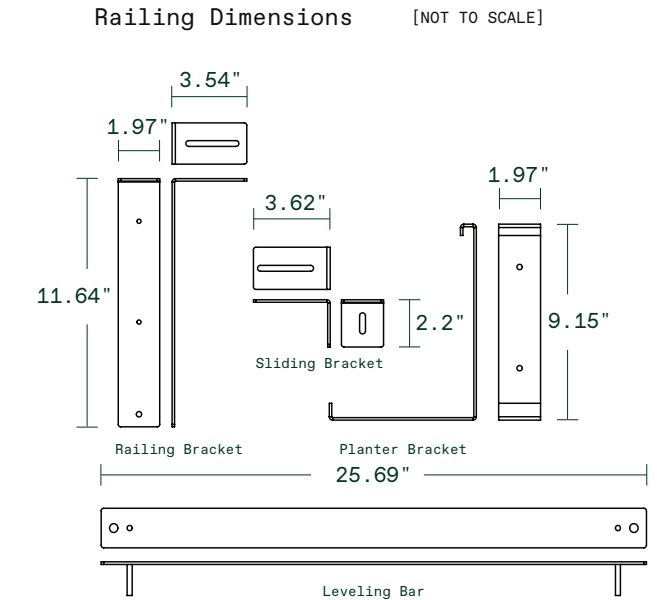
durable polypropylene construction  
thick gauge galvanized steel brackets  
made in canada

### features

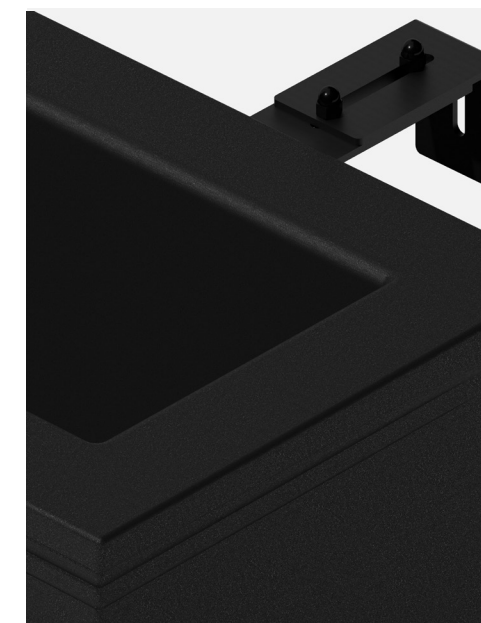
all-weather resistant      drainage holes  
crack proof                      5 year limited warranty  
fade resistant  
scratch resistant





Interior Dimensions




Exterior Dimensions




 Phillips Rounded Head Thread-Forming Screw  
Number 10 Size, 1/2" Long

 Round Head Square Neck Screw (slider bolt)  
M6x1mm Thread, 12mm Long

 Phillips Pan Head Screw  
M6x1mm Thread, 8mm Long

 Cap Nut  
M6x1mm Thread

 Hex Nut  
M6x1mm Thread

Hardware Included